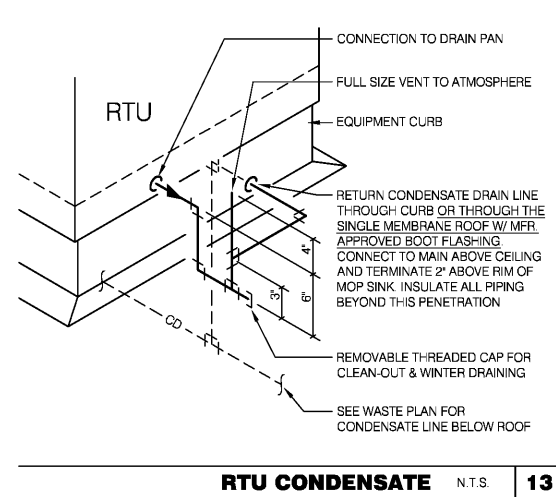
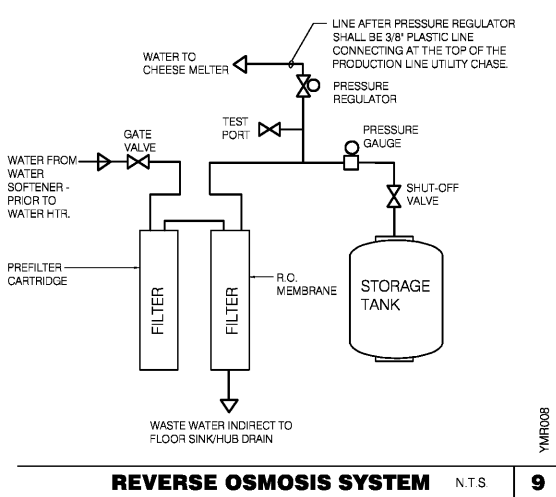


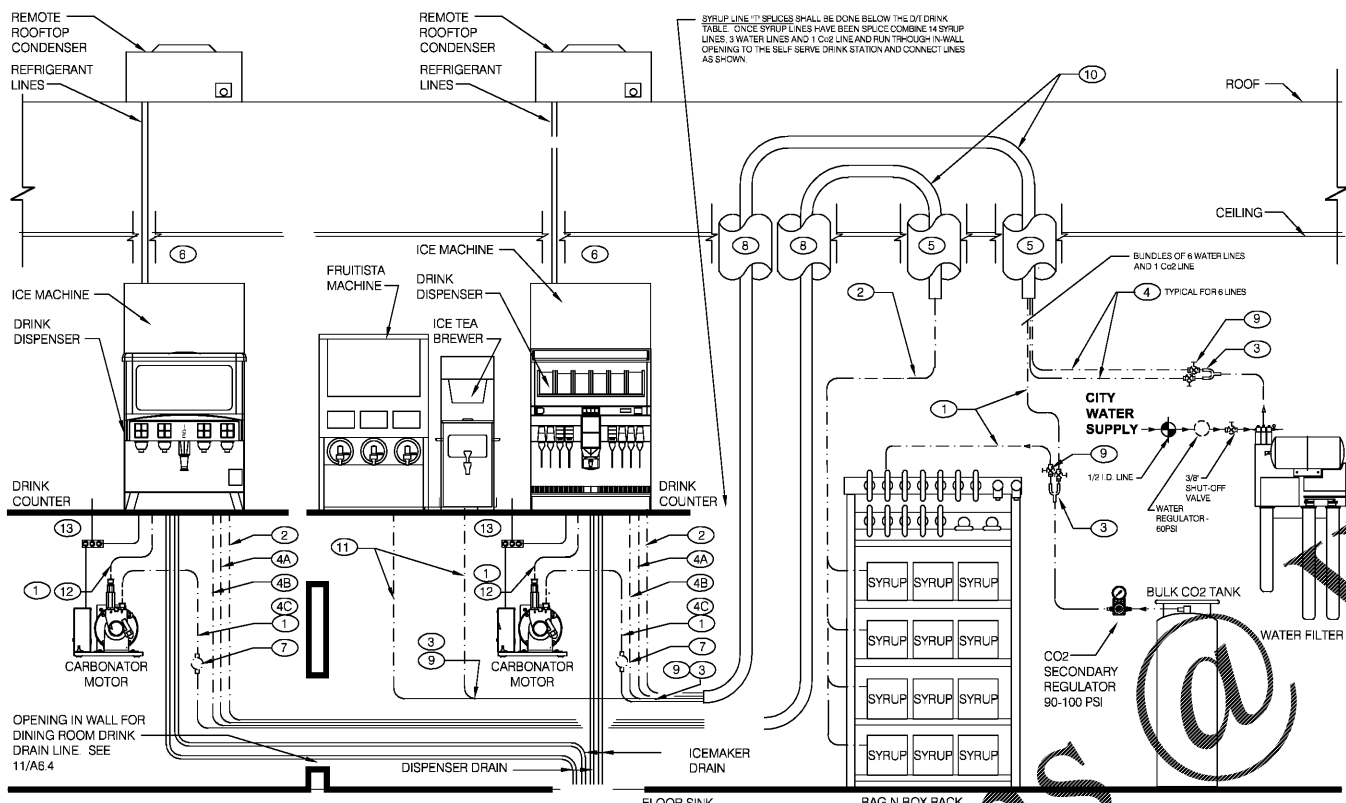
TEMPERING VALVE N.T.S. 17



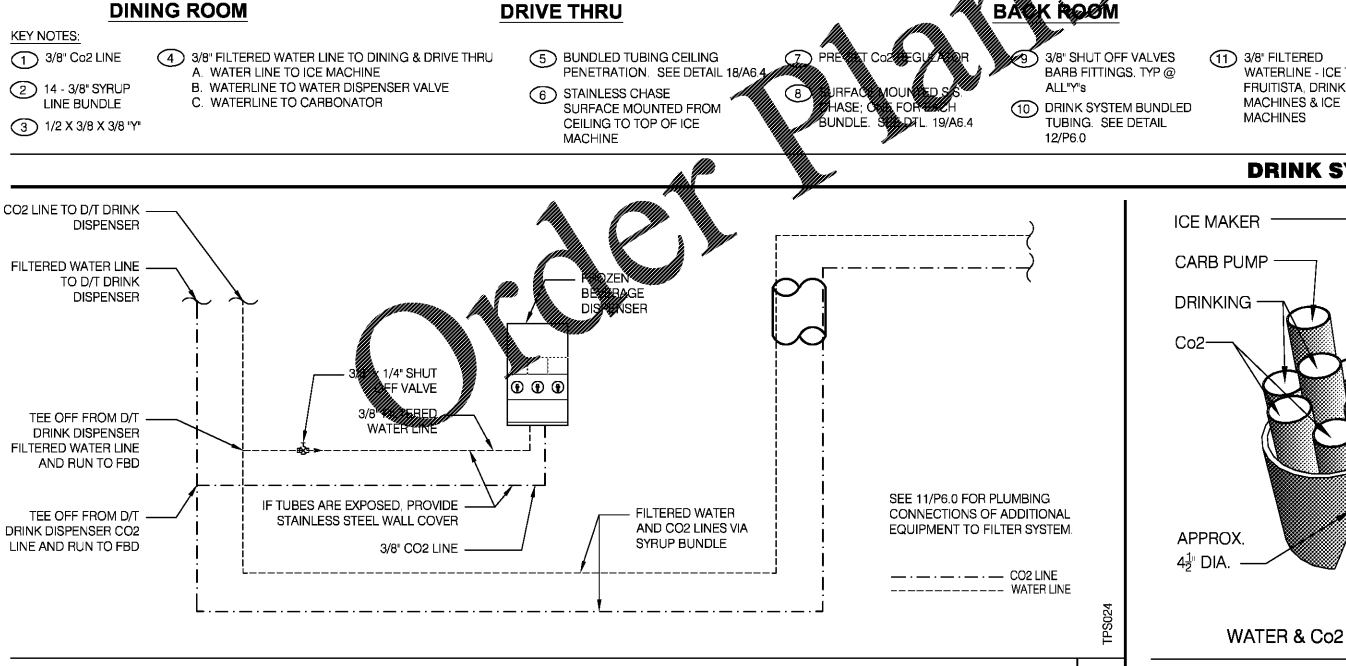
RTU CONDENSATE N.T.S. 13



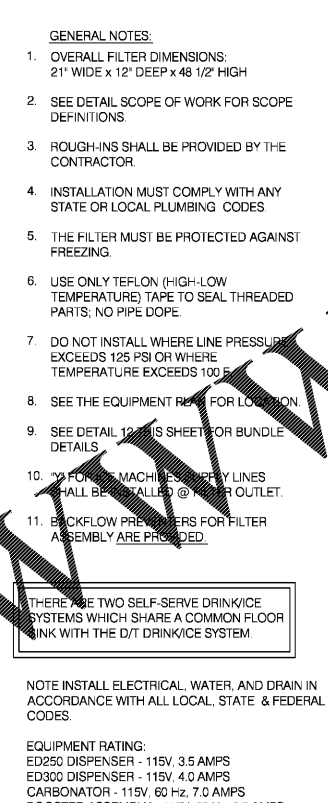
REVERSE OSMOSIS SYSTEM N.T.S. 9



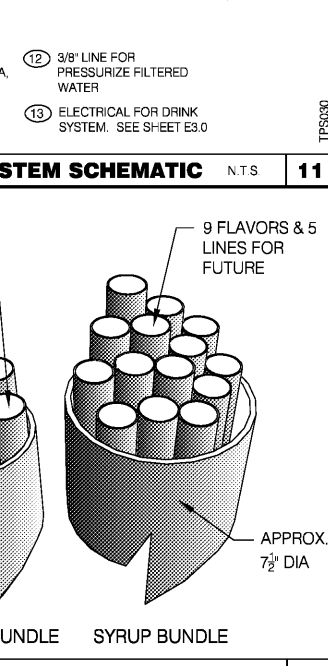
DRINK SYSTEM SCHEMATIC N.T.S. 11



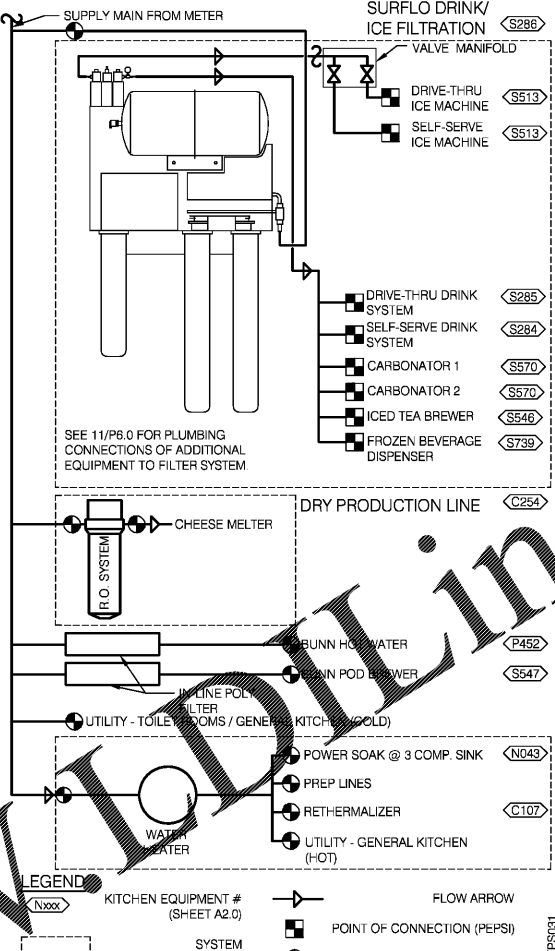
FBD DRINK SYSTEM DETAIL N.T.S. 16



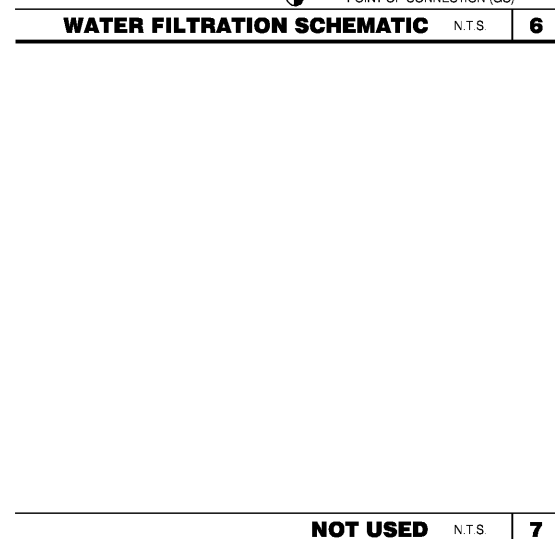
WATER FILTRATION SCHEMATIC N.T.S. 6



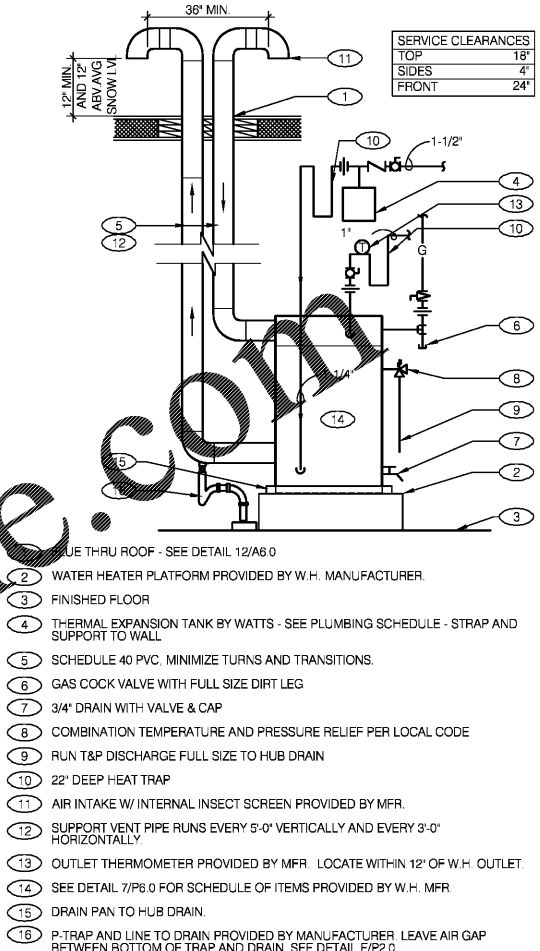
DRINK MACH. BUNDLE CONFIG. N.T.S. 12



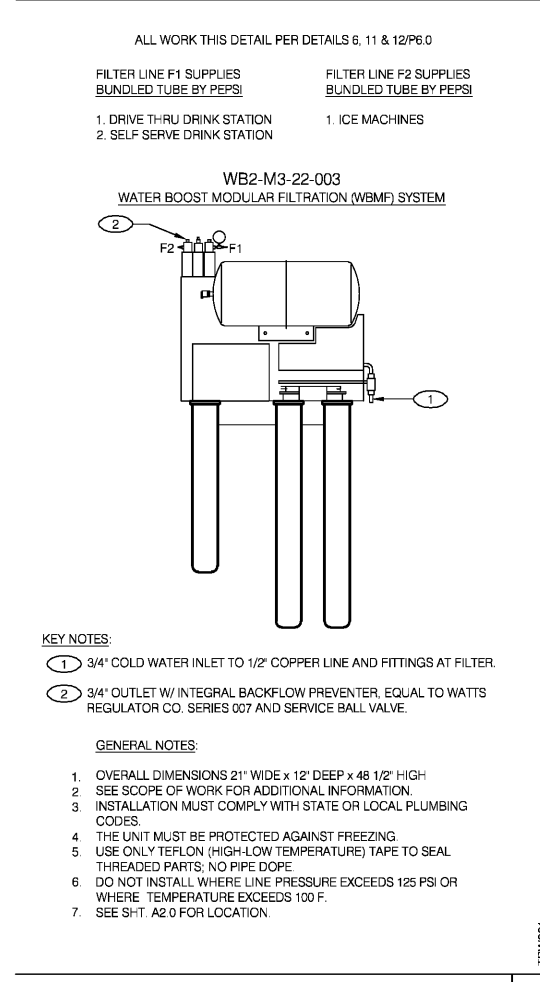
WATER FILTER SYSTEM N.T.S. 4



LAVATORY SUPPORT N.T.S. 8



WATER HEATER N.T.S. 2



WATER FILTER SYSTEM N.T.S. 4

ROBERT L. QUEATHEN
 ENGINEER
 1950 CRAIG ROAD, SUITE 300 ST. LOUIS, MO 63146
 PH. (314) 415-2400 FAX (314) 415-2300 www.rfv.com

CONTRACT DATE: XXXX/20
 BUILDING TYPE: ENDEAVOR MED 40
 PLAN VERSION: SEPT 2020
 BRAND DESIGNER: 200109
 SITE NUMBER: 297222
 STORE NUMBER: 003717

TACO BELL
 8151 HWY 278 NW
 COWINGTON, GA 30014

TACO BELL
 ENDEAVOR
 "GO MOBILE"

PLUMBING DETAILS
P6.0