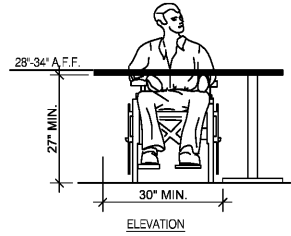
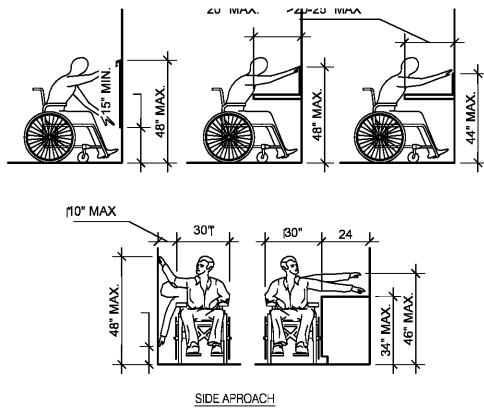


TOTAL SEATS	ACCESSIBLE SEATS
1 - 20	1
21 - 40	2
41 - 60	3
61 - 80	4
81 - 100	5
101 - 120	6
121 - 140	7

NUMBER OF ACCESSIBLE SEATS



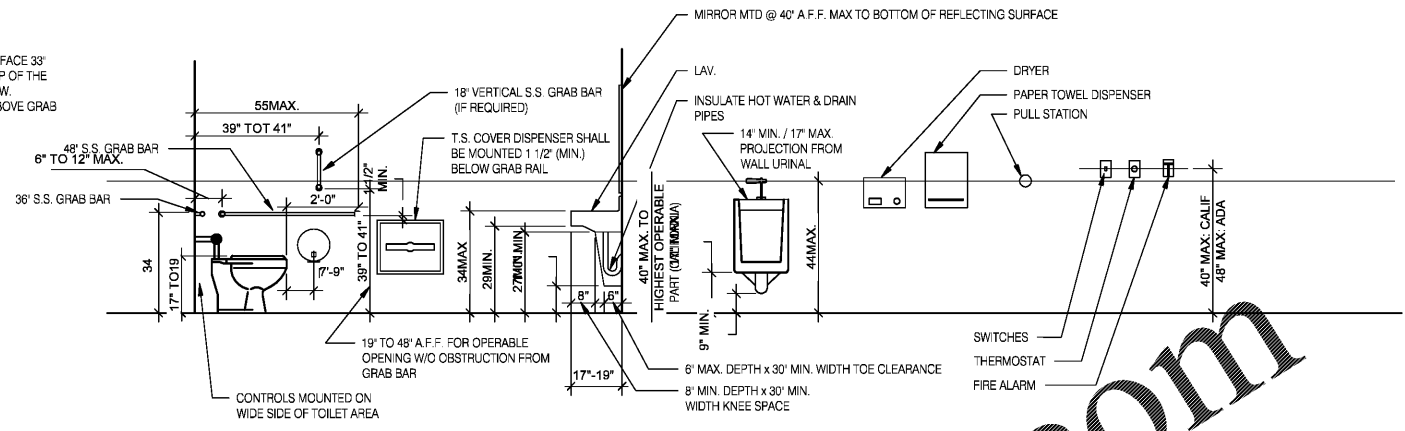
SEATING AND TABLES 1/2" = 1'-0" 18



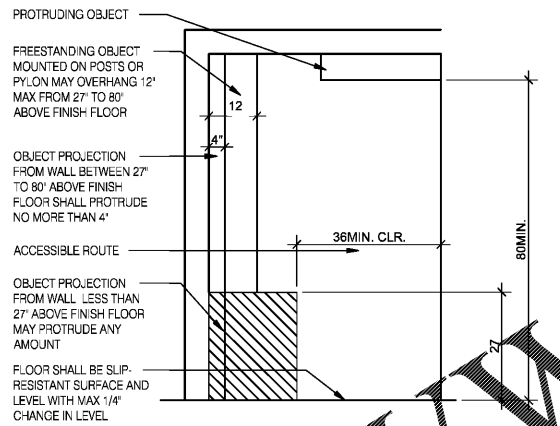
REACH RANGES 1/4" = 1'-0" 13

NOTES

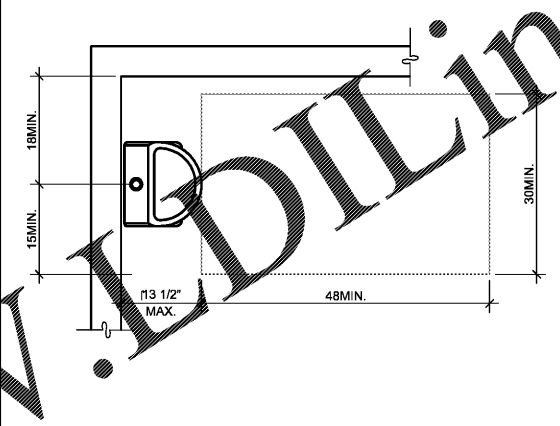
- TOP OF GRIPPING SURFACE 33" TO 36" MAX TO THE TOP OF THE BAR. SEE NOTES BELOW.
- 12" MINIMUM CLEAR ABOVE GRAB BAR.



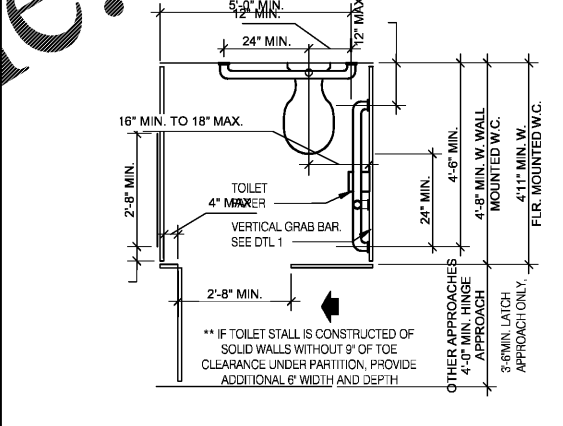
MOUNTING HTS. & CLEARANCES FOR ACCESSIBILITY BY THE DISABLED 3/8" = 1'-0" 1



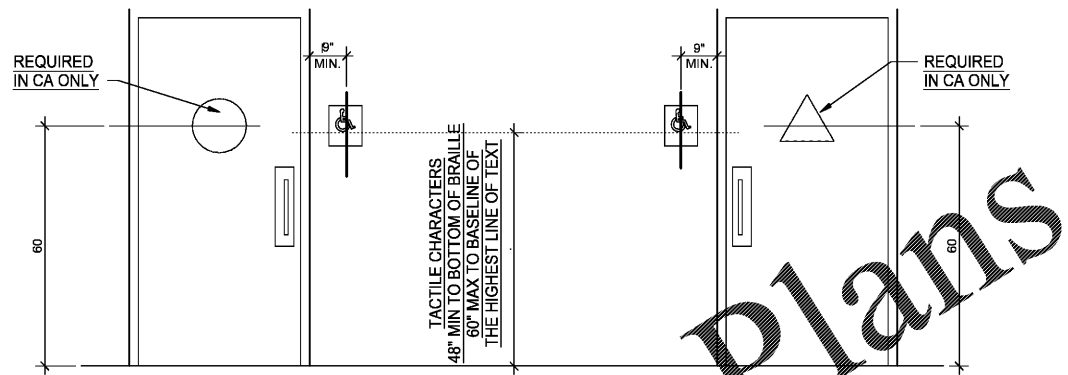
INT. ACCESS. ROUTE CLEARANCES 1/2" = 1'-0" 10



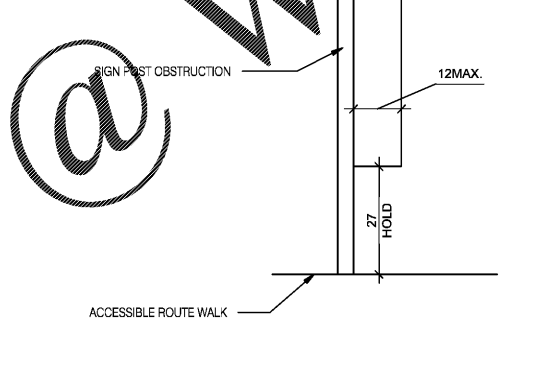
ACCESSIBLE URINAL 3/4" = 1'-0" 6



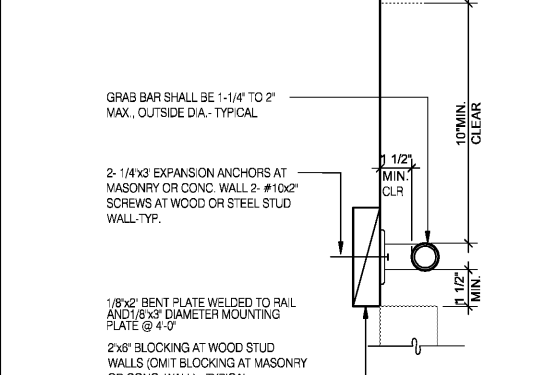
STANDARD TOILET STALL 1/2" = 1'-0" 2



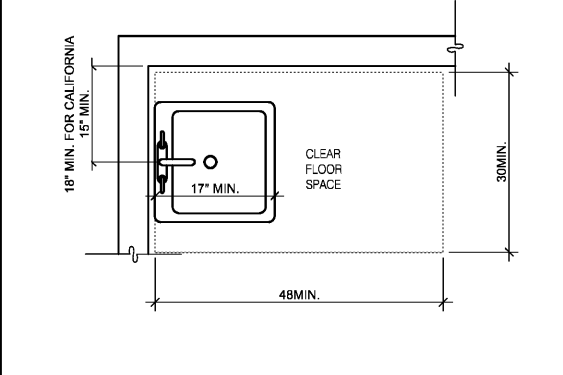
ACCESSIBLE RESTROOM DOORS N.T.S. 15



PROTRUDING HAZARDS 1/2" = 1'-0" 11



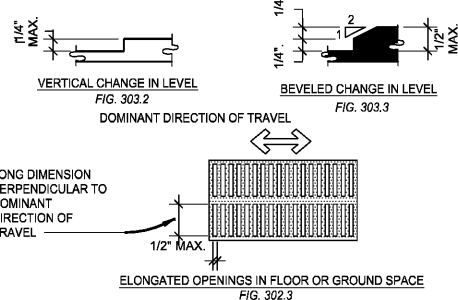
GRAB BAR 3'-1'-0" 7



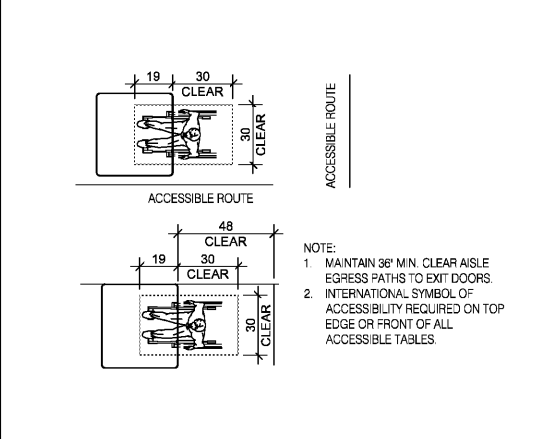
ACCESSIBLE LAVATORY 3/4" = 1'-0" 3

NOTES

- FLOOR AND GROUND SURFACES SHALL BE STABLE, FIRM AND SLIP RESISTANT.
- CARPET OR CARPET TILE SHALL BE SECURELY ATTACHED AND SHALL HAVE A FIRM CUSHION, PAD OR BACKING OR NO CUSHION OR PAD. CARPET OR CARPET TILE SHALL HAVE A LEVEL LOOP, TEXTURED LOOP, LEVEL CUT PILE, LEVEL CUT/UNCUT PILE TEXTURE. PILE HEIGHT SHALL COMPLY WITH CARPET PILE HEIGHT FIGURE BELOW. EXPOSED EDGES OF CARPET SHALL BE FASTENED TO FLOOR SURFACES AND SHALL HAVE TRIM ON THE ENTIRE LENGTH OF THE EXPOSED EDGE. CARPET EDGE SHALL COMPLY WITH CHANGE IN LEVEL FIGURES BELOW.



CHANGES IN LEVEL N.T.S. 12



DINING ROOM SEATING CLEARANCES N.T.S. 8

- INDICATED DIMENSIONS, HEIGHTS, DEPTHS, AREAS AND OTHER GRAPHIC INFORMATION ARE PROVIDED AS MINIMUMS THAT MUST BE MAINTAINED. THESE MINIMUMS ARE BASED UPON ILM STANDARDS AND MAY EXCEED ADA REQUIREMENTS.
- 60" TURNING SPACE - PERMITTED OVERLAP LIMITED TO 1 ARM OF T-SHAPED SPACE - CAN OVERLAP FIXTURE & DOOR CLEARANCE - DOOR CAN SWING INTO TURNING SPACE A MAXIMUM OF 12"
- RESTROOM, IN GENERAL, DOOR SWING MUST BE OUTSIDE OF THE FIXTURE CLEAR FLOOR SPACE HOWEVER A DOOR CAN SWING INTO FIXTURE CLEAR FLOOR SPACE IF WHEELCHAIR SPACE 30"x48" IS PROVIDED BEYOND THE DOOR SWING.
- TOILET ROOM MUST ALLOW FOR SIDE TRANSFER - 42" BETWEEN FIXTURES.

GENERAL NOTES 4

Order Plans

FREDERICK J. GOGLIA
ARCHITECT, NCARB, PDI
1850 CRAIG ROAD, SUITE 300
ST. LOUIS, MO 63146
PH. (636) 415-2400 FAX (636) 415-2400
WWW.FRGO.COM

CONTRACT DATE: 11/17/20
BUILDING TYPE: ENDEAVOR MED 40
PLAN VERSION: SEPT 2020
BRAND DESIGNER: 200109
SITE NUMBER: 297222
STORE NUMBER: 003717
ARCVISION: 200188

TACO BELL
6151 HWY 278 NW
COVINGTON, GA 30014



ACCESSIBILITY REQUIREMENTS

ADA 1.0