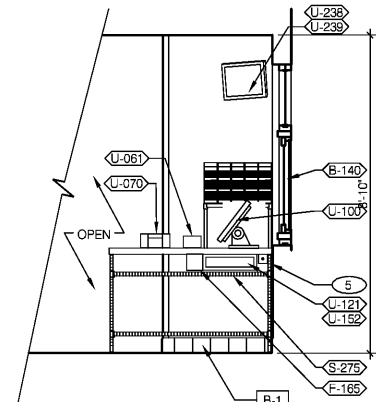
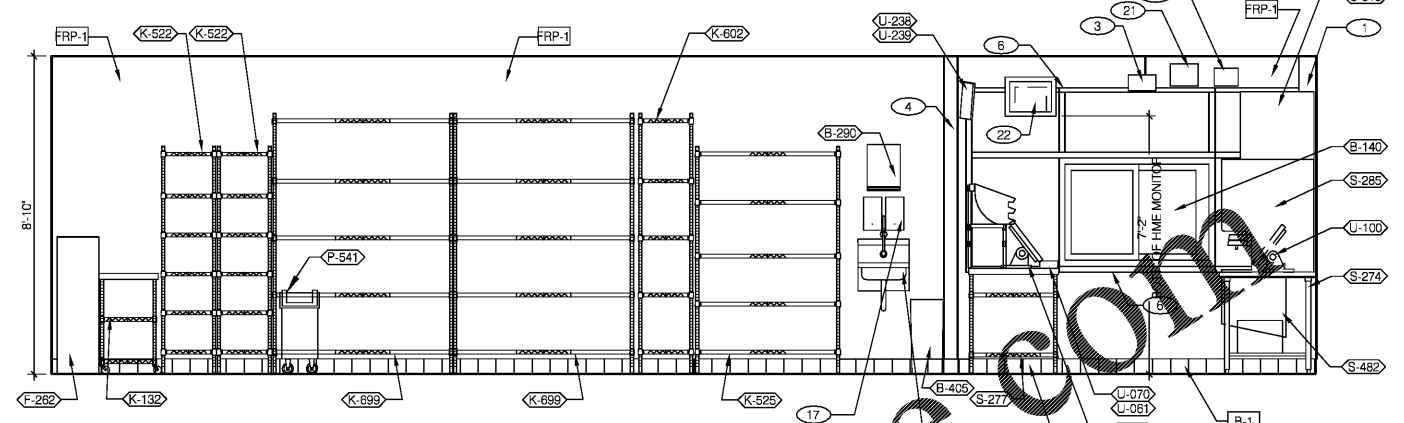


4



3

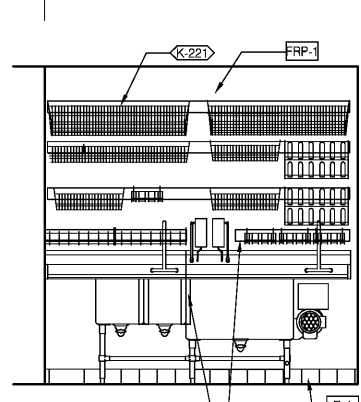


1

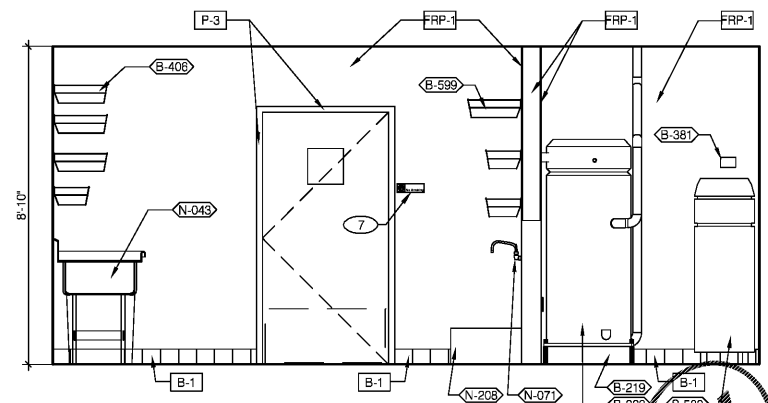
2

DRIVE-THRU 3/8" = 1'-0"

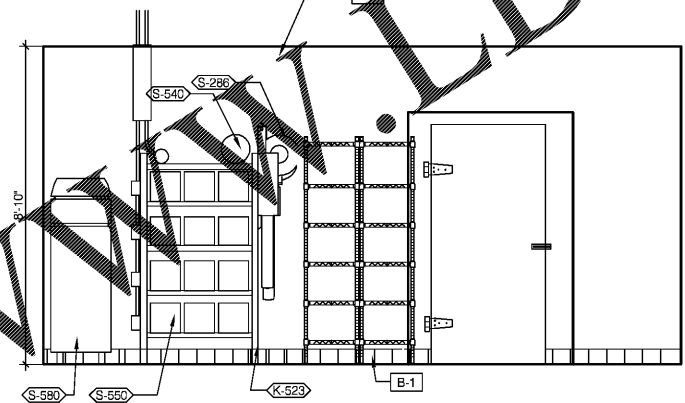
TB COOK / DRY STORAGE 3/8" = 1'-0"



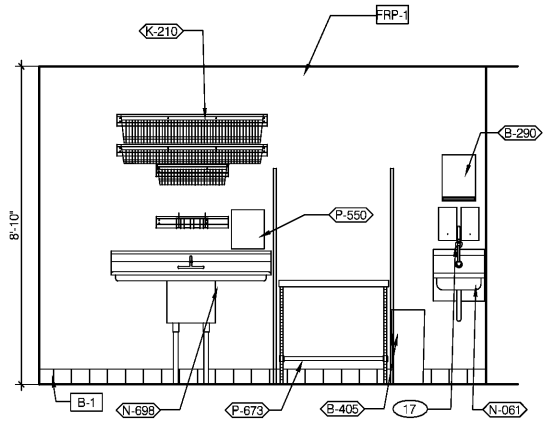
8



7



6

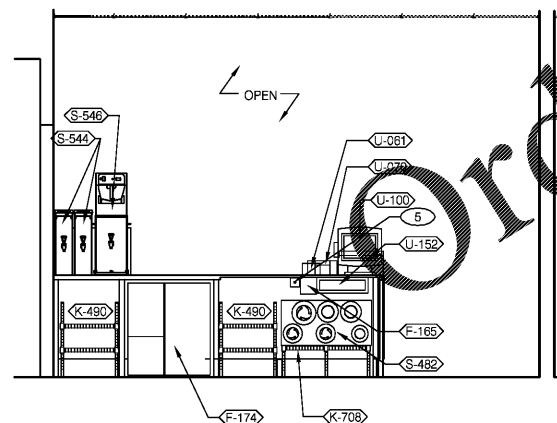


5

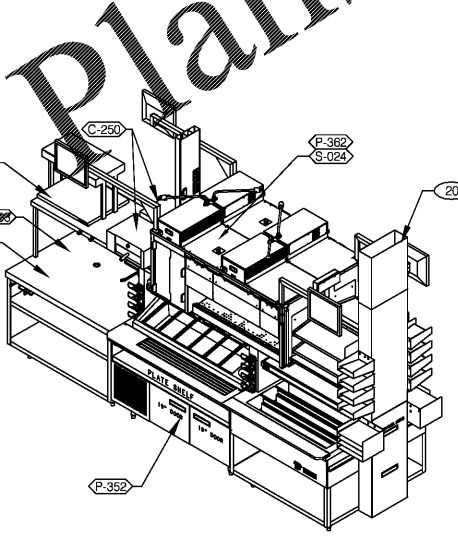
UTILITY 3/8" = 1'-0"

PREP 3/8" = 1'-0"

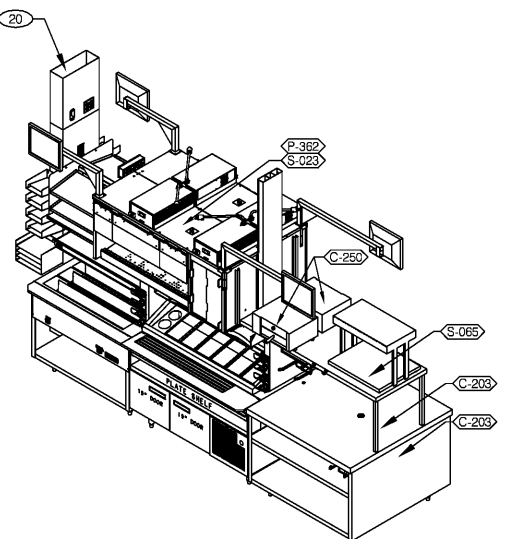
WARE WASHING 3/8" = 1'-0"



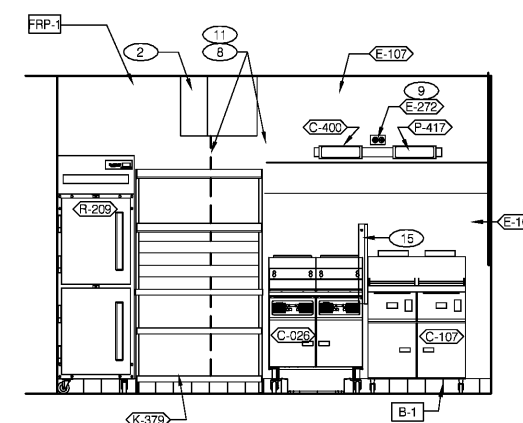
12



11



10



9

SERVING 3/8" = 1'-0"

EVO DUAL LINE 3/8" = 1'-0"

TB COOK / DRY STORAGE 3/8" = 1'-0"

- 1 6" STAINLESS STEEL CHASE FOR ICE MACHINE REFRIGERANT SYRUP LINES. SEE 19/A6.4
- 2 ANSUL CABINET.
- 3 DRIVE-THRU TIMER DISPLAY UNIT
- 4 SS CORNER / END WALL CHANNEL GUARD, FULL HEIGHT. SEE 19/A6.3
- 5 HOLD-UP BUTTON
- 6 SS CORNER GUARDS AT PERIMETER OF D/T WINDOW. SEE 6 & 7 / A6.1 AND SCOPE OF WORK FOR RESPONSIBILITIES.
- 7 NO SMOKING SIGN
- 8 EDGE OF SS PANEL BEHIND HOOD.
- 9 J-BOX AND OUTLET INCLUDED WITH HOOD. INSET WITH FLUSH WITH FACE OF HOOD
- 10 HOT WATER MACHINE SHELF SHALL BE MOUNTED 35" ABOVE THE FLOOR AND 3" FROM ADJACENT WALL
- 11 20 GA. STAINLESS STEEL PANEL BEHIND HOOD PER CODE.
- 12 GAS SHUT-OFF VALVE
- 13 GAS RISER. SUPPORT PER ADOPTED CODES.
- 14 WATER HEATER VENT. SEE PLUMBING DRAWINGS
- 15 SPLASHGUARD. SEE DETAIL 9/A6.3
- 16 CUT WALL-HANGING TRACK TO ALLOW SPACE FOR CLICK&CLEAN SYSTEM
- 17 SOAP / HAND SANITIZER DISPENSER - BY ECOLAB
- 18 ADJACENT TABLE TOPS TO BE INSTALLED AT SAME LEVEL. ADJUST IN THE FIELD AS REQUIRED.
- 19 DT TIMER ETHERNET SWITCH
- 20 UTILITY CHASE INCLUDED IN PRODUCTION LINE
- 21 DT TIMER SIGNAL PROCESSOR
- 22 DT TIMER MONITOR AND CONTROL UNIT

**FREDERICK J. GOGLIA**  
 ARCHITECT, NCARB, RDI  
 1950 CRAIG ROAD, SUITE 300  
 ST. LOUIS, MO 63146  
 PH. (314) 415-2400 FAX (314) 415-2300  
 www.rjg.com

CONTRACT DATE: 11/17/20  
 BUILDING TYPE: ENDEAVOR MED 40  
 PLAN VERSION: SEPT 2020  
 BRAND DESIGNER: 200109  
 SITE NUMBER: 297222  
 STORE NUMBER: 003717  
 ARCVISION: 200188

**TACO BELL**  
 6151 HWY 278 NW  
 COVINGTON, GA 30014

**ENDEAVOR**  
 "GO MOBILE"  
**INTERIOR ELEVATIONS KITCHEN**

**A8.2**