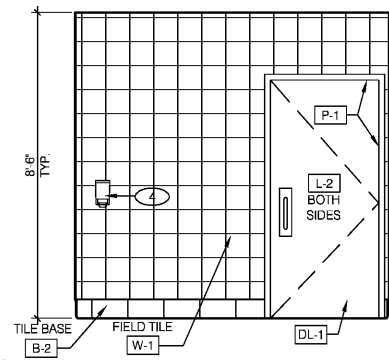
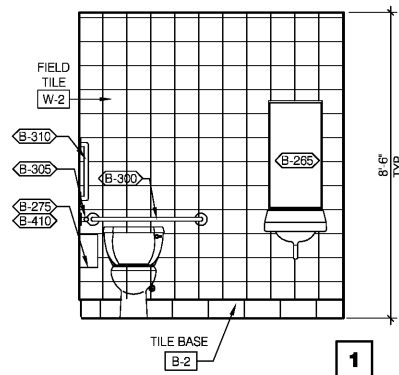


***NOTE:
COORDINATE THE LOCATION AND MOUNTING HEIGHTS FOR ALL FIXTURES, GRAB BARS AND ACCESSORIES WITH SHEET ADA1.0 TO ENSURE COMPLIANCE WITH ADA / LOCAL JURISDICTION MINIMUM ACCESSIBLE REQUIREMENTS.



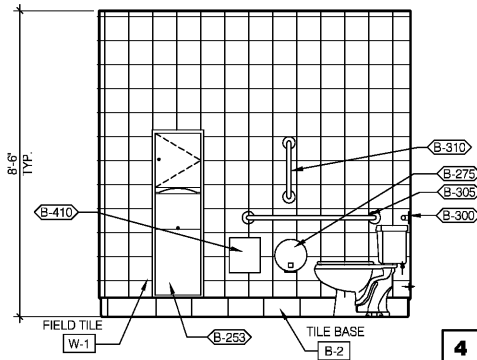
2



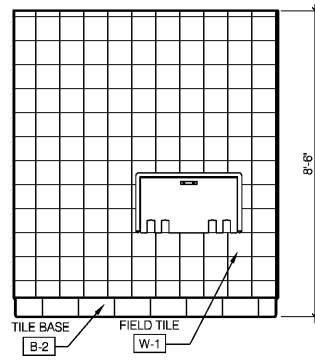
1

WOMEN'S RESTROOM 3/8" = 1'-0"

***NOTE:
COORDINATE THE LOCATION AND MOUNTING HEIGHTS FOR ALL FIXTURES, GRAB BARS AND ACCESSORIES WITH SHEET ADA1.0 TO ENSURE COMPLIANCE WITH ADA / LOCAL JURISDICTION MINIMUM ACCESSIBLE REQUIREMENTS.



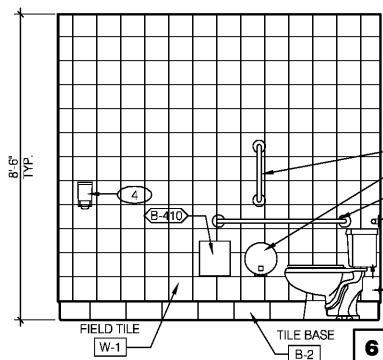
4



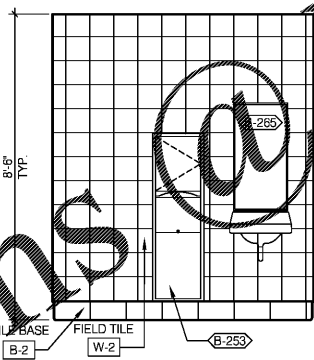
3

WOMEN'S RESTROOM 3/8" = 1'-0"

***NOTE:
COORDINATE THE LOCATION AND MOUNTING HEIGHTS FOR ALL FIXTURES, GRAB BARS AND ACCESSORIES WITH SHEET ADA1.0 TO ENSURE COMPLIANCE WITH ADA / LOCAL JURISDICTION MINIMUM ACCESSIBLE REQUIREMENTS.



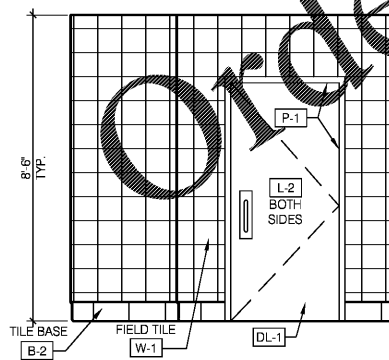
6



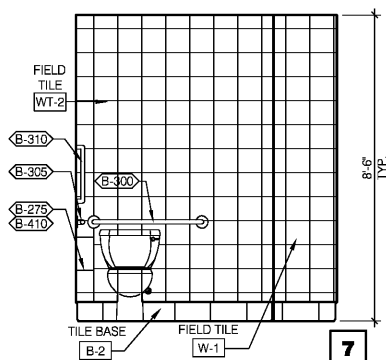
5

MEN'S RESTROOM 3/8" = 1'-0"

***NOTE:
COORDINATE THE LOCATION AND MOUNTING HEIGHTS FOR ALL FIXTURES, GRAB BARS AND ACCESSORIES WITH SHEET ADA1.0 TO ENSURE COMPLIANCE WITH ADA / LOCAL JURISDICTION MINIMUM ACCESSIBLE REQUIREMENTS.

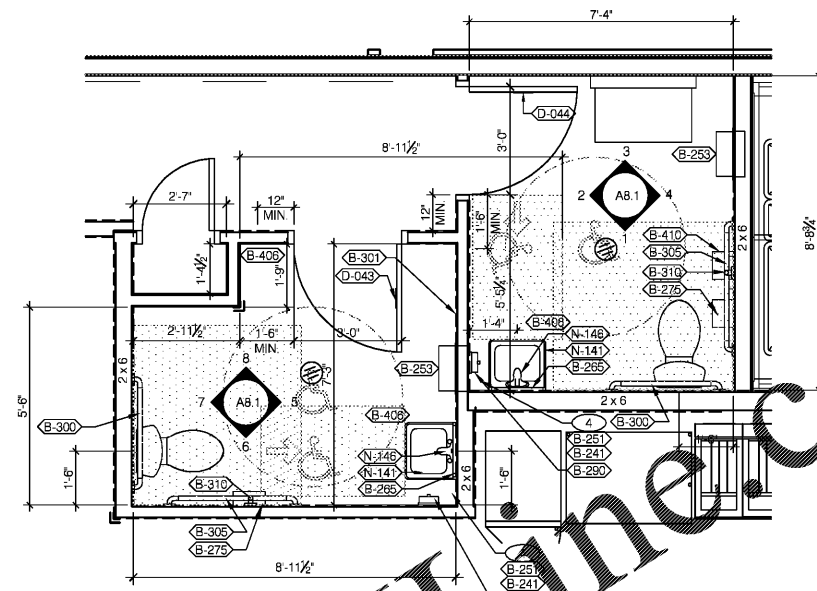


8



7

MEN'S RESTROOM 3/8" = 1'-0"



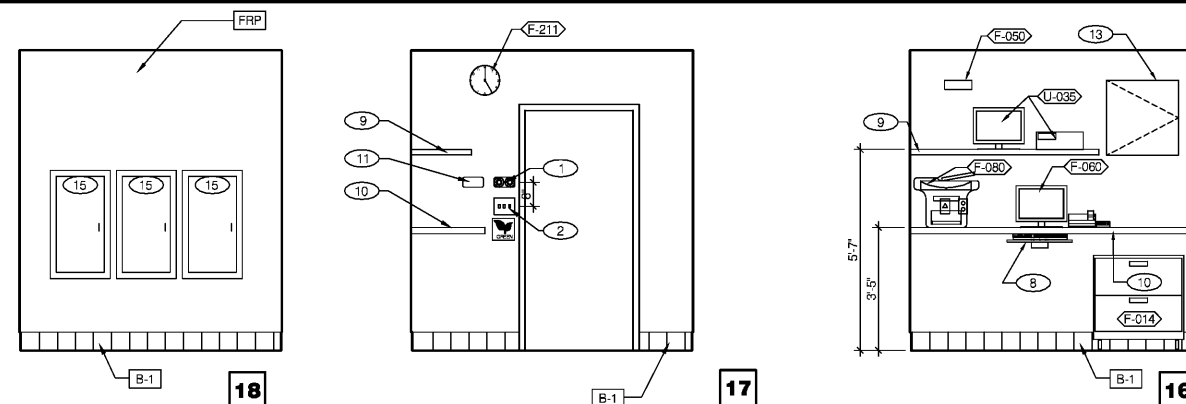
- A. GRAB BARS, FASTENERS AND MOUNTING DEVICES SHALL BE INSTALLED PER ADA REQUIREMENTS. REFER TO SHEET ADA1.0.
- B. REFER TO SHEET ADA1.0 FOR MOUNTING HEIGHTS AND CLEARANCES OF ACCESSORIES AND FIXTURES.
- C. ALL DIMENSIONS THIS DRAWING ARE TO FINISH SURFACE.
- D. PROVIDE 1/4" MAX GAP AT ALL TOILET PARTITION PANEL JOINTS.
- E. ADD VERTICAL GRAB BAR WHERE REQUIRED.

DESIGNER NOTE:
REFER TO TACOBELLSPLANS.COM/LIBRARY/ SIGNS FOR ADDITIONAL RESTROOM SIGN OPTIONS.

RESTROOM FLOOR PLAN and GENERAL NOTES 3/8" = 1'-0" **A**

- 1 THERMOSTAT CONTROLS.
- 2 LIGHTING CONTROL SWITCHES. SEE DETAIL E3.1.
- 3 TELEPHONE TERMINAL BOARD
- 4 SOAP / HAND SANITIZER DISPENSERS - BY ECOLAB.
- 5 LIGHTING CONTROL PANEL
- 6 12" X 12" PHONE DISTRIBUTION BOX. OWNER PROVIDED & INSTALLED.
- 7 WIRING CABINET (PATCH PANEL) BY POS PROVIDER.
- 8 UNDER COUNTER KEYBOARD TRAY.
- 9 SHELF BY G.C. - FINISH WITH PLASTIC LAMINATE DL-3.
- 10 COUNTER BY G.C. - FINISH WITH PLASTIC LAMINATE DL-3.
- 11 SMOKE DETECTOR WITH RESET SWITCH.
- 12 ELECTRICAL PANELS.
- 13 TECH-IN-A-BOX (WALL MOUNT RACK ENCLOSURE CABINETS): REFER TO E3.1. G.C. TO PROVIDE BLOCKING WHERE REQUIRED.
- 14 IRRIGATION CONTROL BOX
- 15 ELECTRICAL PANEL. REFER TO ELECTRICAL SHEETS.

OFFICE FLOOR PLAN and KEYNOTES 3/8" = 1'-0" **B**



CONTRACT DATE: 11/17/20
BUILDING TYPE: ENDEAVOR MED 40
PLAN VERSION: SEPT 2020
BRAND DESIGNER: 200109
SITE NUMBER: 297222
STORE NUMBER: 003717
ARCVISION: 200188

TACO BELL
8151 HWY 278 NW
COVINGTON, GA 30014

TACO BELL
ENDEAVOR
"GO MOBILE"
INTERIOR ELEV.
ENLARGED
RESTROOMS &
OFFICE PLAN

A8.1

NOTE:
REFER TO OFFICE FLOOR PLAN KEYNOTES.

OFFICE ELEVATIONS 3/8" = 1'-0" **C**