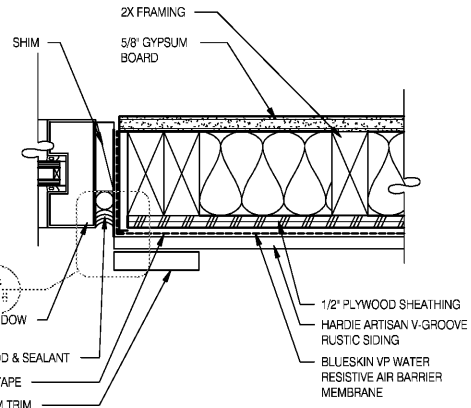
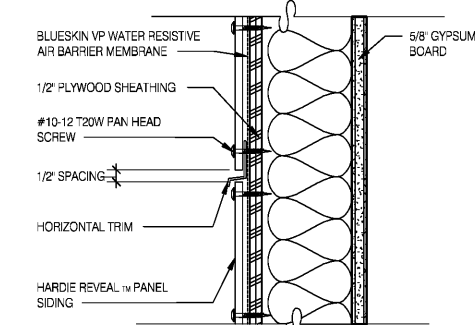


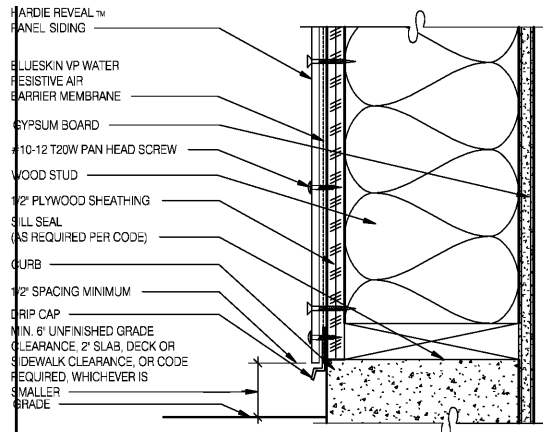
FLANGED WINDOW SILL 3' = 1'-0" **17**



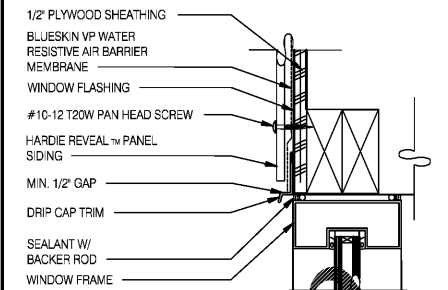
WINDOW FLANGE W/ METAL TRIM 3' = 1'-0" **13**



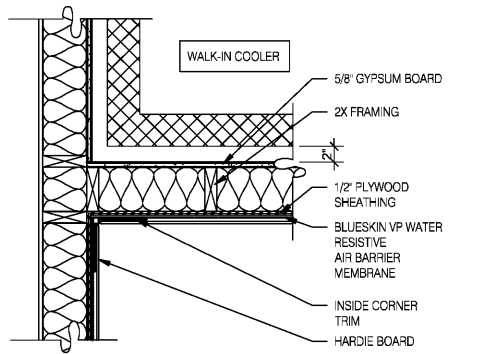
PANEL WITH HORIZONTAL TRIM 3' = 1'-0" **9**



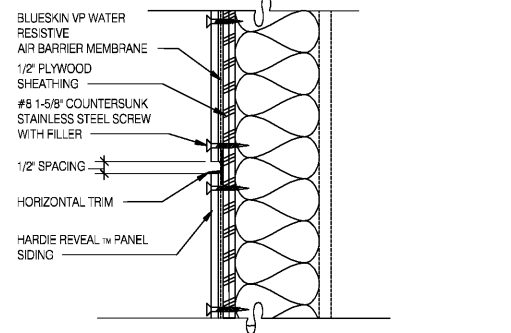
FOUNDATION @ GRADE 3' = 1'-0" **5**



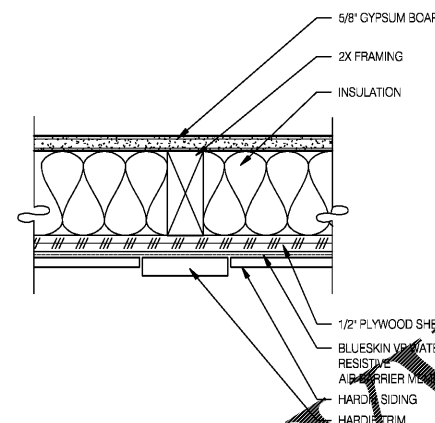
ALUMINUM WINDOW HEAD 3' = 1'-0" **1**



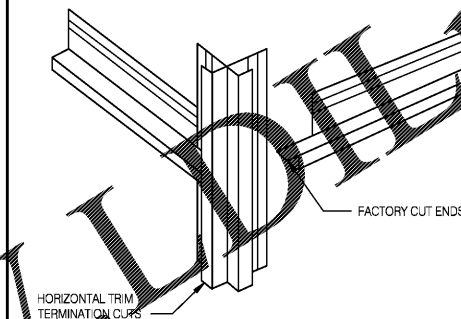
WALK-IN COOLER DETAIL 1' = 1'-0" **18**



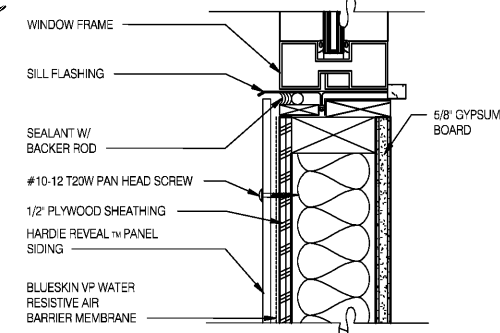
PANEL WITH HORIZONTAL TRIM 3' = 1'-0" **14**



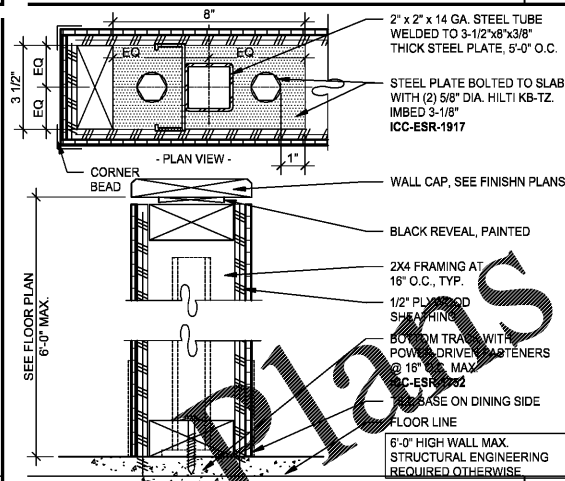
PANEL WITH VERTICAL TRIM 3' = 1'-0" **10**



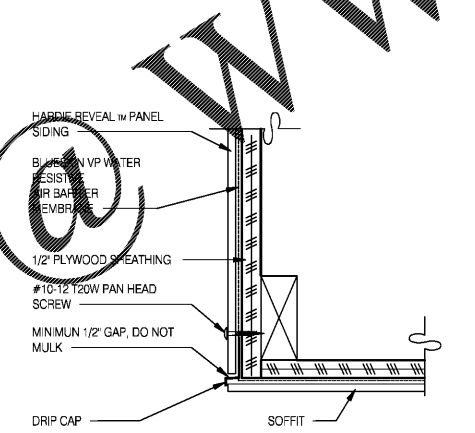
HOR. TRIM - TERMINATION NTS **6**



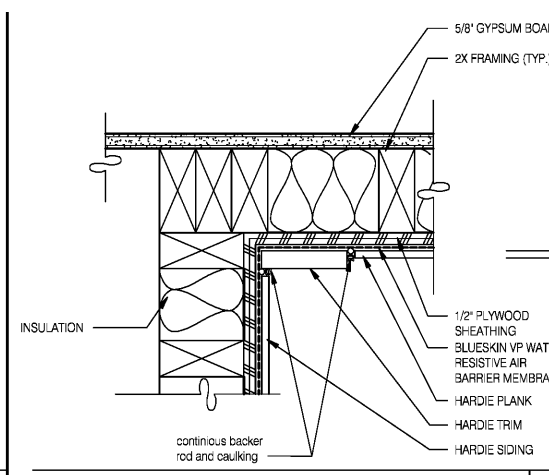
ALUMINUM WINDOW SILL 3' = 1'-0" **2**



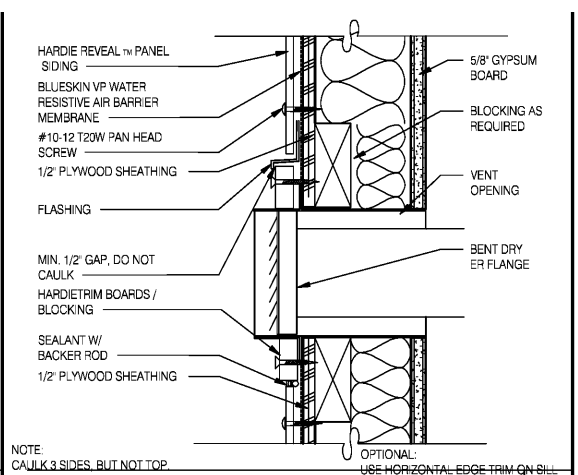
LOW WALL 3' = 1'-0" **15**



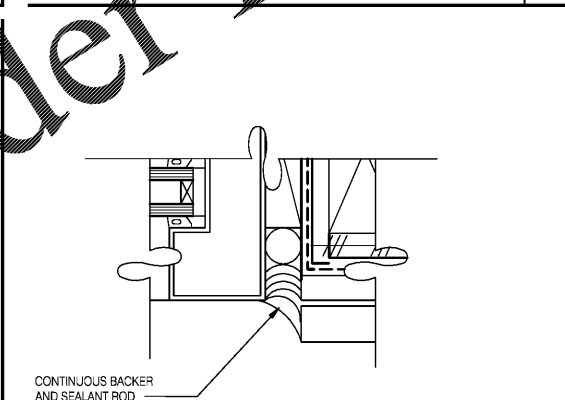
SOFFIT FLASHING INTERSECTION 3' = 1'-0" **11**



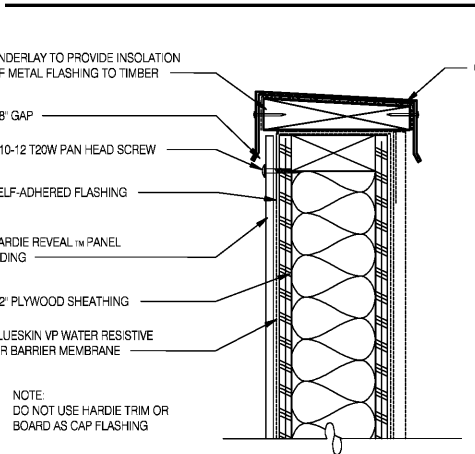
INSIDE CORNER TRIM 3' = 1'-0" **7**



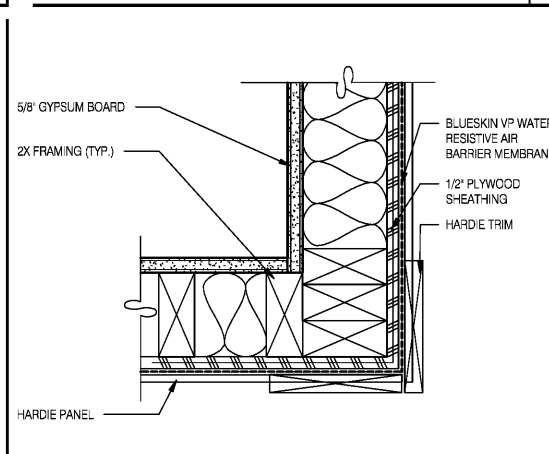
BLOCK PENETRATION TREATMENT 3' = 1'-0" **3**



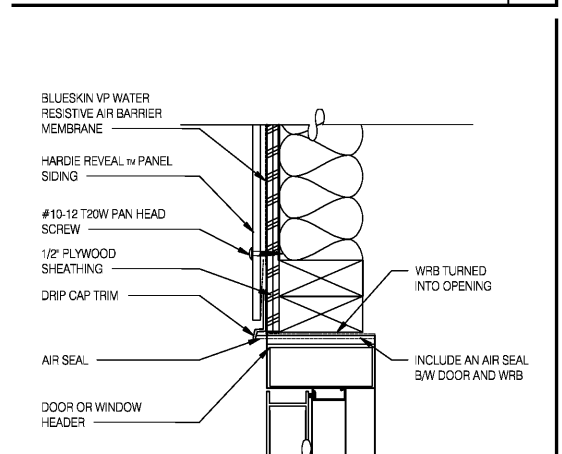
BACKER AND SEALANT DETAIL 6" = 1'-0" **16**



VENTED PARAPET WALL 3' = 1'-0" **12**



OUTSIDE CORNER TRIM 3' = 1'-0" **8**



DOOR HEADER INTERSECTION 3' = 1'-0" **4**

Order Plans

FREDERICK J. GOGLIA
 ARCHITECT, NCARB, FDI
 1950 CRAG ROAD, SUITE 300
 ST. LOUIS, MO 63146
 PH. (314) 415-2400 FAX (314) 415-2300
 WWW.RFCV.COM

CONTRACT DATE: 11/17/20
 BUILDING TYPE: ENDEAVOR MED 40
 PLAN VERSION: SEPT 2020
 BRAND DESIGNER: 200109
 SITE NUMBER: 297222
 STORE NUMBER: 003717
 ARCVISION: 200188

TACO BELL
 8151 HWY 278 NW
 COVINGTON, GA 30014



HARDIE BOARD DETAILS

A6.6