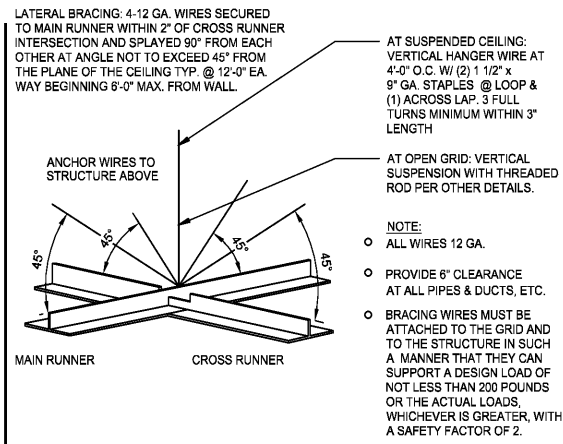
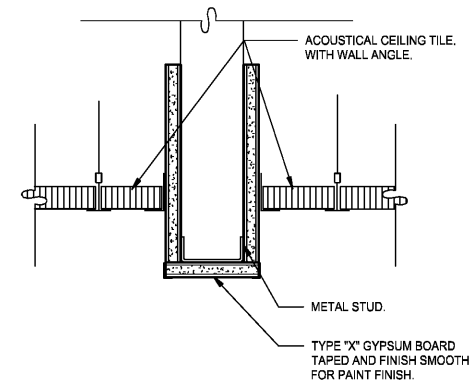


GYPSTUM BOARD TRANSITION 3' = 1'-0" **13**



SUSPENDED ACOUSTICAL CEILING 3' = 1'-0" **9**



CEILING HEADER TRANSITION 3' = 1'-0" **5**

MEMBER DEPTH:
(EXAMPLE: 6" = 600 X 1/100 INCHES)
ALL MEMBER DEPTHS ARE TAKEN IN 1/100 INCHES. FOR ALL "T" SECTIONS MEMBER DEPTH IS THE INSIDE DIMENSION.

FLANGE WIDTH:
(EXAMPLE: 1 5/8" = 1.625" - 162 X 1/100 INCHES) ALL FLANGE WIDTHS ARE TAKEN IN 1/100 INCHES.

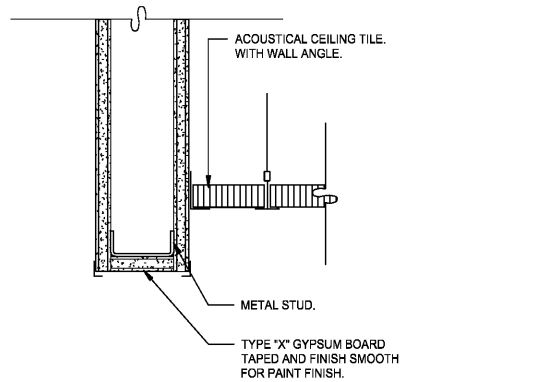
MATERIAL THICKNESS:
(EXAMPLE: 0.054 IN. = 54 MILS; 1 MIL = 1/1000 IN.) MATERIAL THICKNESS IS THE MINIMUM BASE METAL THICKNESS IN MILS. MINIMUM BASE METAL THICKNESS REPRESENTS 95% OF THE DESIGN THICKNESS.

STYLE:
(EXAMPLE: STUD OR JOIST SECTION = S)
THE FOUR ALPHA CHARACTERS UTILIZED BY THE DESIGNATOR SYSTEM ARE:
S = STUD OR JOIST, T = TRACK, U = CHANNEL, F = FURRING

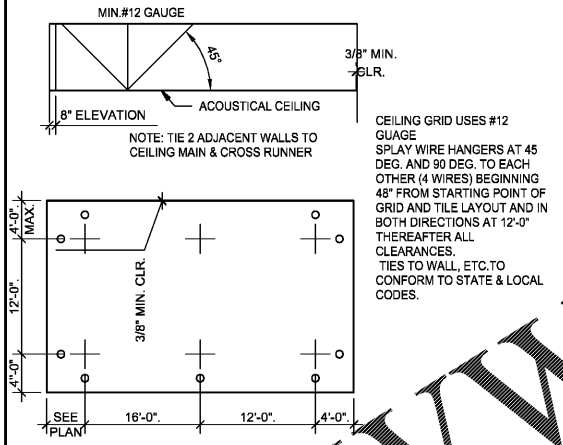
1. VALUES ARE FOR SINGLE SPANS.
2. ALLOWABLE CEILING SPAN CALCULATIONS BASED ON 33KSI YIELD STRENGTH STEEL.
3. FOR FULLY BRACED CEILINGS, USE MID-SPAN BRACED VALUES.
4. END BEARING LENGTH = 1" MINIMUM.

SECTION:	(MIL)	4 PSF LATERAL SUPPORT OF COMPRESSION FLANGE					
		UNSUPPORTED JOIST SPACING (IN.) O.C.			MID-SPAN JOIST SPACING (IN.) O.C.		
		12"	16"	24"	12"	16"	24"
362S125	18	9'-3"	8'-7"	7'-7"	12'-8"	11'-7"	10'-0"
362S125	27	10'-8"	9'-10"	8'-10"	15'-0"	13'-11"	12'-4"
362S125	30	11'-0"	10'-2"	9'-1"	15'-6"	14'-4"	12'-10"
362S125	33	11'-5"	10'-7"	9'-5"	16'-2"	14'-10"	13'-3"
362S125	43	12'-8"	11'-8"	10'-5"	17'-9"	16'-5"	14'-8"
362S162	27	12'-4"	11'-2"	10'-0"	17'-0"	16'-11"	16'-3"
362S162	33	14'-6"	13'-7"	12'-2"	20'-10"	18'-11"	16'-6"
362S162	43	16'-2"	14'-11"	13'-4"	22'-8"	20'-7"	18'-0"
400S125	27	10'-11"	10'-1"	9'-1"	15'-0"	14'-3"	12'-9"
400S125	30	11'-4"	10'-8"	9'-4"	16'-0"	14'-8"	13'-2"
400S125	33	11'-9"	10'-0"	8'-8"	16'-7"	15'-3"	13'-8"
400S125	43	12'-7"	12'-0"	10'-8"	18'-4"	16'-4"	15'-0"
400S137	27	12'-4"	11'-5"	10'-3"	17'-7"	16'-4"	14'-8"
400S137	33	13'-3"	12'-3"	10'-11"	18'-9"	17'-4"	15'-7"
400S137	43	14'-7"	13'-6"	12'-0"	20'-7"	19'-0"	17'-0"
400S162	33	15'-0"	13'-11"	12'-6"	21'-5"	19'-10"	17'-9"
400S162	43	16'-7"	15'-3"	13'-8"	23'-4"	21'-7"	19'-4"
600S125	27	12'-5"	11'-6"	10'-4"	17'-11"	16'-6"	14'-9"
600S125	30	12'-9"	11'-10"	10'-8"	18'-5"	17'-1"	15'-3"
600S125	33	13'-2"	12'-3"	11'-0"	18'-11"	17'-7"	15'-10"
600S125	43	14'-6"	13'-4"	11'-11"	20'-6"	19'-0"	17'-0"
600S162	33	14'-11"	13'-9"	12'-4"	21'-5"	19'-10"	17'-10"
600S162	43	16'-3"	15'-0"	13'-5"	23'-1"	21'-5"	18'-3"
600S162	33	16'-11"	15'-8"	14'-1"	24'-5"	22'-8"	20'-5"
600S162	43	18'-5"	17'-0"	15'-3"	26'-4"	24'-4"	21'-11"

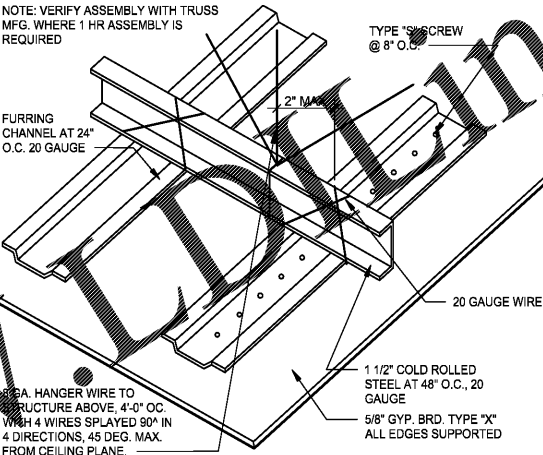
NOTE: ALL JOIST INFORMATION IS BASED ON STEEL STUD MANUFACTURERS ASSOCIATION (SSMA) ICC ESR-3064P



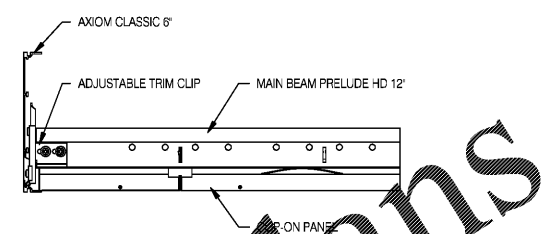
CEILING HEADER TRANSITION 3' = 1'-0" **14**



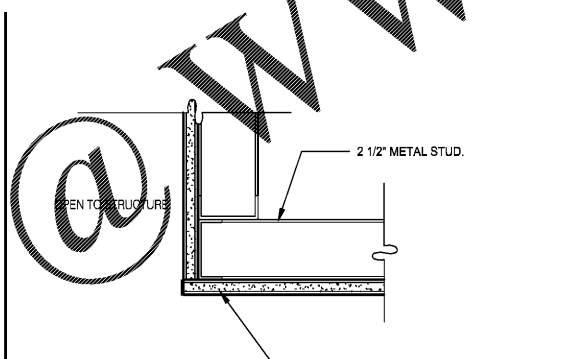
SUSPENDED CEILING GRID 12' = 1'-0" **10**



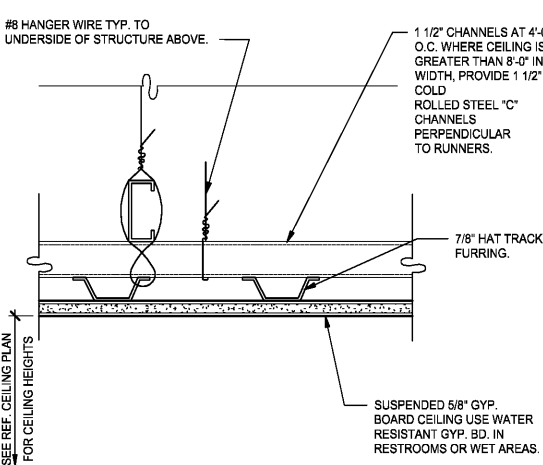
GYPSTUM BOARD CEILING 3' = 1'-0" **6**



ASSEMBLY CLIP-ON 3' = 1'-0" **15**



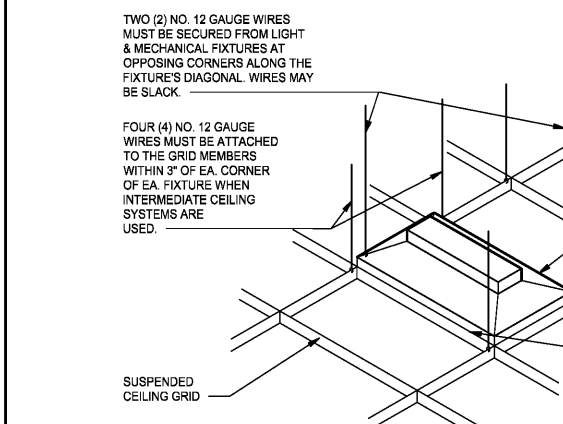
CEILING TRANSITION 3' = 1'-0" **11**



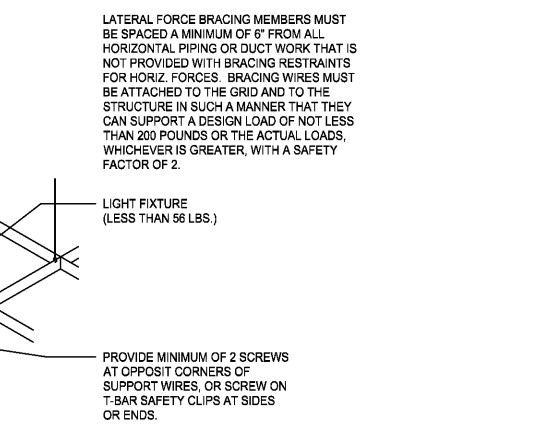
SUSPENDED GYP. BOARD CEILING 3' = 1'-0" **7**

ALLOWABLE CEILING SPANS-L/240 12' = 1'-0" **3**

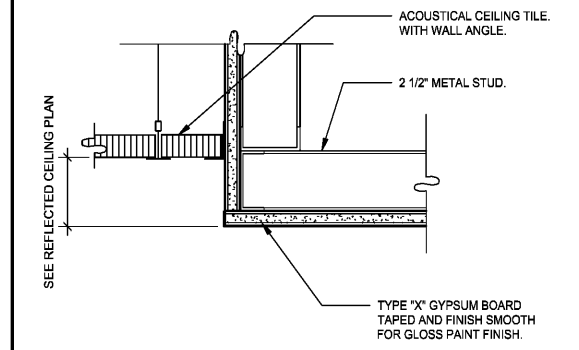
Order Plans



LIGHT FIXTURE @ SUSP. CEILING 12' = 1'-0" **8**



CEILING TRANSITION 3' = 1'-0" **4**



CEILING TRANSITION 3' = 1'-0" **4**

FREDERICK J. GOGLIA
ARCHITECT, NCARB, FDI
1650 CRAIG ROAD, SUITE 300
ST. LOUIS, MO 63146
PH. (314) 465-2400 FAX (314) 415-2800
www.rfcvc.com

CONTRACT DATE: 11/17/20
BUILDING TYPE: ENDEAVOR MED 40
PLAN VERSION: SEPT 2020
BRAND DESIGNER: 200109
SITE NUMBER: 297222
STORE NUMBER: 003717
ARCVISION: 200188

TACO BELL
8151 HWY 278 NW
COVINGTON, GA 30014

TACO BELL
ENDEAVOR
"GO MOBILE"

CEILING DETAILS
A6.5