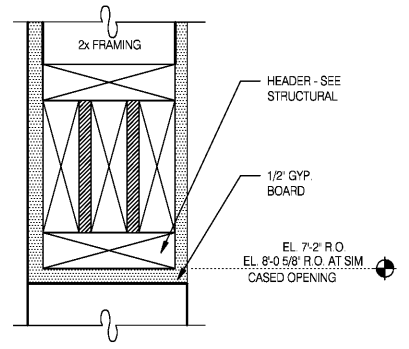
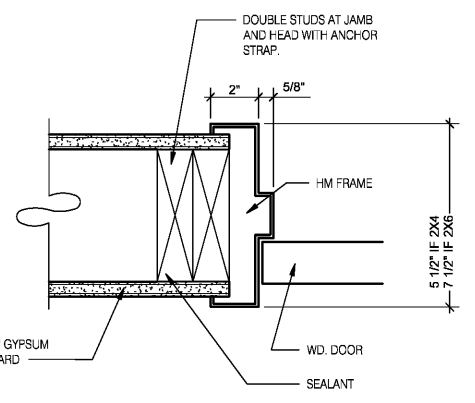


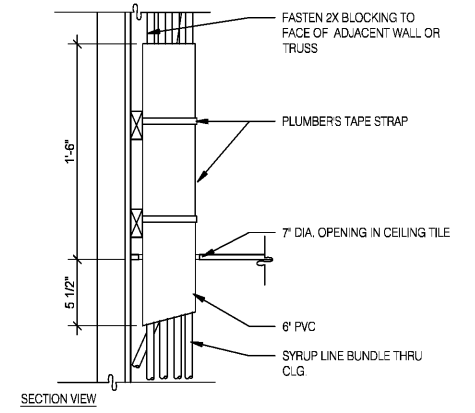
WALL PASS THRU NTS **8**



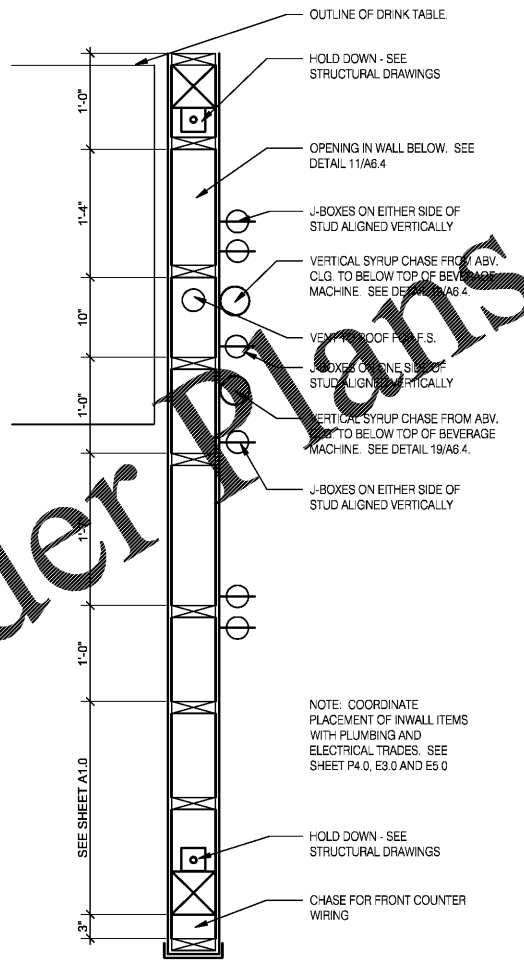
CASED OPENING DETAIL **5**



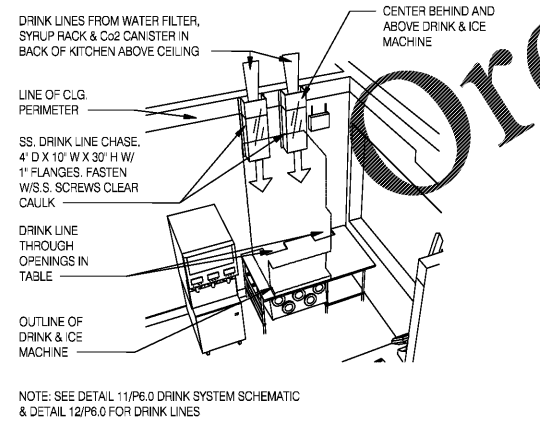
HEAD/ JAMB @ H.M. DOOR NTS **6**



SYRUP BUNDLE CLG. 1 1/2" = 1'-0" **10**



INTERIOR CHASE WALL NTS **7**



SYRUP CHASE ON WALL 1 1/2" = 1'-0" **11**

www.LDILine.com

- NOTES:**
1. EC/GC TO INSTALL A TOTAL OS (4) IG262 DUPLEX OUTLET IN CEILING BOXES ON FRONT OF VALANCE WALL AS SHOWN. OUTLETS TO BE ORANGE AND STRAIGHT BLADE.
 2. EC/GC TO EVALUATE VALANCE CEILING STRUCTURE TO ENSURE ADEQUATE SUPPORT OF DIGITAL MENU BOARDS EQUIPMENT. EC/GC TO INSTALL ADDITIONAL BLOCKING (AS REFERENCED ON DRAWINGS) AS NEEDED TO ENSURE ADEQUATE SUPPORT OF DIGITAL MENU BOARDS.
 3. EC/GC TO INSTALL (1) DATA JUNCTION (JB) IN CEILING AS SHOWN. CONDUIT TERMINATED ABOVE CEILING TO HAVE BUSHING.
 4. EC/GC TO RUN (3) CAT6 LINES FROM NETWORK SWITCH TO DATA JUNCTION BOX. CAT6 LINES SHOULD HAVE BOTH PROPERLY TERMINATED WITH RJ-45 CONNECTORS EXCESS CAT6 CABLE TO BE COILED INTO SERVICE LOOPS AT EACH END AND LEFT ACCESSIBLE. FOR DMB INSTALL TEA. CAT6 TO BE RUN IN ACCORDANCE WITH ALL LOCAL MUNICIPALITY CODE REQUIREMENTS.
 5. EC/GC SHALL ACQUIRE AND SECURE NY/ALL REQUIRED PERMITTING FOR THE WORK MENTIONED ABOVE PER MUNICIPALITY CODE REQUIREMENTS.
 6. DRAWING PROVIDED IS FOR INSTALLATION OF DMB EQUIPMENT ONLY. NOT TO BE USED FOR ARCHITECTURAL PURPOSES. IF PLACEMENT OF REQUIRED ELEMENTS CANNOT BE MET AND WILL EXCEED A 3IN DEVIATION, STRATACACHE MUST BE NOTIFIED IMMEDIATELY.

JB = JUNCTION BOX
GC = GENERAL CONTRACTOR
EC = ELECTRICAL CONTRACTOR

ELECTRICAL SCHEDULE								
QTY	DESCRIPTION	VOLT/PH	BRK SIZE	COND/WIRE	PNL/CCT	RECP TYPE	HGT AFF	REQUIREMENTS & REMARKS
4	MENUE BORAD - DIGITAL & MEDIA PLAYER	120/1 ISOLATED	20A	-----	-----	(4) IG262	SEE PLAN	SEE LAYOUT AND NOTES

FREDERICK J. GOGLIA
ARCHITECT, NCARB, PDI
1850 CRAIG ROAD, SUITE 300
FT. (304) 415-2400 FAX (304) 415-2800
www.frcj.com

CONTRACT DATE: 11/17/20
BUILDING TYPE: ENDEAVOR MED 40
PLAN VERSION: SEPT 2020
BRAND DESIGNER: 200109
SITE NUMBER: 297222
STORE NUMBER: 003717
ARCVISION: 200188

TACO BELL
6151 HWY 278 NW
COVINGTON, GA 30014



CONSTRUCTION DETAILS INTERIOR

A6.4