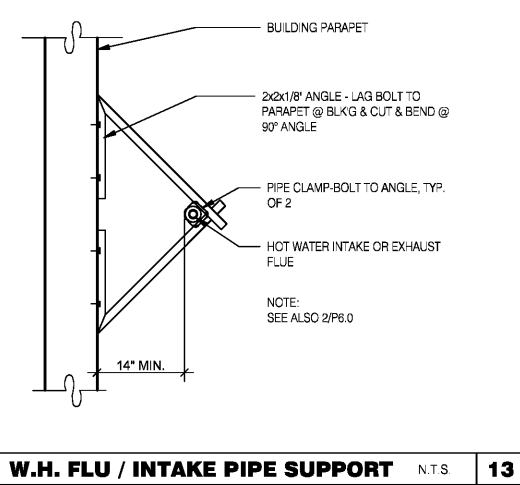
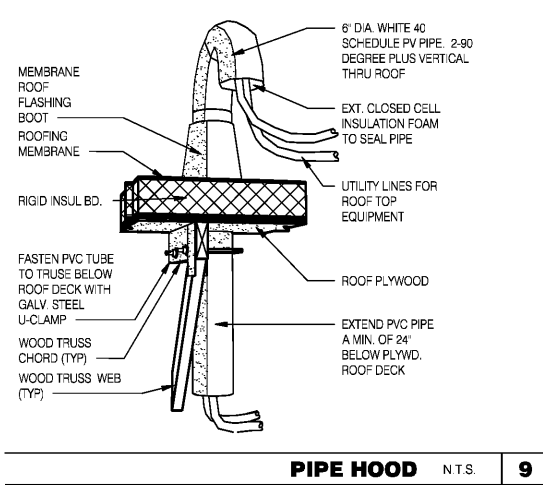


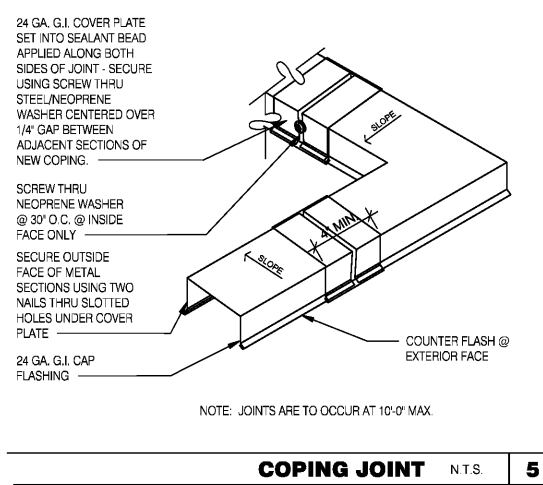
CON. @ STUD AND @ BLOCKING 3"=1'-0" **17**



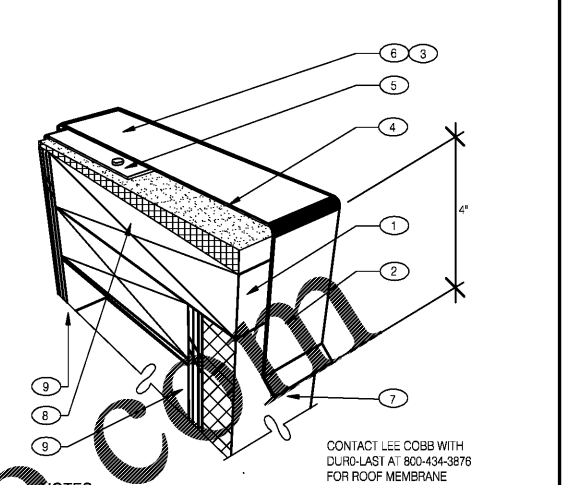
W.H. FLU / INTAKE PIPE SUPPORT N.T.S. **13**



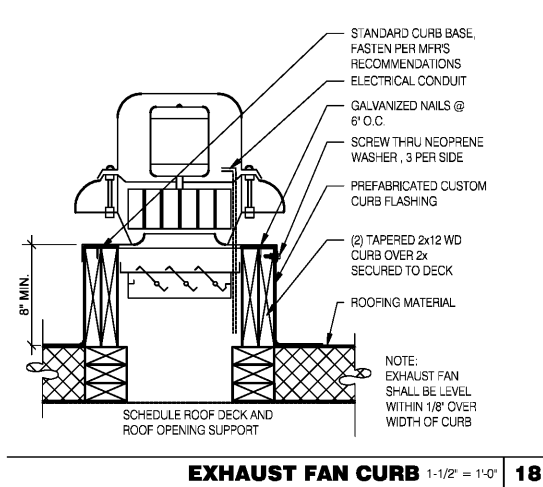
PIPE HOOD N.T.S. **9**



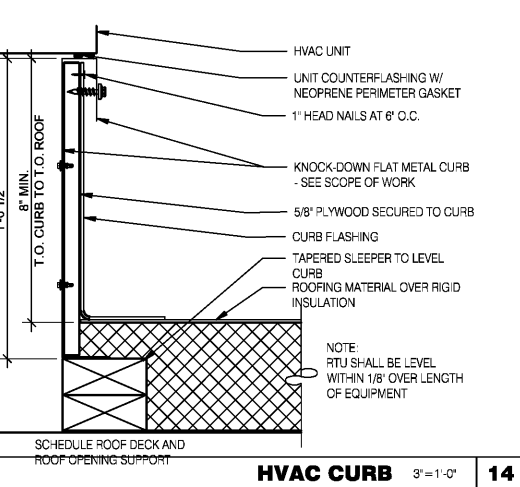
COPING JOINT N.T.S. **5**



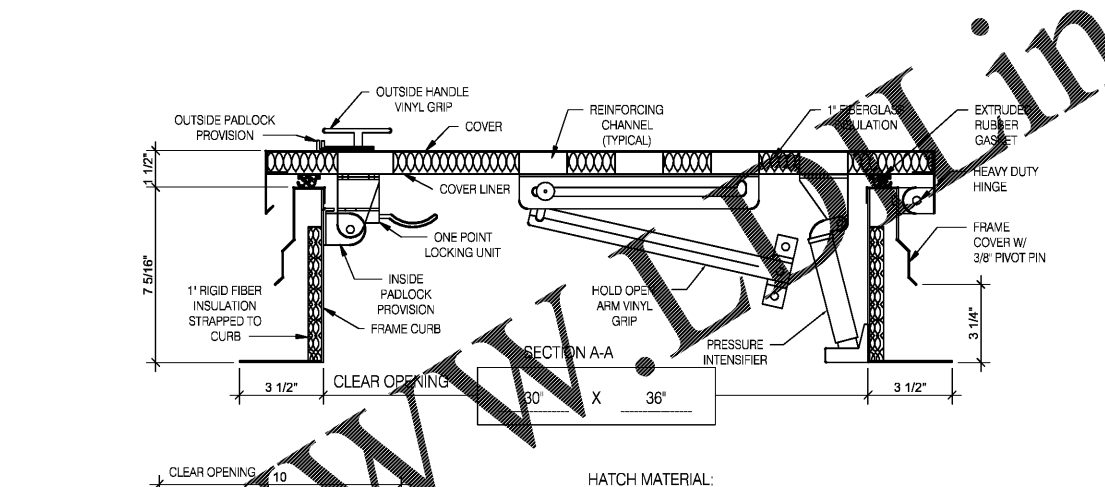
PARAPET CAP N.T.S. **2**



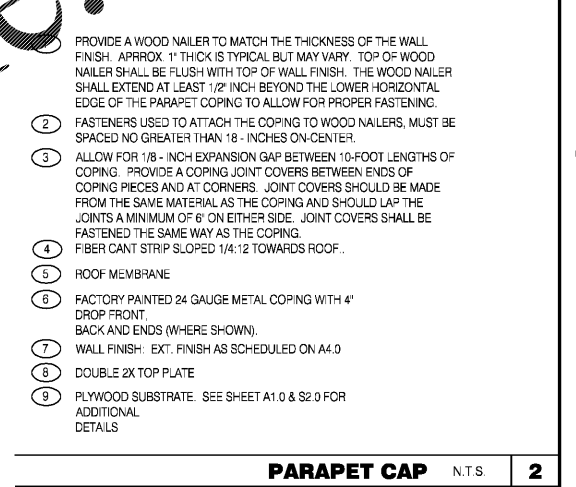
EXHAUST FAN CURB 1-1/2"=1'-0" **18**



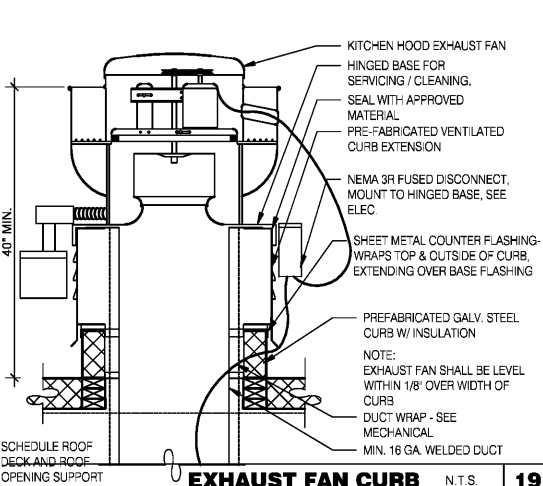
HVAC CURB 3"=1'-0" **14**



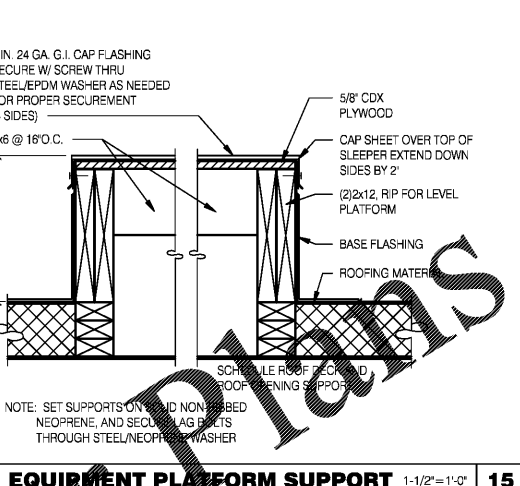
ROOF LADDER AND HATCH 1"=1'-0" **7**



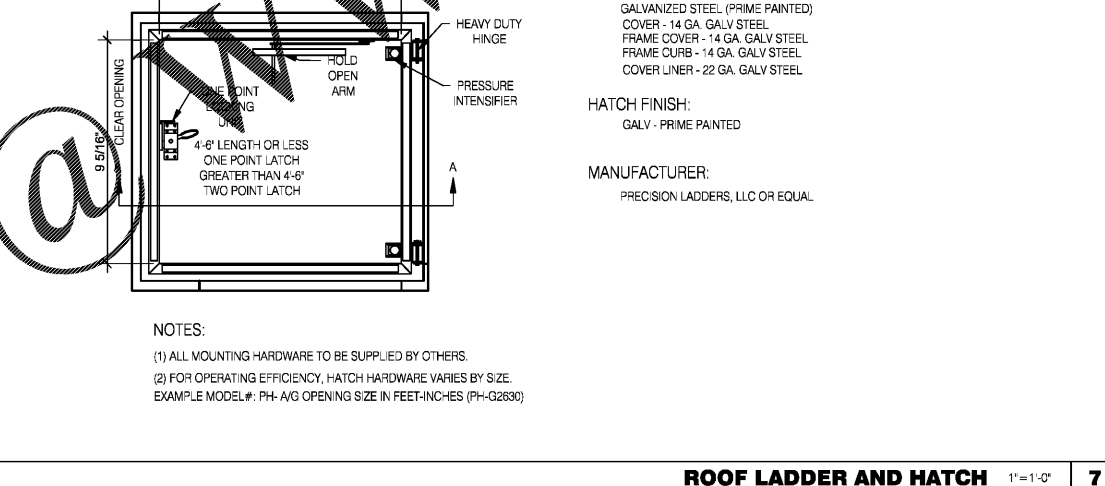
ROOF LADDER N.T.S. **4**



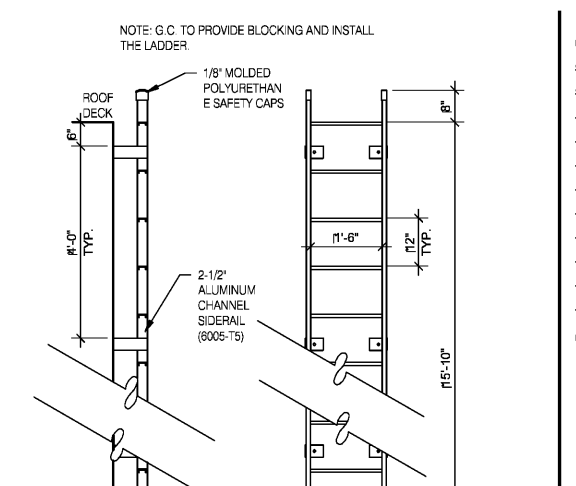
EXHAUST FAN CURB N.T.S. **19**



EQUIPMENT PLATFORM SUPPORT 1-1/2"=1'-0" **15**



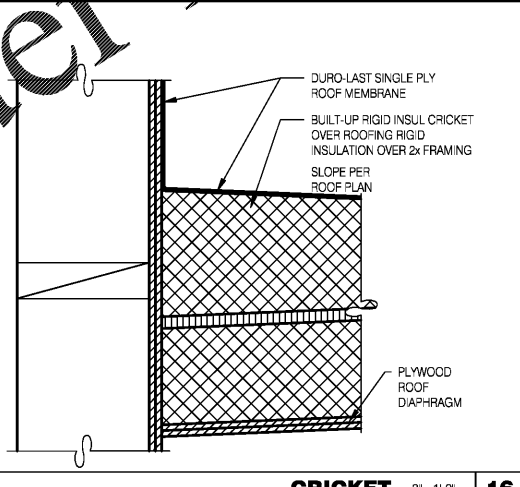
SEALED PIPE FLASHING 1 1/2"=1'-0" **12**



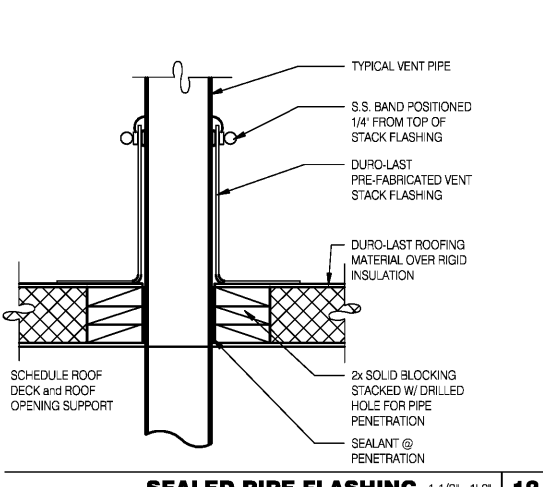
PARAPET CORNER 3"=1'-0" **8**



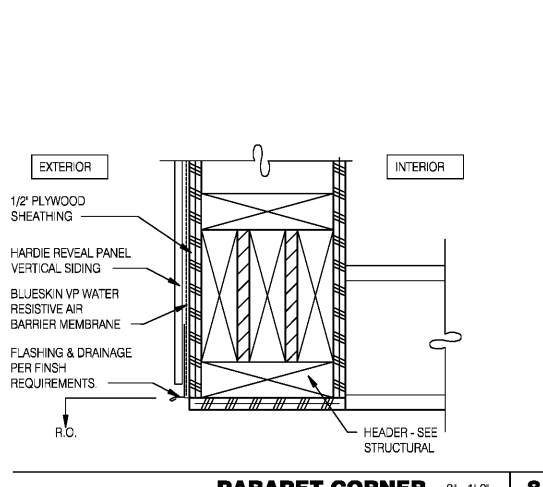
CRICKET 3"=1'-0" **16**



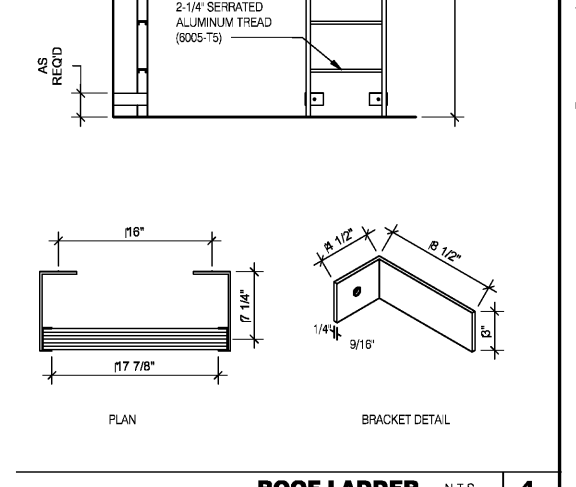
SEALED PIPE FLASHING 1 1/2"=1'-0" **11**



SEALED PIPE FLASHING 1 1/2"=1'-0" **10**



PARAPET CORNER 3"=1'-0" **6**



PARAPET CORNER 3"=1'-0" **3**

- NOTES**
- PROVIDE A WOOD NAILER TO MATCH THE THICKNESS OF THE WALL FINISH. APPROX. 1" THICK IS TYPICAL BUT MAY VARY. TOP OF WOOD NAILER SHALL BE FLUSH WITH TOP OF WALL FINISH. THE WOOD NAILER SHALL EXTEND AT LEAST 1/2" INCH BEYOND THE LOWER HORIZONTAL EDGE OF THE PARAPET COPING TO ALLOW FOR PROPER FASTENING.
 - FASTENERS USED TO ATTACH THE COPING TO WOOD NAILERS, MUST BE SPACED NO GREATER THAN 18" INCHES ON-CENTER.
 - ALLOW FOR 1/8" INCH EXPANSION GAP BETWEEN 10-FOOT LENGTHS OF COPING. PROVIDE A COPING JOINT COVERS BETWEEN ENDS OF COPING PIECES AND AT CORNERS. JOINT COVERS SHOULD BE MADE FROM THE SAME MATERIAL AS THE COPING AND SHOULD LAP THE JOINTS A MINIMUM OF 6" ON EITHER SIDE. JOINT COVERS SHALL BE FASTENED THE SAME WAY AS THE COPING. JOINT COVERS SHALL BE FASTENED THE SAME WAY AS THE COPING. JOINT COVERS SHALL BE FASTENED THE SAME WAY AS THE COPING.
 - ROOF MEMBRANE
 - FACTORY PAINTED 24 GAUGE METAL COPING WITH 4" DROP FRONT, BACK AND ENDS (WHERE SHOWN).
 - WALL FINISH: EXT. FINISH AS SCHEDULED ON A4.0
 - DOUBLE 2X TOP PLATE
 - PLYWOOD SUBSTRATE. SEE SHEET A1.0 & S2.0 FOR ADDITIONAL DETAILS

Order Plans

FREDERICK J. GOGLIA
 ARCHITECT, NCARB, FDI
 1850 CRAG ROAD, SUITE 300
 FT. LOUIS, MO 63146
 PH. (636) 415-2400 FAX (636) 415-2000
 www.frc.com

CONTRACT DATE: 11/17/20
 BUILDING TYPE: ENDEAVOR MED 40
 PLAN VERSION: SEPT 2020
 BRAND DESIGNER: 200109
 SITE NUMBER: 297222
 STORE NUMBER: 003717
 ARCVISION: 200188

TACO BELL
 6151 HWY 278 NW
 COVINGTON, GA 30014

ENDEAVOR
 "GO MOBILE"
CONSTRUCTION
DETAILS
ROOF
A6.0