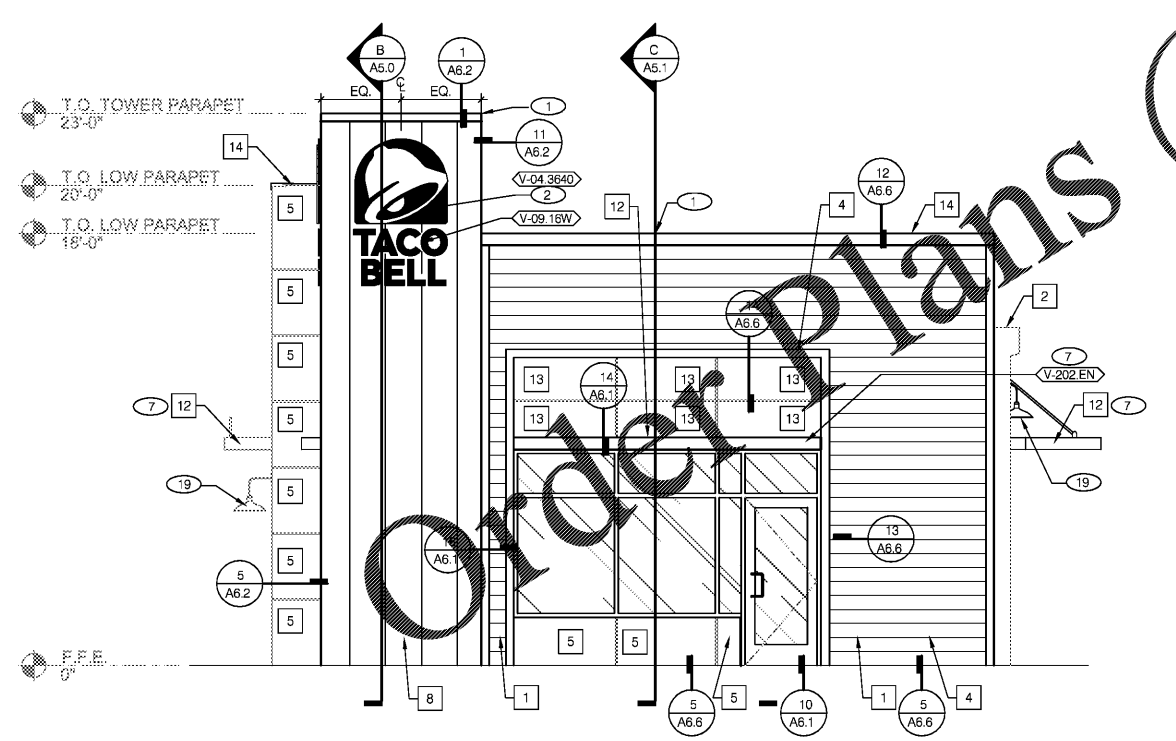
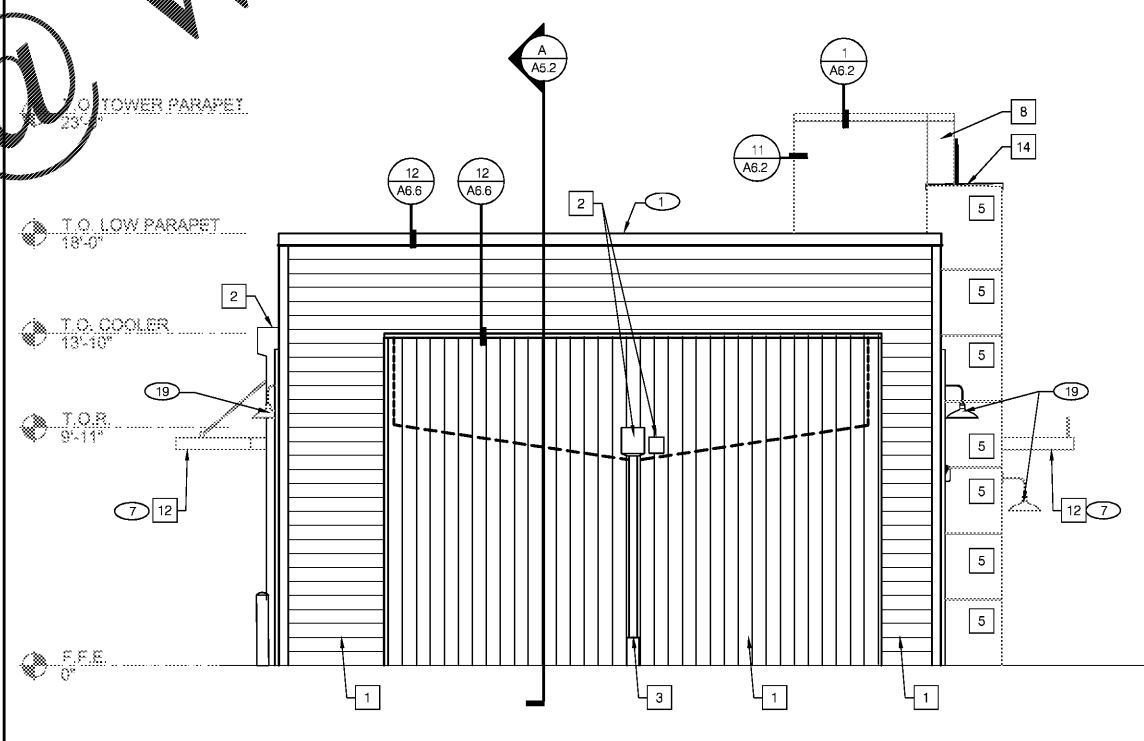


LEFT SIDE ELEVATION 1/4" = 1'-0" 1



FRONT ELEVATION 1/4" = 1'-0" 2



REAR ELEVATION 1/4" = 1'-0" 3

- KEY NOTES**
- 1 METAL PARAPET CAP
 - 2 BUILDING SIGN BY VENDOR. REQUIRES ELECTRICAL, SEE ELECTRICAL PLANS FOR CONNECTION.
 - 3 DRIVE THRU WINDOW SEE SHEET A1.0 AND A1.1
 - 7 METAL CANOPIES BY SIGNAGE VENDOR. SEE SCHEDULE FOR FINISH.
 - 8 CO2 FILLER VALVE AND COVER
 - 9 ASSUME D/T LANE SURFACE IS 6" BELOW THE FINISH FLOOR. REFER TO GRADING & SITE PLAN
 - 11 CONCRETE CURB
 - 12 HOSE BIB BOX AT 18" A.F.F.
 - 19 EXTERIOR LIGHT FIXTURE. COORDINATE WITH ELECTRICAL DRAWINGS
 - 21 MURAL

KEY NOTES A

FREDERICK J. GOGLIA
 ARCHITECT, NCARB, FDI
 1950 CRAIG ROAD, SUITE 300
 ST. LOUIS, MO 63146
 PH. (314) 415-2400 FAX (314) 415-2300
 www.rfjg.com

CONTRACT DATE: 11/17/20
 BUILDING TYPE: ENDEAVOR MED 40
 PLAN VERSION: SEPT 2020
 BRAND DESIGNER: 200109
 SITE NUMBER: 297222
 STORE NUMBER: 003717
 ARCVISION: 200188

TACO BELL
 8151 HWY 278 NW
 COWINGTON, GA 30014



EXTERIOR ELEVATIONS

A4.1