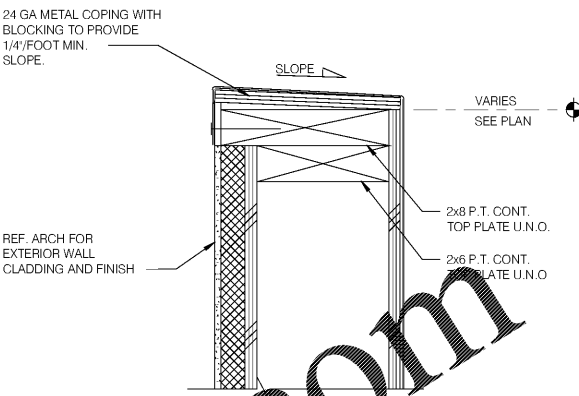
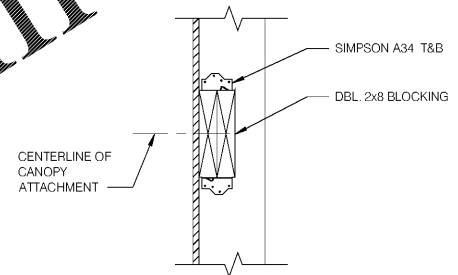


Order Plans @ [www.LDILine.com](http://www.LDILine.com)

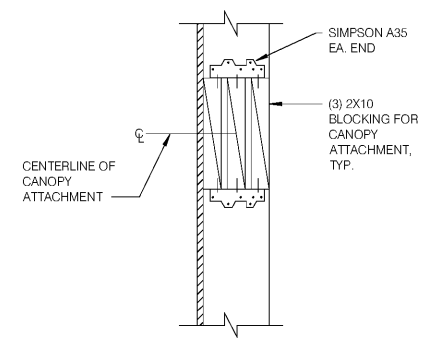


**DETAIL NOT USED** N.T.S. **5**

**TYPICAL PARAPET CAP** 12" = 1'-0" **1**



**SIGNAGE ATTACH. BLOCKING DTL.** 1 1/2" = 1'-0" **2**



**CANOPY TIE BACK BLOCKING DETAIL** N.T.S. **3**

**DETAIL NOT USED** N.T.S. **4**

**PRECISION**  
**INCORPORATED**  
 ENGINEERING STORE PLANNING  
 ARCHITECTURE / DALLAS / LAS VEGAS / ORLANDO  
 SAINT LOUIS / LAS VEGAS / ORLANDO  
 1950 CRAIG ROAD, SUITE 300 ST. LOUIS, MO 63146  
 PH: (314) 415-2400 FAX (314) 415-2300 www.prcv.com

REGISTERED PROFESSIONAL ENGINEER  
 PAUL G. SCOTT  
 10/30/2020

PROJECT NUMBER	20-1272
PROJECT MANAGER	RAD
PROJECT ENGINEER	SA
PROJECT DRAFTER	ATG

**CARUSO TURLEY SCOTT INC.**  
 consulting structural engineers  
 1215 N. Rio Salado Parkway Suite 200  
 Tempe, Arizona 85281  
 (480) 774-1100  
 (480) 774-1701 FAX

CONTRACT DATE:	XX/XX/20
BUILDING TYPE:	ENDEAVOR MED 40
PLAN VERSION:	SEPT 2020
BRAND DESIGNER:	200109
SITE NUMBER:	297222
STORE NUMBER:	003717

**TACO BELL**  
 6151 HWY 278 NW  
 COVINGTON, GA 30014

**TACO BELL**  
**ENDEAVOR**  
 GO MOBILE  
**STRUCTURAL DETAILS**

**S4.3**