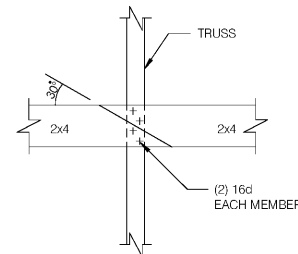
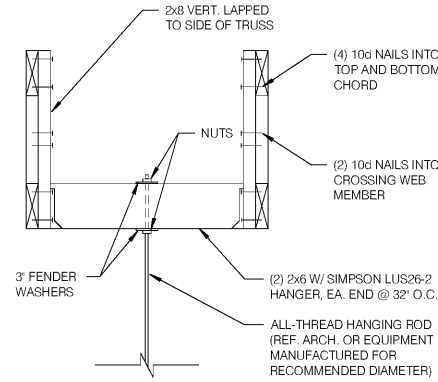


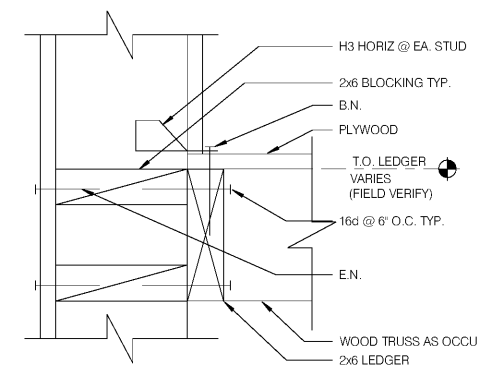
BRIDGING LAP DETAIL N.T.S. **13**



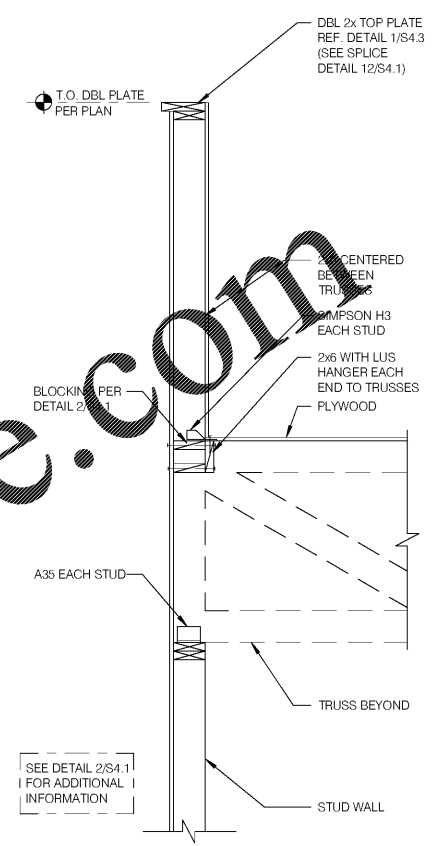
BRIDGING LAP DETAIL @ OPEN CLG. N.T.S. **9**



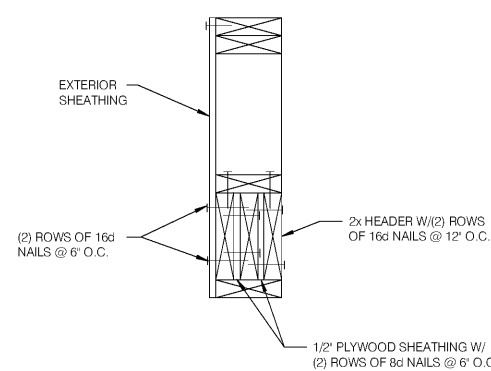
HANGING BULKHD. OR HOOD DETL. N.T.S. **6**



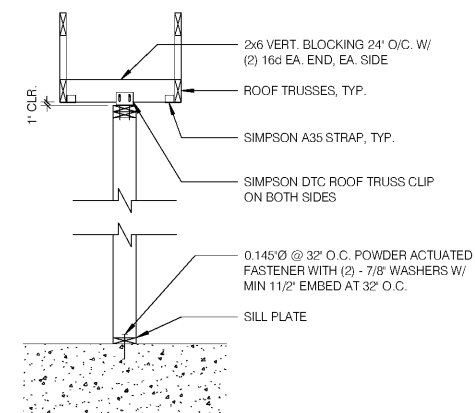
LEDGER DETAIL N.T.S. **3**



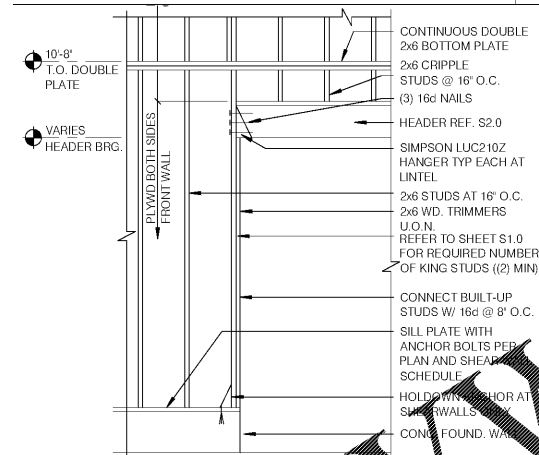
SIDE WALL STUDS N.T.S. **1**



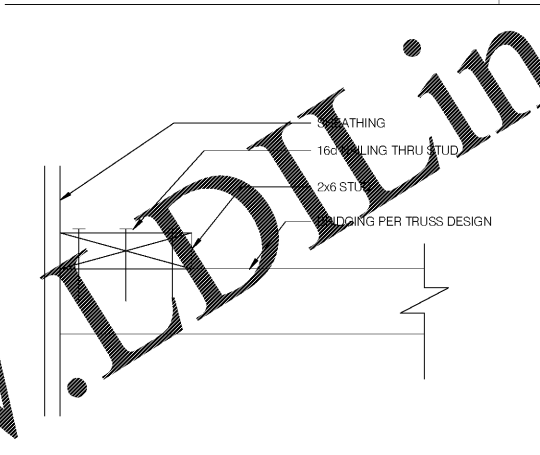
TYP. MULTIPLE HEADER 1-1/2" = 1'-0" **14**



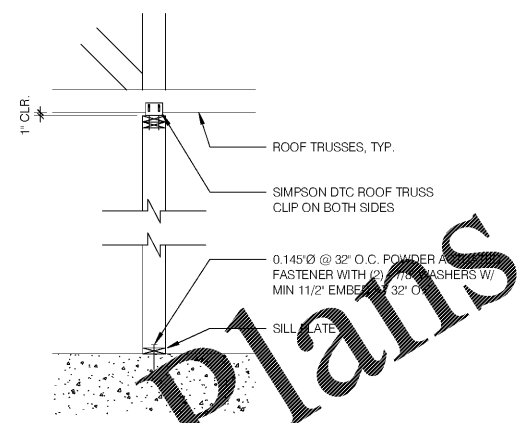
SUPPORT - PARALLEL TO TRUSS N.T.S. **10**



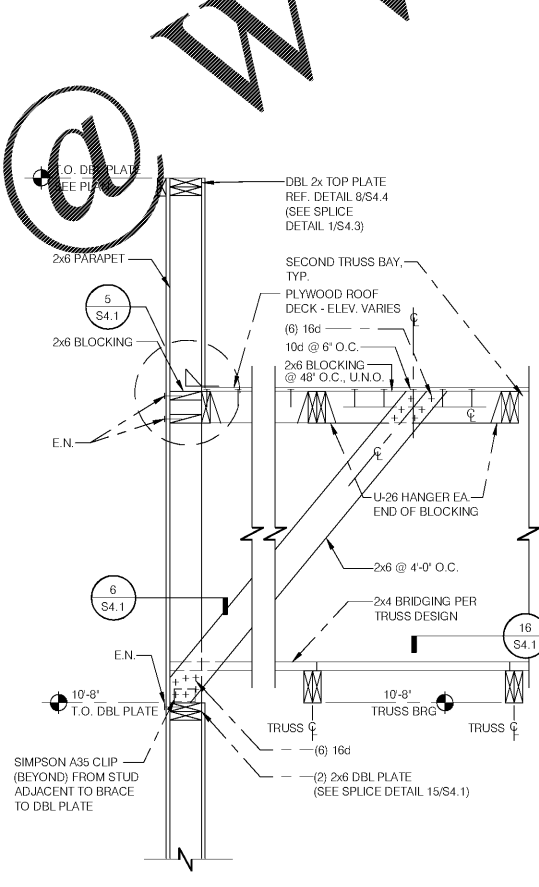
FRAMING ELEVATION @ OPENING N.T.S. **7**



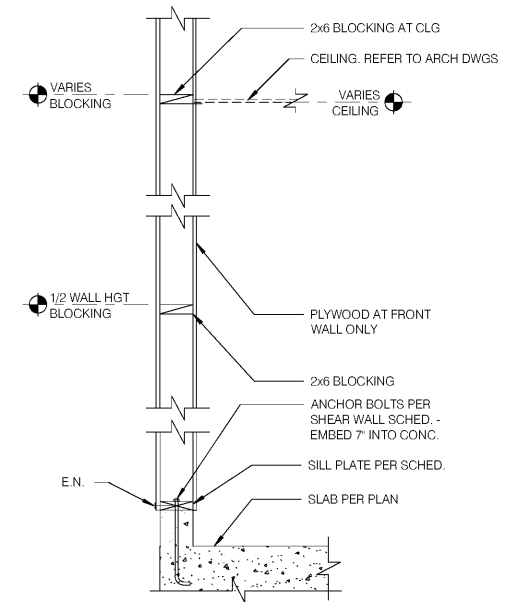
BRIDGING DETAIL N.T.S. **4**



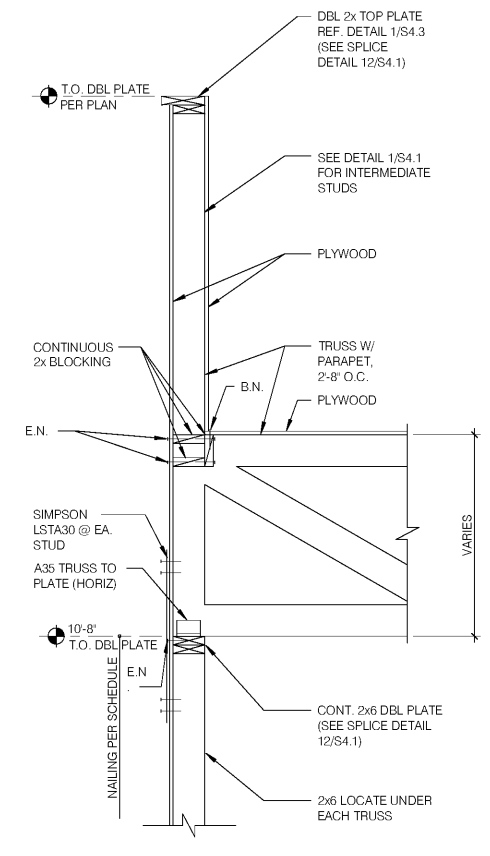
SUPPORT PERP. TO TRUSS N.T.S. **11**



REAR WALL 3/4" = 1'-0" **8**



TYPICAL WALL BELOW TRUSS 3/4" = 1'-0" **5**



SIDE WALL @ TRUSS N.T.S. **2**

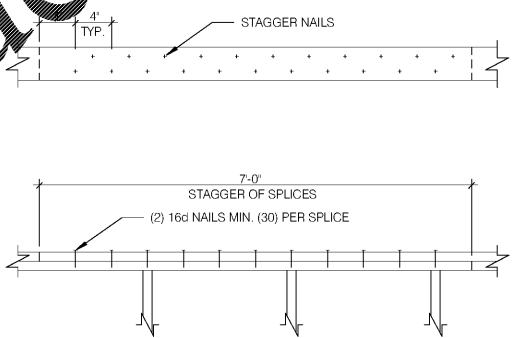


PLATE LAP DETAIL 1" = 1'-0" **12**

Order Plans

WWW.LDLINE.COM

WWW.LDLINE.COM

LDLINE CORPORATION
 ENGINEERING / STORE PLANNING
 ARCHITECTURE / DALLAS / LAS VEGAS / ORLANDO
 ST. LOUIS, MO 63146
 950 CRAG ROAD, SUITE 300
 PH. (314) 415-2400 FAX (314) 415-2300
 www.ldline.com

REGISTERED PROFESSIONAL ENGINEER
 PAUL G. SCOTT
 10/30/2020

PROJECT NUMBER 20-1272
 PROJECT MANAGER RAD
 PROJECT ENGINEER SA
 PROJECT DRAFTER ATG

CARUSO TURLEY SCOTT INC.
 consulting structural engineers
 1215 W. Rio Salado Pkwy
 Suite 200
 Tempe, Arizona 85281
 (480) 774-1700
 (480) 774-1701 FAX

CONTRACT DATE: XX/XX/20
 BUILDING TYPE: ENDEAVOR MED 40
 PLAN VERSION: SEPT 2020
 BRAND DESIGNER: 200109
 SITE NUMBER: 297222
 STORE NUMBER: 003717

TACO BELL
 6151 HWY 278 NW
 COVINGTON, GA 30014

TACO BELL
ENDEAVOR
 "GO MOBILE"
STRUCTURAL DETAILS

S4.1