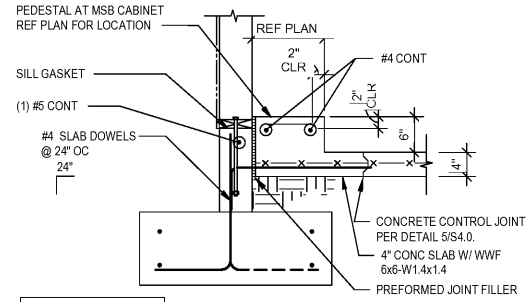
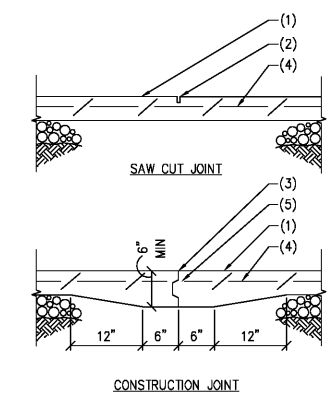


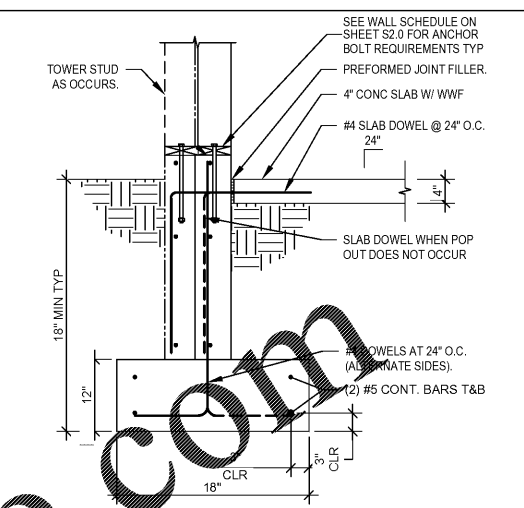
Order Plans @ www.wldonline.com



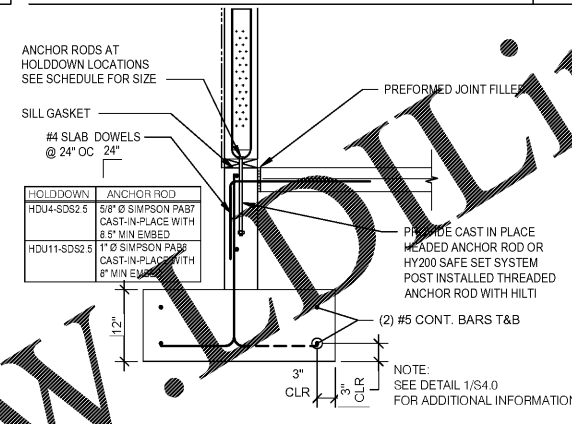
EQUIPMENT PEDESTAL SECTION 3/4" = 1'-0" **9**



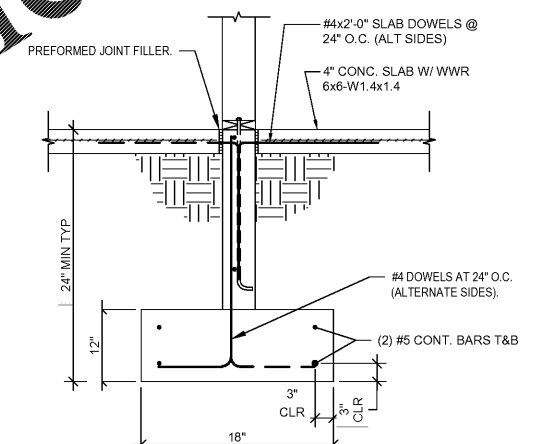
CONTROL JOINTS 3/4" = 1'-0" **5**



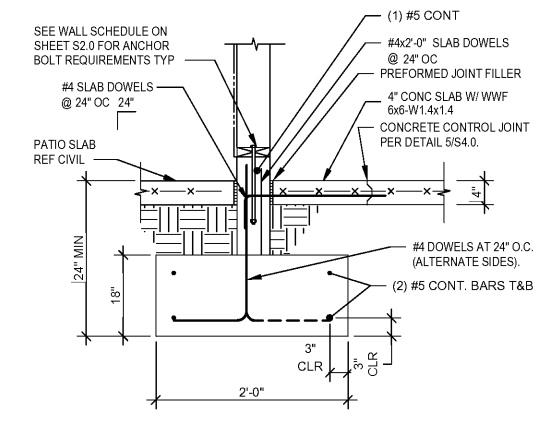
FOOTING AT SIDE AND REAR WALLS 3/4" = 1'-0" **1**



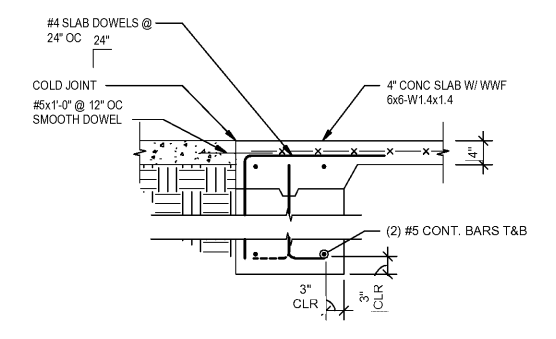
HOLDDOWN DETAIL 3/4" = 1'-0" **6**



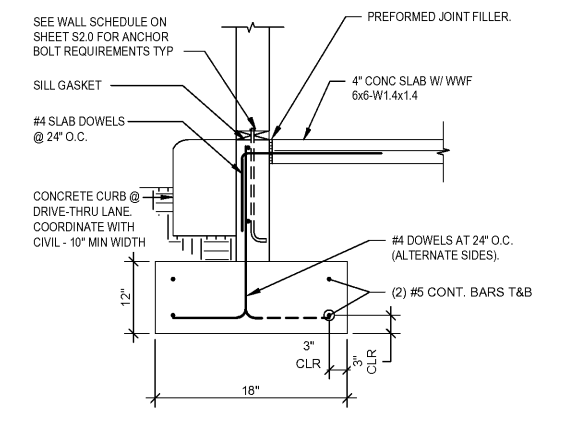
FOOTING AT SHEARWALL 2 3/4" = 1'-0" **2**



FOOTING AT FRONT WALL 3/4" = 1'-0" **7**



FOOTING AT FULL HEIGHT OPENING 3/4" = 1'-0" **3**



FOOTING AT DRIVE THRU 3/4" = 1'-0" **4**

GEORGIA REGISTERED PROFESSIONAL ENGINEER
PAUL G. SCOTT
 No. 420299
 Expires 12/31/2024

10/30/2020

PROJECT NUMBER: 20-1272
 PROJECT MANAGER: RAD
 PROJECT ENGINEER: SA
 PROJECT DRAFTER: ATG

CARUSO TURLEY SCOTT INC.
 consulting structural engineers
 1215 W. Rio Solado Pkwy
 Suite 200
 Tempe, Arizona 85281
 (480) 774-1700
 (480) 774-1701 FAX

CONTRACT DATE: XX/XX/20
 BUILDING TYPE: ENDEAVOR MED 40
 PLAN VERSION: SEPT 2020
 BRAND DESIGNER: 200109
 SITE NUMBER: 297222
 STORE NUMBER: 003717

TACO BELL
 6151 HWY 278 NW
 COVINGTON, GA 30014

TACO BELL
ENDEAVOR
 'GO MOBILE'
STRUCTURAL DETAILS

S4.0