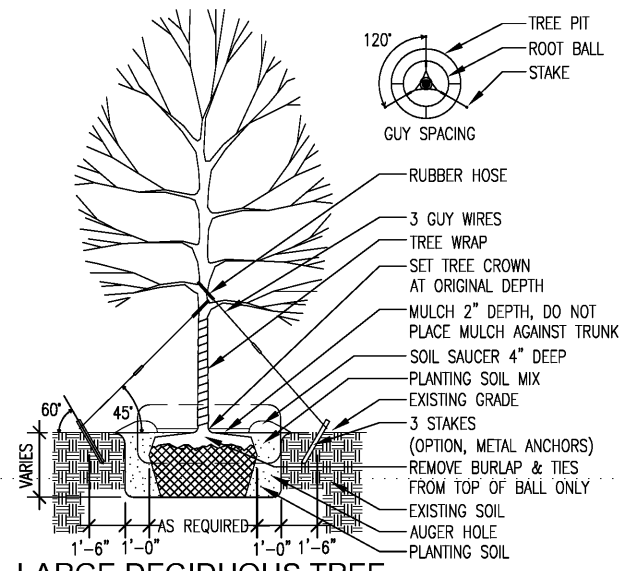
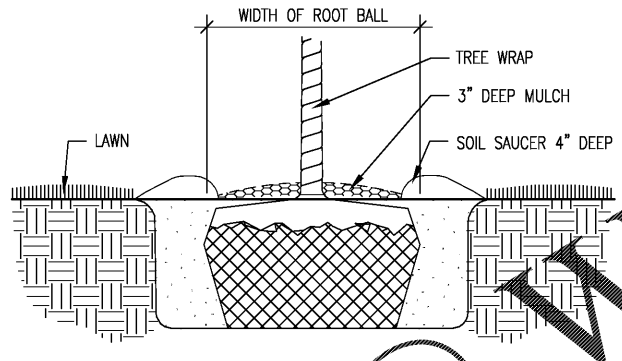


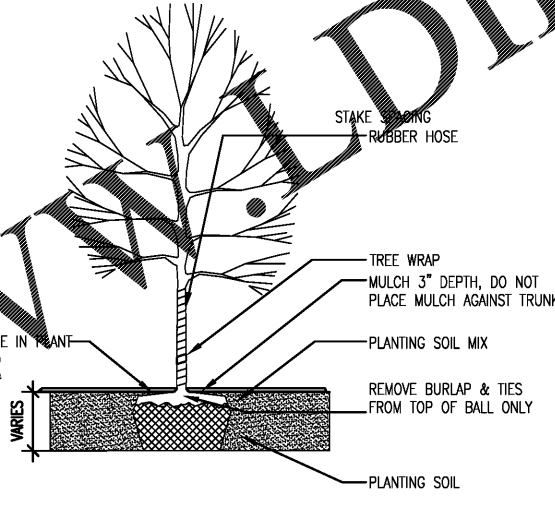
9 METAL EDGE
SCALE: NOT TO SCALE REF. DWG.



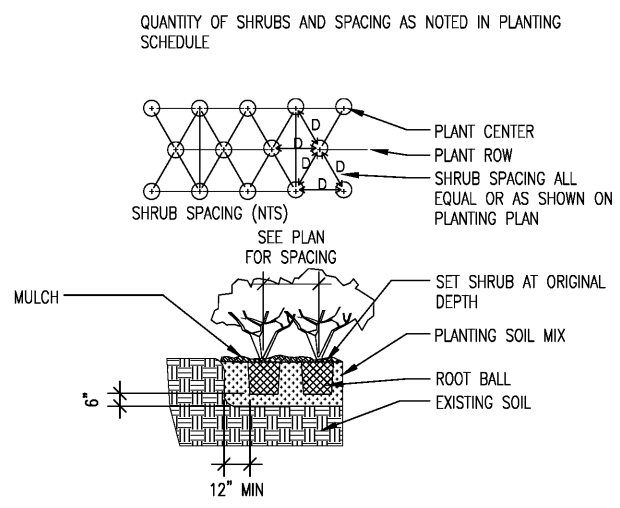
5 LARGE DECIDUOUS TREE PLANTING 3" CAL.
SCALE: NOT TO SCALE REF. DWG.



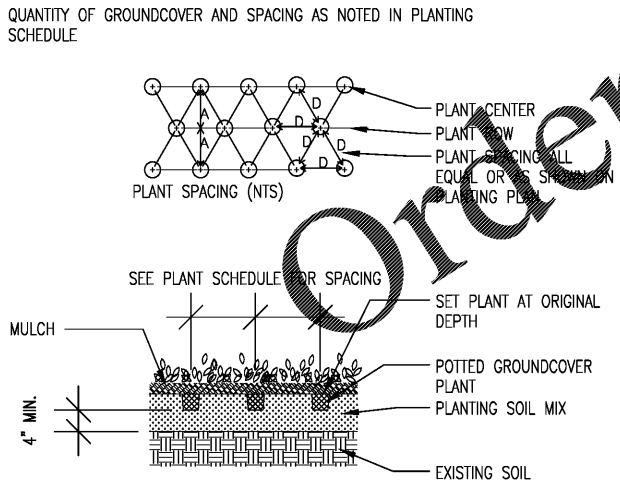
6 TREE IN LAWN
SCALE: NOT TO SCALE REF. DWG.



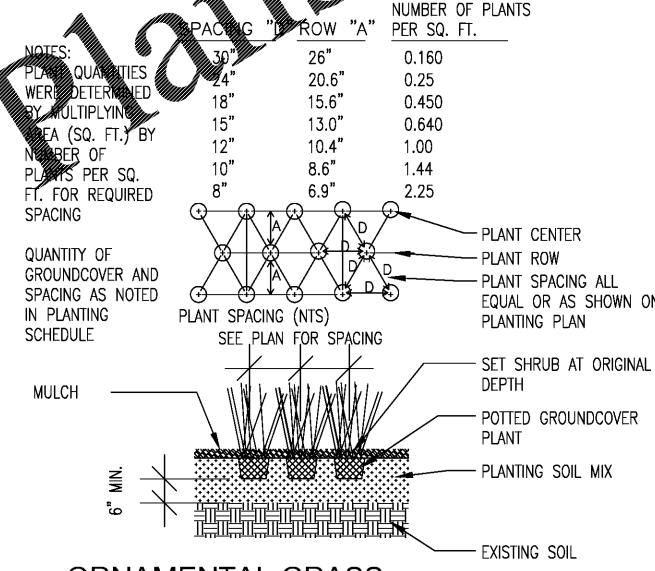
7 FLOWERING/ORNAMENTAL TREE PLANTING < 3" CAL. IN PLANT BED
SCALE: NOT TO SCALE REF. DWG.



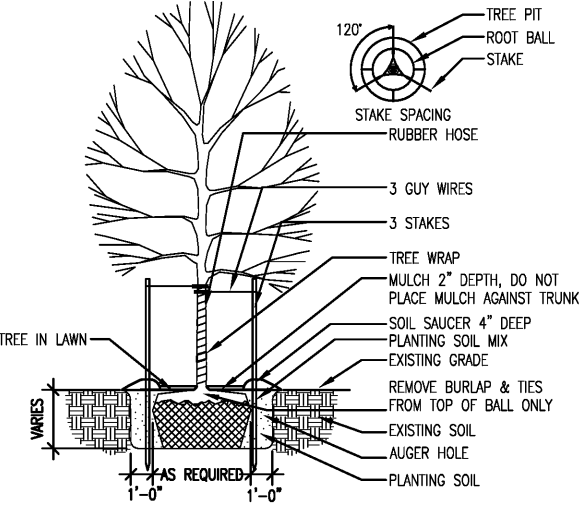
8 SHRUB PLANTING
SCALE: NOT TO SCALE REF. DWG.



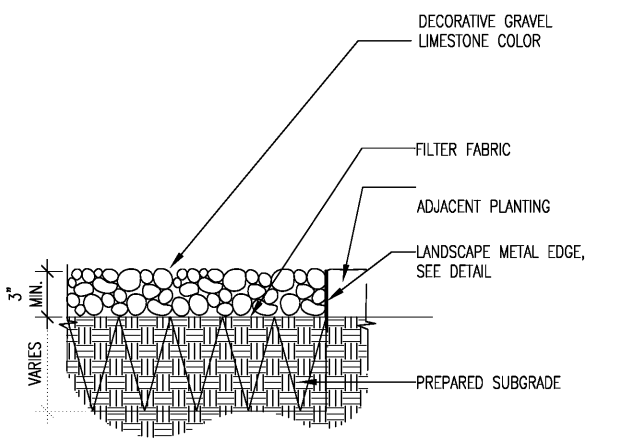
1 GROUNDCOVER PLANTING
SCALE: NOT TO SCALE REF. DWG.



2 ORNAMENTAL GRASS SEDGES/RUSHES/FORBS
SCALE: NOT TO SCALE REF. DWG.



3 FLOWERING/ORNAMENTAL TREE PLANTING < 3" CAL. IN LAWN
SCALE: NOT TO SCALE REF. DWG.



4 DECORATIVE MULCH GRAVEL
SCALE: NOT TO SCALE REF. DWG.

USER: Joe Horvath, TAB: LANDSCAPE DETAILS
DATE: November 10, 2020 - 10:46:05 AM
DRAWING: S:\JOBS\Jobs\2020\20-0033\CAD\A-C-Plan\PlatSheets\0_LPLAN_LAND_DETLS_20-0033.dwg

Order Plans @

WWW.DIline.com

NO	DATE	REVISION DESCRIPTION

CLIENT:
ARCVISION, INC.
1950 CRAIG ROAD, SUITE 300
ST. LOUIS, MO 63146
(314) 415-2400

TACO BELL
6151 HWY 278 NE NW
CONVINGTON, GA 30014

cole
CIVIL ENGINEERING / SURVEYING / PLANNING / LANDSCAPE ARCHITECTURE
1205 S. 98th Street
St. Louis, MO 63123
314.991.8888
www.coledesign.com

DESIGN/CALC BY: JCH
DRAWN BY: JCH
CHECKED BY: JDR
DRAWING SCALE: AS SHOWN
DATE: 11/10/2020
Job Number: 20-0033
Sheet Number: L2.0