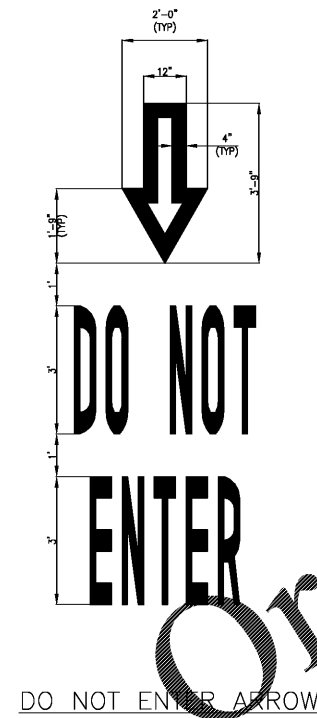
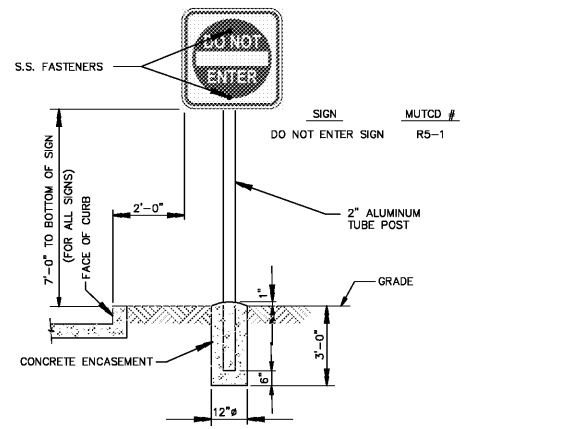


1 HANDICAP SIGN DETAIL
SCALE: N.T.S. REF. DWG. C4.0

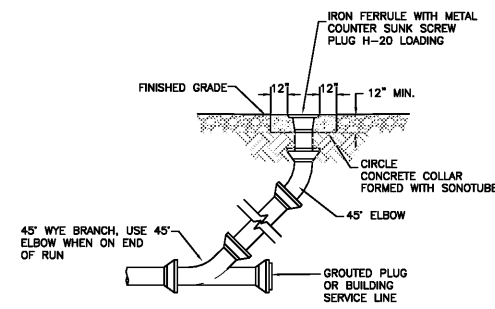


DETAIL NOTES:
1. ARROWS SHALL BE PAINTED SOLID REFLECTIVE YELLOW OR PER LOCAL CODES.

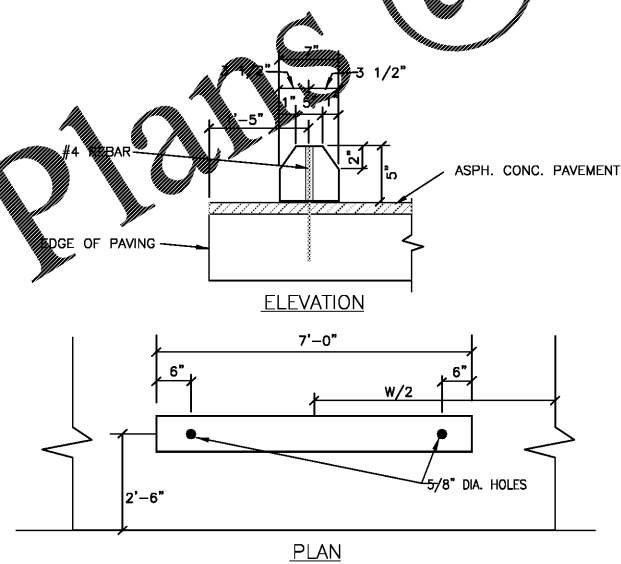
2 DO NOT ENTER DETAIL
SCALE: N.T.S. REF. DWG. C4.0



3 DO NOT ENTER SIGN DETAIL
SCALE: N.T.S. REF. DWG. C4.0

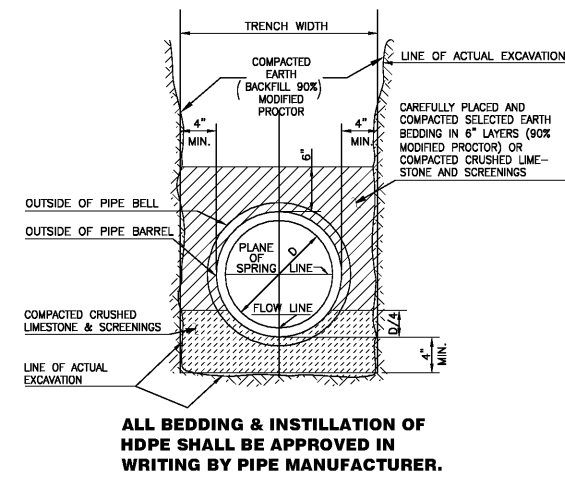


4 SANITARY SEWER CLEANOUT DETAIL
SCALE: N.T.S. REF. DWG. C6.0

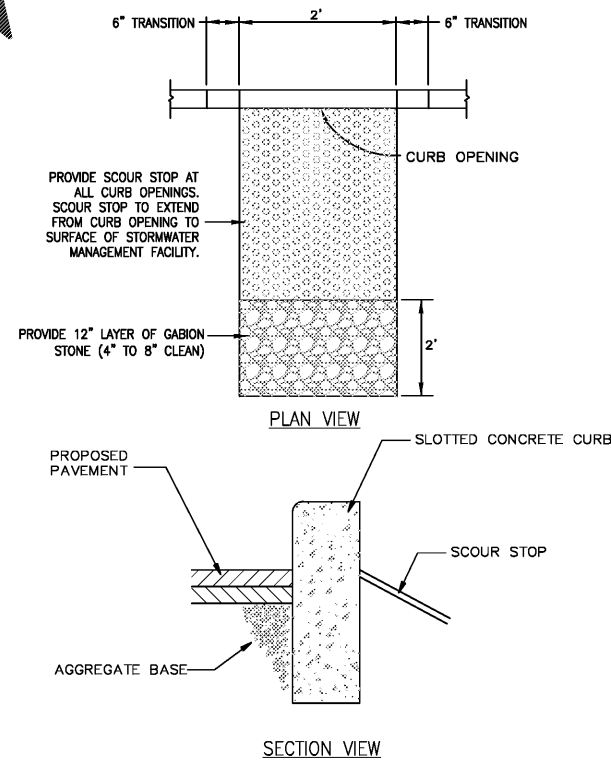


NOTE:
1.) SIMILAR SHAPE MAY BE USED UPON APPROVAL OF ENGINEER. 2.) HOLD IN PLACE WITH 18" LONG #4 REBARS PLACED IN THE HOLES AT EACH END AND DRIVEN FLUSH WITH THE TOP.

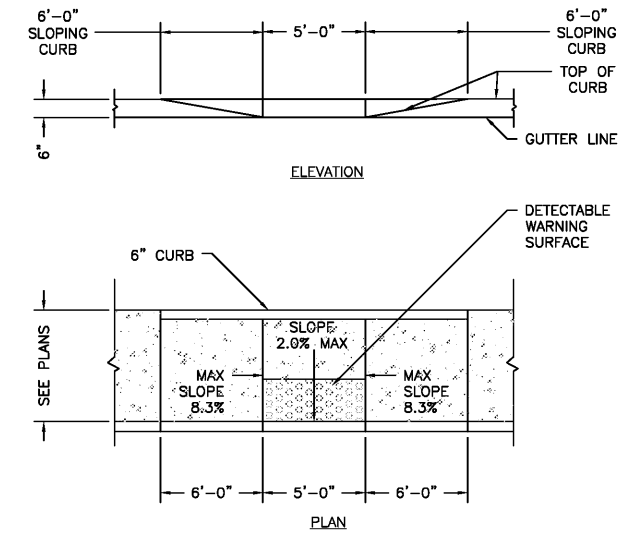
5 WHEEL STOP DETAIL
SCALE: REF. DWG. C4.0



6 HDPE PIPE BEDDING DETAIL
SCALE: N.T.S. REF. DWG. C6.1



7 SOD REINFORCEMENT DETAIL
SCALE: REF. DWG. C4.0



NOTE: MAINTAIN 4" SIDEWALK THICKNESS IN DEPRESSED AREA.

8 PARALLEL ACCESSIBLE RAMP DETAIL
SCALE: N.T.S. REF. DWG. CX.X

USER: L:\rdsy\Drawings\TAE: C8.1
DRAWING: S:\VIBS\work\2020\10-0033\10-0033.dwg
DATE: 11/13/2020

WWW.LDILine.com

CLIENT:
ARCVISION, INC.
1850 CRAIG ROAD, SUITE 300
ST. LOUIS, MO 63146
(314) 415-2400



TACO BELL
6151 HWY 278 NE, NW
CONVENTON, GA 30014
DETAIL SHEET

cole
CIVIL ENGINEERING / SURVEYING / PLANNING / LANDSCAPE ARCHITECTURE

DESIGN/CALC BY: CAW
DRAWN BY: CAW
CHECKED BY: CAW
DRAWING SCALE: NOT TO SCALE
DATE: 11-05-2020
Job Number: 20-0033
Sheet Number: C8.1