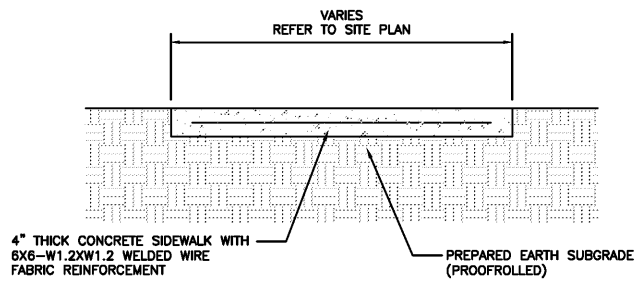


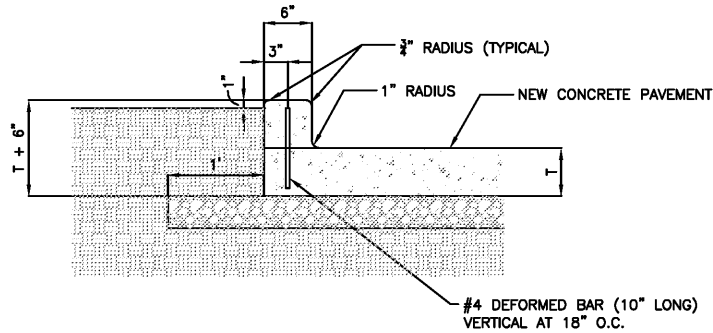
- NOTES:**
- 1.) ALL CONCRETE SHALL BE MIN. FC.=4,000 P.S.I. (UNLESS OTHERWISE NOTED).
 - 2.) ANY UNSUITABLE SOIL (AS DETERMINED BY SOILS ENGINEER) BELOW STRUCTURE SHALL BE REMOVED AND REPLACED WITH SELECT EARTHEN MATERIAL COMPACTED IN PLACE WITH VIBRATORY TAMPER.
 - 3.) ALL EXPOSED CONCRETE EDGES TO HAVE 3/4" CHAMFER.
 - 4.) DIMENSIONS SHOWN ARE TO FACE OF CURB.

1 CONCRETE CURB AND GUTTER DETAIL
SCALE: N.T.S. REF. DWG. CX.X



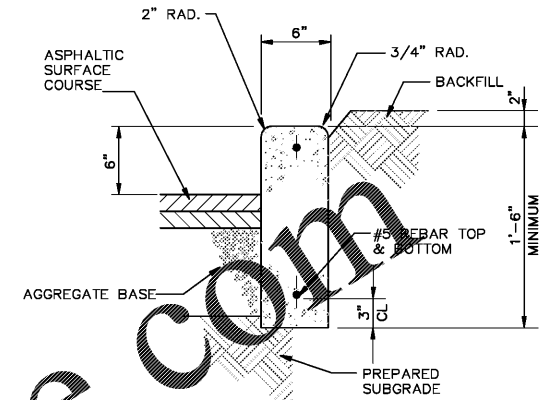
- DETAIL NOTES:**
1. PROVIDE 3" PREMOLDED EXPANSION JOINT FILLER AT 60' CENTERS.
 2. PROVIDE TOOLED CONTRACTION JOINTS AT 10' CENTERS.

2 CONCRETE SIDEWALK DETAIL
SCALE: N.T.S. REF. DWG. C4.0

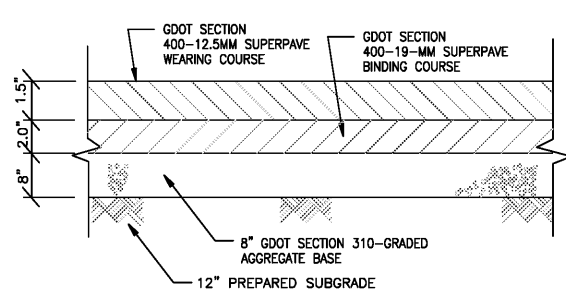


- DETAIL NOTES:**
1. COMPACT AGGREGATE BASE COURSE TO 95% MODIFIED PROCTOR PER ASTM D-1557.
 2. COMPACT PREPARED EARTH SUBGRADE TO 90% OR GREATER OF MAXIMUM DRY DENSITY PER ASTM D-1557.
 3. IF CURB IS POURED INTEGRAL WITH PAVEMENT, THEN DOWEL BAR AND CONSTRUCTION JOINT MAY BE OMITTED.
 4. CONTINUE ALL PAVEMENT JOINTS THROUGH CURB.

3 INTEGRAL CONCRETE CURB DETAIL (STANDARD SECTION)
SCALE: N.T.S. REF. DWG. C4.0

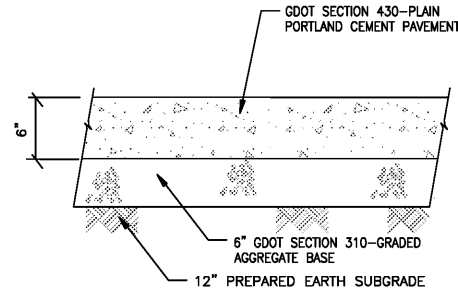


4 VERTICAL CONCRETE CURB DETAIL
SCALE: N.T.S. REF. DWG. C4.0



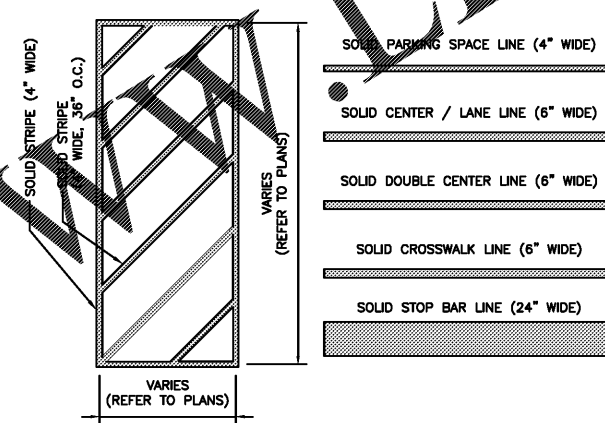
NOTE:
PAVEMENT DETAILS SHOWN FOR REFERENCE ONLY. CONTRACTOR TO VERIFY FINAL PAVEMENT REQUIREMENTS WITH GEOTECH REPORT AND/OR OWNER.

5 ASPHALT PAVEMENT (HEAVY DUTY)
SCALE: N.T.S. REF. DWG. C4.0

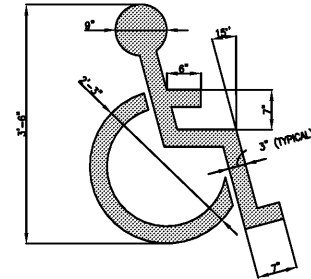


NOTE:
PAVEMENT DETAILS SHOWN FOR REFERENCE ONLY. CONTRACTOR TO VERIFY FINAL PAVEMENT REQUIREMENTS WITH GEOTECH REPORT AND/OR OWNER.
CONTRACTOR TO INSTALL CONCRETE PAVEMENT JOINTS PER THE AMERICAN CONCRETE INSTITUTES "GUIDE FOR DESIGN AND CONSTRUCTION CONCRETE PARKING LOTS"

6 CONCRETE PAVEMENT (HEAVY DUTY)
SCALE: N.T.S. REF. DWG. C4.0

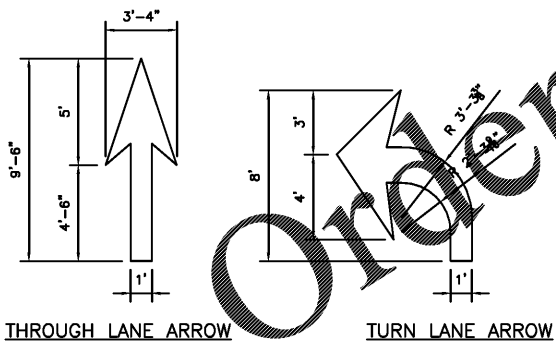


7 PAVEMENT STRIPING DETAIL
SCALE: N.T.S. REF. DWG. C4.0



- DETAIL NOTES:**
1. SYMBOL COLOR SHALL COMPLY WITH ALL LOCAL REGULATIONS.

8 HANDICAP SYMBOL DETAIL
SCALE: N.T.S. REF. DWG. C4.0



- DETAIL NOTES:**
1. RIGHT TURN ARROW TO BE THE REVERSE OF TURN LANE ARROW SHOWN ABOVE.
 2. ARROWS SHALL BE PAINTED REFLECTIVE WHITE.
 3. ARROWS SHALL BE APPLIED PER CHAPTER 3B OF THE MUTCD, LATEST EDITION.

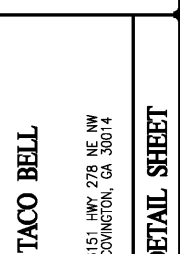
9 TRAFFIC FLOW ARROW DETAIL
SCALE: N.T.S. REF. DWG. C4.0

USER: L:\risky\Drawings\TAB: C8.0
DRAWING: S:\VBS\Drawings\20-0033\CAD\1\Plan\Detail\20-0033.dwg

NO.	REVISION DESCRIPTION	DATE

CLIENT:
ARCADON, INC.
1850 CRAIG ROAD, SUITE 300
ST. LOUIS, MO 63146
(314) 415-2400

THE PROFESSIONAL ENGINEER'S SEAL AND SIGNATURE SHALL APPEAR HEREON. THE ENGINEER ASSUMES RESPONSIBILITY FOR THE DESIGN AND CONSTRUCTION OF THE PROJECT. THE ENGINEER'S SEAL AND SIGNATURE SHALL BE APPLIED TO THE DRAWING BEFORE IT IS USED FOR ANY PART OR PARTS OF THE PROJECT TO WHICH THIS PAGE REFERS.



TACO BELL
6151 HWY 278 NE, NW
COWINGTON, GA 30014



DESIGN/CALC BY	CAW
DRAWN BY	CAW
CHECKED BY	CAW
DRAWING SCALE	NOT TO SCALE
DATE	11-05-2020
Job Number	20-0033
Sheet Number	C8.0