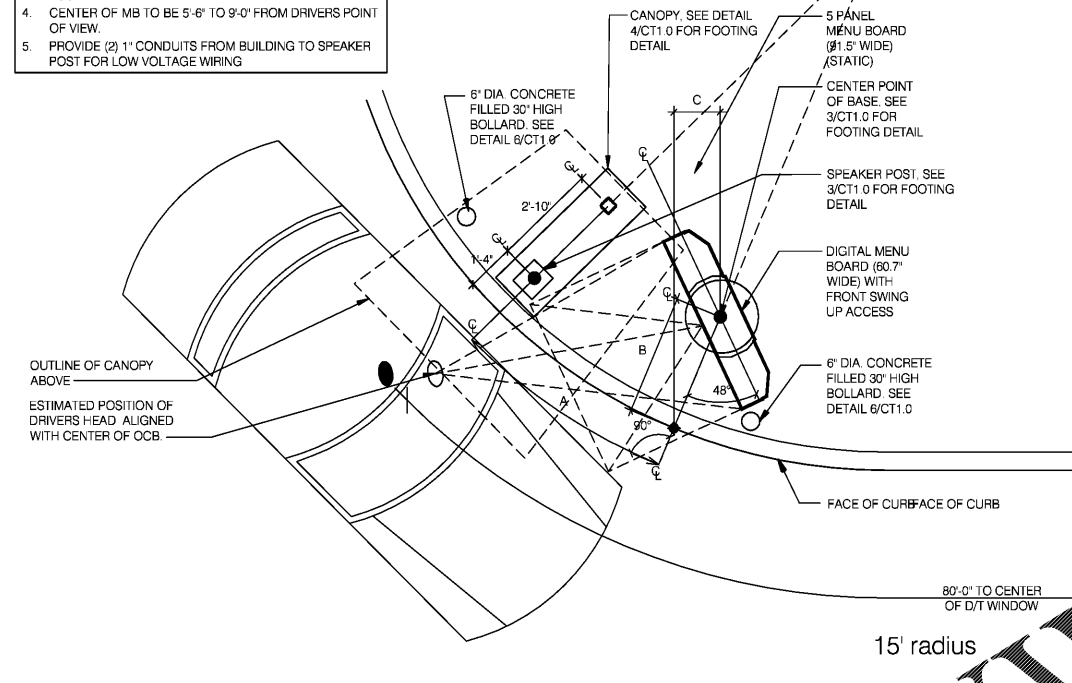


BOLLARD AT DRIVE THRU N.T.S. **6**

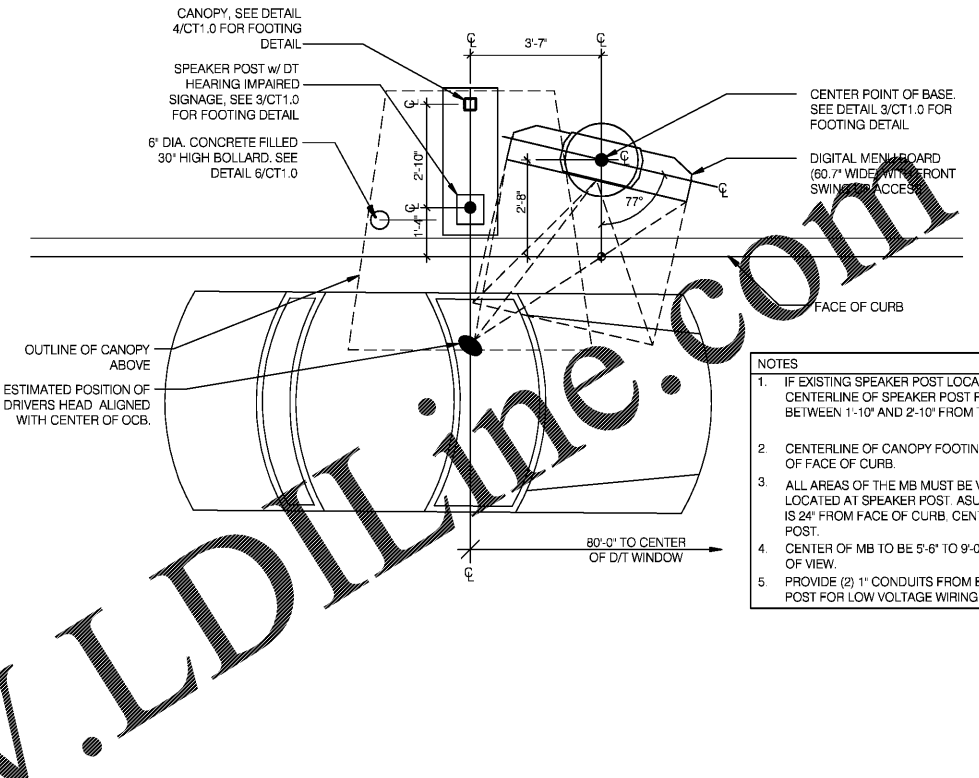
- NOTES**
- IF EXISTING SPEAKER POST LOCATION IS TO BE REUSED, CENTERLINE OF SPEAKER POST FOOTING CAN BE BETWEEN 1'-10" AND 2'-10" FROM THE FACE OF CURB.
 - CENTERLINE OF CANOPY FOOTING MUST BE WITHIN 18" OF FACE OF CURB.
 - ALL AREAS OF THE MB MUST BE VISIBLE TO DRIVER LOCATED AT SPEAKER POST. ASSUME DRIVERS LOCATION IS 24" FROM FACE OF CURB, CENTERED ON SPEAKER POST.
 - CENTER OF MB TO BE 5'-6" TO 9'-0" FROM DRIVERS POINT OF VIEW.
 - PROVIDE (2) 1" CONDUITS FROM BUILDING TO SPEAKER POST FOR LOW VOLTAGE WIRING.



ENLARGED MENU BOARD DETAIL @ CURVED CURB 3/8" = 1'-0" **10**

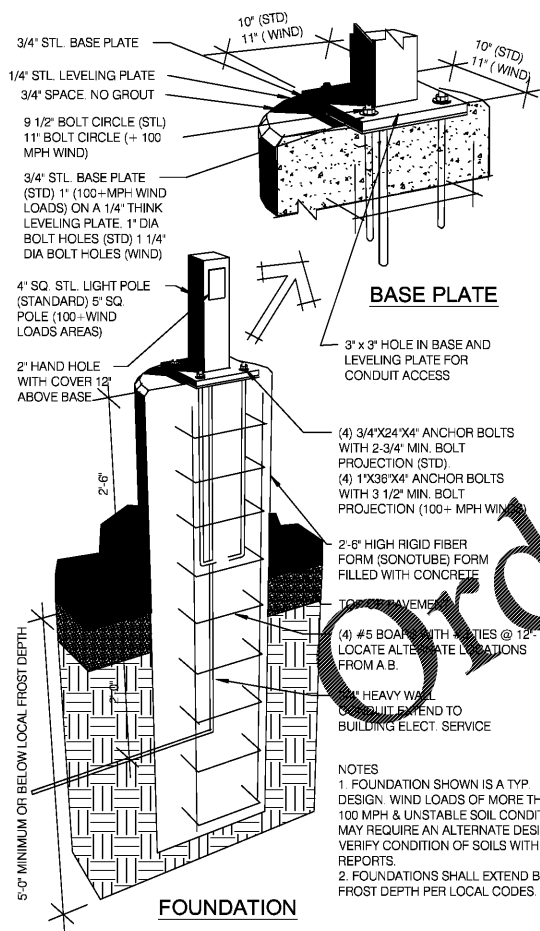
CORNER DIMENSIONS

RADIUS	A	B	C	MENU BRD DEG TILT
15'-0"	6'-3"	3'-3"	1'-3"	48°
18'-0"	5'-10"	3'-6"	1'-7"	52°
20'-0"	5'-11"	3'-7"	1'-9"	54°

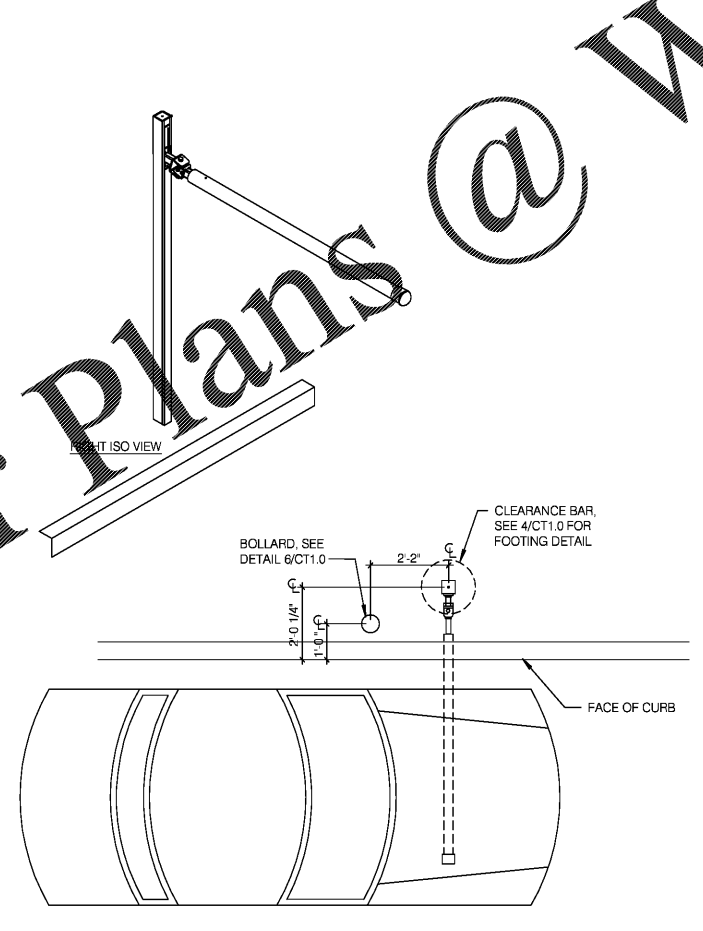


ENLARGED MENU BOARD DETAIL @ STRAIGHT CURB 3/8" = 1'-0" **2**

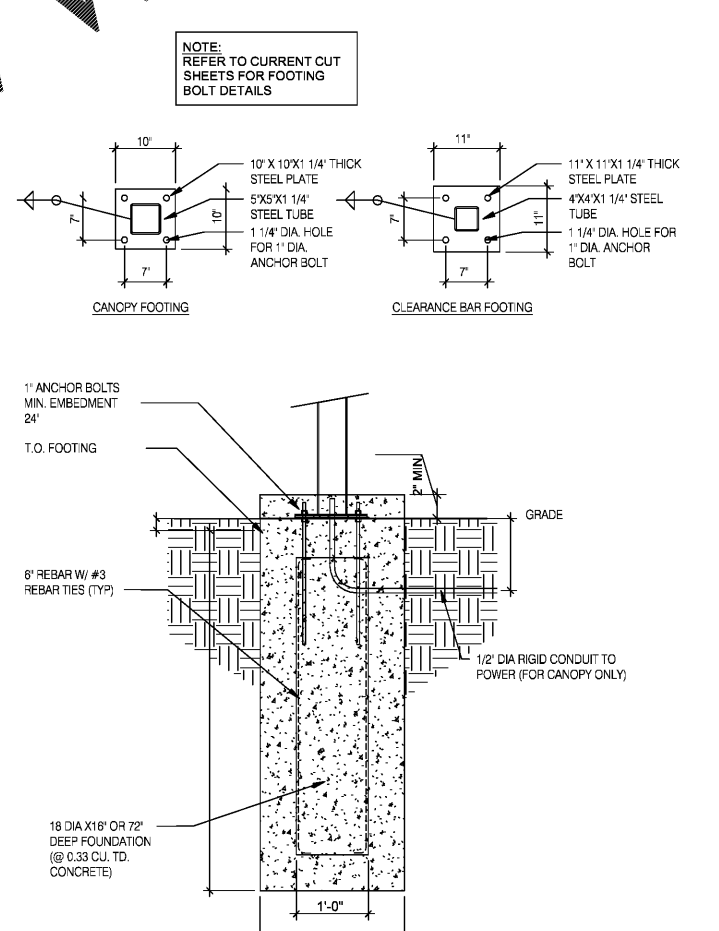
- NOTES**
- IF EXISTING SPEAKER POST LOCATION IS TO BE REUSED, CENTERLINE OF SPEAKER POST FOOTING CAN BE BETWEEN 1'-10" AND 2'-10" FROM THE FACE OF CURB.
 - CENTERLINE OF CANOPY FOOTING MUST BE WITHIN 18" OF FACE OF CURB.
 - ALL AREAS OF THE MB MUST BE VISIBLE TO DRIVER LOCATED AT SPEAKER POST. ASSUME DRIVERS LOCATION IS 24" FROM FACE OF CURB, CENTERED ON SPEAKER POST.
 - CENTER OF MB TO BE 5'-6" TO 9'-0" FROM DRIVERS POINT OF VIEW.
 - PROVIDE (2) 1" CONDUITS FROM BUILDING TO SPEAKER POST FOR LOW VOLTAGE WIRING.



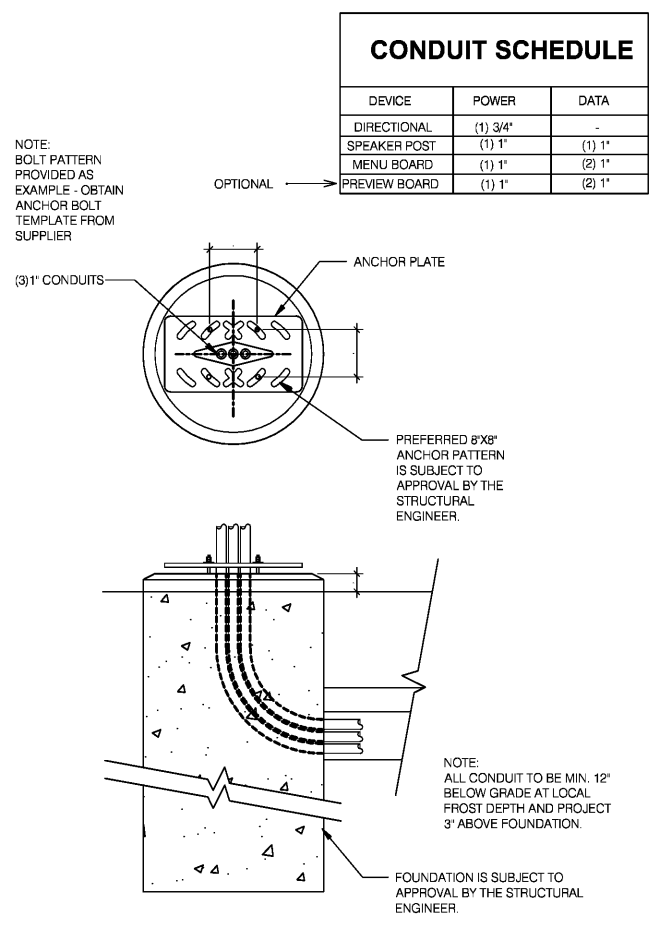
LIGHT POLE FOOTING N.T.S. **7**



PORTAL PLACEMENT DETAIL N.T.S. **5**



CANOPY FOOTING N.T.S. **4**



MENU FOUNDATION N.T.S. **3**

CONDUIT SCHEDULE

DEVICE	POWER	DATA
DIRECTIONAL	(1) 3/4"	-
SPEAKER POST	(1) 1"	(1) 1"
MENU BOARD	(1) 1"	(2) 1"
PREVIEW BOARD	(1) 1"	(2) 1"

FREDERICK J. GOGLIA
 ARCHITECT, NCARB, RDI
 1950 CRAIG ROAD, SUITE 300
 ST. LOUIS, MO 63146
 PH. (314) 415-2400 FAX (314) 415-2300 www.rfjg.com

CONTRACT DATE: 11/17/20
 BUILDING TYPE: ENDEAVOR MED 40
 PLAN VERSION: SEPT 2020
 BRAND DESIGNER: 200109
 SITE NUMBER: 297222
 STORE NUMBER: 003717
 ARCVERSION: 200188

TACO BELL
 8151 HWY 278 NW
 COVINGTON, GA 30014

ENDEAVOR
 "GO MOBILE"

SITE DETAILS
CT1.0