



ROBERT JOHNSON
architects
1808 West Morehead St.
Charlotte, NC 28208
T 704 / 342.1058
F 704 / 342.3043

STAMPS



9/30/2020

CONSULTANT



WAVE ENGINEERING
1805 S. WINDYBUSH BLVD
CHARLOTTE, NC 28203
INFORMATION@WAVEENGINEERING.COM
LICENSE # 35478-TEST
WAVE PROJECT # 2020-01

MIDSOUTH
CARPENTER'S
TRAINING
TRUST
La Vergne, TN

PROJECT NUMBER 1982

ISSUE DATE

FOR PERMIT 09.30.20

DATE

DATE

DATE

DATE

DATE

DATE

DATE

DATE

DATE

DATE

DATE

DATE

DATE

DATE

DATE

DATE

DATE

DATE

DATE

DATE

DATE

DATE

DATE

DATE

DATE

DATE

DATE

DATE

DATE

DATE

DATE

DATE

DATE

DATE

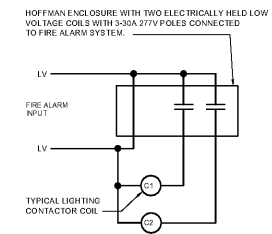
DATE

DATE

DATE

DATE

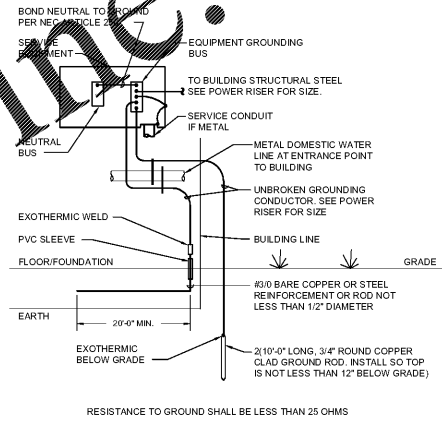
DATE



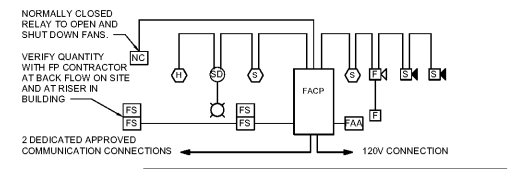
| CONTACTOR | COIL VOLTAGE | POLES | CIRCUITS SWITCHED |
|-----------|--------------|-------|-------------------|
| LC-1 | MVOLT | 3 | 1H-19,21,23 |
| LC-2 | MVOLT | 3 | 1H-20,22,24 |

8 FAN SHUT-DOWN DETAIL
E-3.1 NO SCALE

UPON ACTIVATION OF FIRE ALARM SYSTEM, THE POWER TO BOTH FANS SHALL BE DEACTIVATED.



6 SERVICE GROUNDING DETAIL
E-3.1 NO SCALE

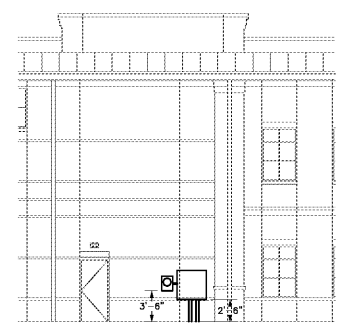


- FIRE ALARM RISER NOTES:
1. FACP SHALL HAVE A MINIMUM 24HR. BATTERY BACKUP.
 2. FACP SHALL BE CONNECTED TO A UL APPROVED CENTRAL STATION.
 3. ZONE PER NFPA 72 AND MANUFACTURER'S RECOMMENDATIONS.
 4. SEE PLANS FOR EXACT DEVICE QUANTITY AND LOCATIONS.
 5. SEE SPECIFICATIONS FOR ADDITIONAL REQUIREMENTS.

7 FIRE ALARM RISER DIAGRAM
E-3.1 NO SCALE

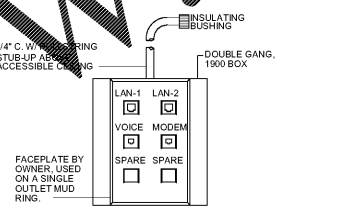
| SEQUENCE OF OPERATIONS | BUILDING SYSTEM OUTPUTS | | CENTRAL COMM. |
|--|------------------------------|------------------------------------|---------------|
| | ACTIVATE COMMON ALARM SIGNAL | ACTIVATE COMMON SUPERVISORY SIGNAL | |
| 1. MANUAL PULL STATION ALARM | ■ | ■ | ■ |
| 2. BUILDING SMOKE DETECTOR | ■ | ■ | ■ |
| 3. DUCT DETECTOR ALARM | ■ | ■ | ■ |
| 4. SMOKE DETECTOR DIRTY/FUNCTION - ALL | ■ | ■ | ■ |
| 5. SPRINKLER WATER FLOW | ■ | ■ | ■ |
| 6. SPRINKLER TAMPER | ■ | ■ | ■ |
| 7. FIRE ALARM AC POWER FAILURE | ■ | ■ | ■ |
| 8. FIRE ALARM SYSTEM LOW BATTERY | ■ | ■ | ■ |
| 9. OPEN CIRCUIT | ■ | ■ | ■ |
| 10. GROUND FAULT | ■ | ■ | ■ |
| 11. NOTIFICATION APPLIANCE CIRCUIT SHORT | ■ | ■ | ■ |
| 12. SYSTEM RESET | ■ | ■ | ■ |

NOTES:
1. 'SYSTEM RESET' SHALL CLEAR ALL DETECTOR AND MANUAL ALARM SIGNALS, STOP AND RESET THE PRE-DISCHARGE COUNTDOWN, AND STOP TRANSMISSION OF ALL ALARM SIGNALS TO THE MAIN PANEL.
2. SYSTEM SHALL BE PROGRAMMED SUCH THAT THE SYSTEM CAN BE RESET WHILE THE MANUAL ABORT BUTTON IS ACTIVATED.
3. SYSTEM SHALL HAVE A 3 BEAT TEMPORAL SOUND PATTERN.

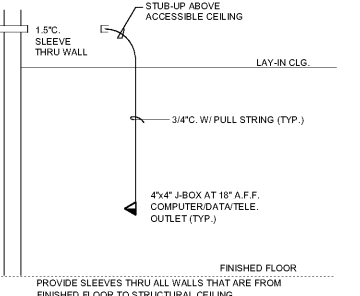


6 PARTIAL ELEVATION WITH ELECTRICAL
E-3.1 SCALE: 1/8" = 1'-0"

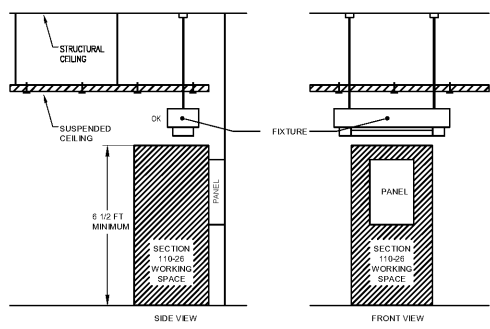
- NOTES:
1. VERIFY LOCATION WITH ARCHITECTURAL ELEVATIONS PRIOR TO BEGINNING WORK. COORDINATE WITH UTILITY COMPANY PRIOR TO PROJECT START-UP.



3 COMPUTER/DATA/TEL. OUTLET BOX DETAIL
E-3.1 NO SCALE

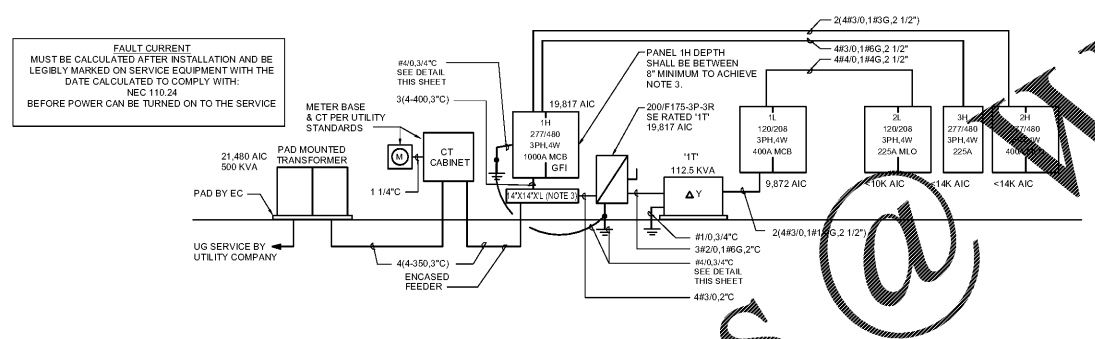


4 COMPUTER/DATA/TEL. OUTLET DETAIL
E-3.1 NO SCALE



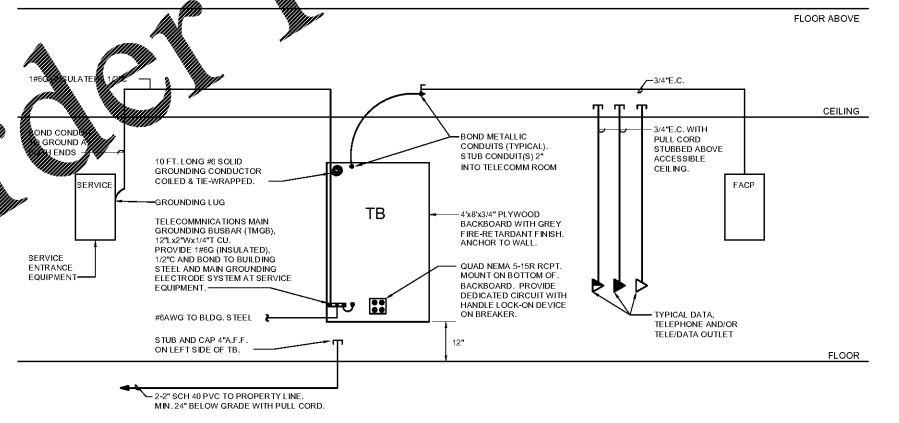
5 WORKING CLEARANCE FOR ELECTRICAL EQUIPMENT
E-3.1 NEC ARTICLE 110.26

FAULT CURRENT MUST BE CALCULATED AFTER INSTALLATION AND BE LEGIBLY MARKED ON SERVICE EQUIPMENT WITH THE DATE CALCULATED TO COMPLY WITH: NEC 110.24 BEFORE POWER CAN BE TURNED ON TO THE SERVICE.



1 POWER RISER DIAGRAM
E-3.1 NO SCALE - DIAGRAMMATIC ONLY

- NOTES:
1. PAD TO BE INSTALLED BY ELECTRICAL CONTRACTOR PER UTILITY SPECIFICATIONS.
2. FAULT CURRENT RATING BASED ON 500 KVA TRANSFORMER LOCATED 50 FEET FROM METERS. VERIFY WITH UTILITY COMPANY. PROVIDE PHENOLIC LABEL WITH DETERMINED FAULT CURRENT RATING AT SERVICE ENTRANCE EQUIPMENT.
3. ELECTRICAL SERVICE THROUGH SHALL BE NO MORE THAN 6' PAST PANEL BOARD'S PER NEC 220.6(A)(1). DISCONNECT IT SHALL BE FED FROM SIDE OF TROUGH.



2 TELEPHONE RISER DIAGRAM
E-3.1 NO SCALE

- TELEPHONE RISER DIAGRAM NOTES:
1. FLOOR PLANS INDICATE THE EXACT QUANTITY AND LOCATION OF ALL TELEPHONE AND/OR DATA OUTLETS.
2. ALL TELEPHONE AND/OR DATA WIRING AND EQUIPMENT SHALL BE PROVIDED BY THE OWNER'S TELEPHONE SUPPLIER.

Order Plans @ WWW.LDILine.com

DRAWING DATA
DRAWN BY: GKG
CHECKED BY: MJS

SHEET TITLE
ELECTRICAL
DETAILS

SHEET NUMBER

E-3.1