



ROBERT JOHNSON  
architects  
1808 West Morehead St.  
Charlotte, NC 28208  
T 704 / 342.1058  
F 704 / 342.3043

STAMPS



CONSULTANT



MIDSOUTH  
CARPENTER'S  
TRAINING  
TRUST  
  
La Vergne, TN

PROJECT NUMBER 1987  
ISSUE DATE  
FOR PERMIT 09.30.20

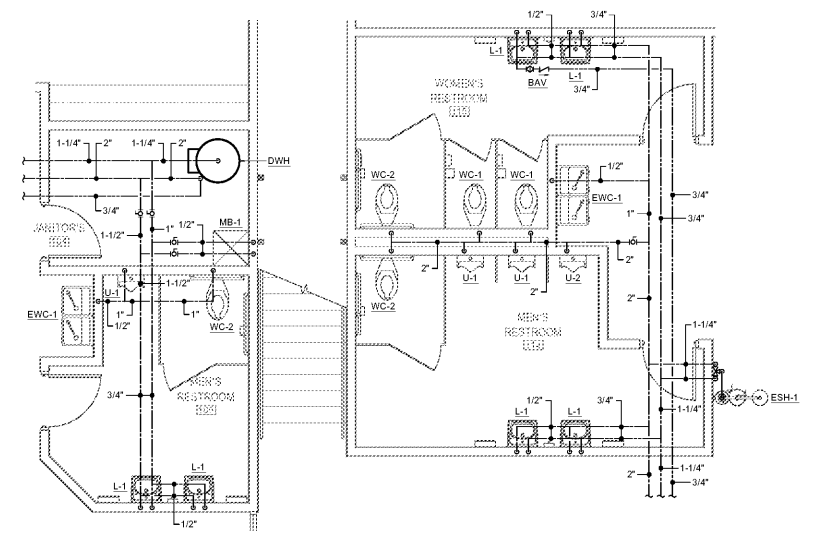
DRAWING DATA  
DRAWN BY: SBC  
CHECKED BY: MJS

SHEET TITLE  
PLUMBING  
ENLARGED  
PLANS

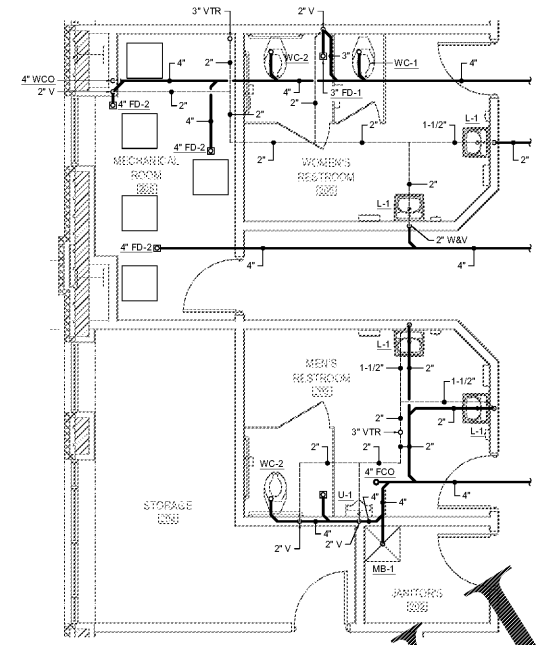
This drawing is the property of ROBERT JOHNSON ARCHITECTS, INC. and is not to be reproduced or copied in whole or in part. It is only to be used for the project and site specifically identified therein and is not to be used on any other project. It is to be returned upon request.

SHEET NUMBER

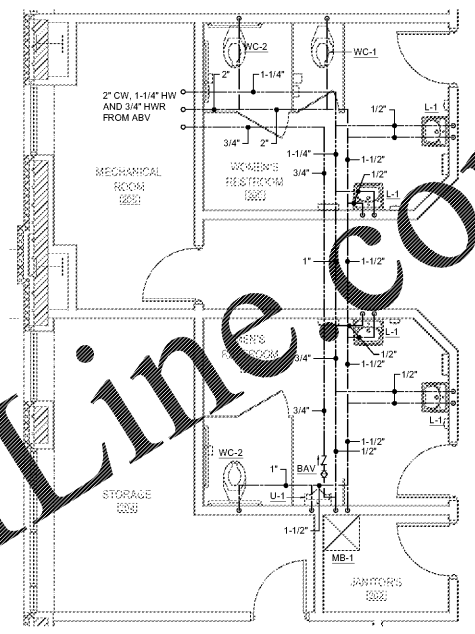
P-2.1



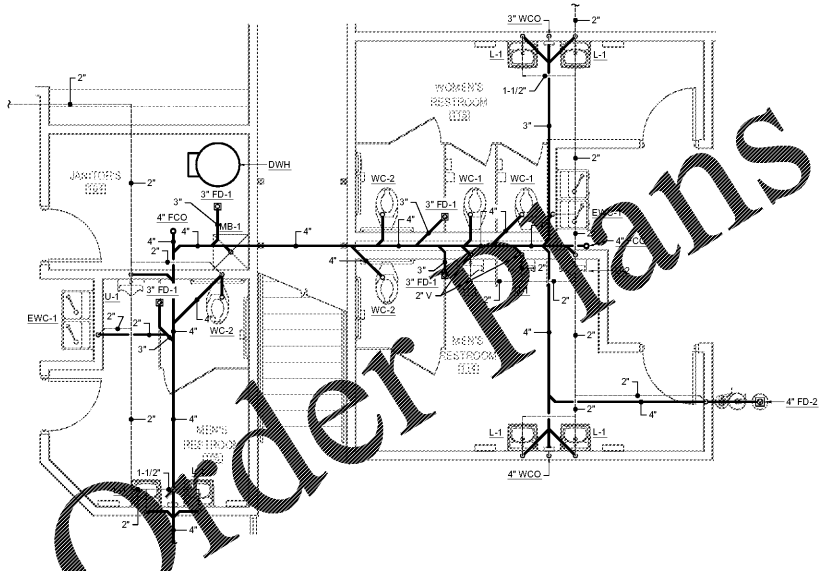
2 MAIN FLOOR WATER PLAN  
SCALE: 1/4" = 1'-0"



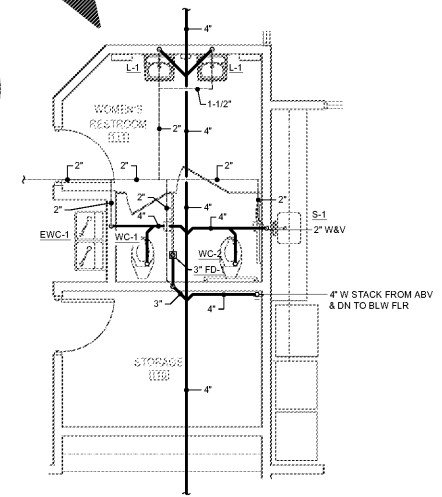
5 MEZZANINE WASTE & VENT PLAN  
SCALE: 1/4" = 1'-0"



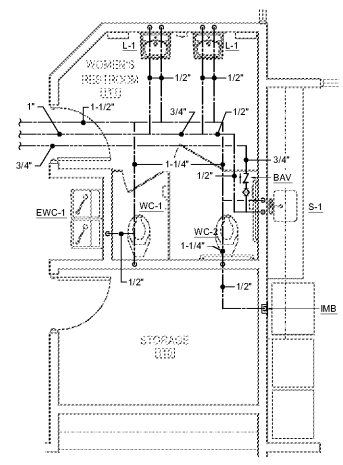
6 MEZZANINE WATER PLAN  
SCALE: 1/4" = 1'-0"



3 MAIN FLOOR WASTE & VENT PLAN  
SCALE: 1/4" = 1'-0"



4 MAIN FLOOR WASTE & VENT PLAN  
SCALE: 1/4" = 1'-0"



4 MAIN FLOOR WATER PLAN  
SCALE: 1/4" = 1'-0"

GENERAL NOTES THIS SHEET

- SEE FIXTURE SCHEDULE ON SHEET P-0.1 FOR SIZES OF DOMESTIC WATER AND SANITARY WASTE AND VENT CONNECTIONS TO INDIVIDUAL FIXTURES.
- MINIMUM SIZE FOR SANITARY WASTE AND VENT PIPING BELOW GROUND SHALL BE 2".
- ALL DOMESTIC WATER PIPING SHOWN ON THIS SHEET SHALL BE RUN ABOVE CEILINGS IN AREAS WITH CEILINGS AND SHALL BE RUN AS HIGH AS POSSIBLE IN AREAS WITHOUT CEILINGS, UNLESS OTHERWISE NOTED.
- ALL SANITARY VENT PIPING SHOWN ON THIS SHEET SHALL BE RUN ABOVE CEILINGS IN AREAS WITH CEILINGS AND SHALL BE RUN AS HIGH AS POSSIBLE IN AREAS WITHOUT CEILINGS, UNLESS OTHERWISE NOTED. ALL SANITARY WASTE PIPING SHOWN ON THIS SHEET SHALL BE RUN BELOW FLOORS, UNLESS OTHERWISE NOTED.

Order Plans @

WWW.LDILine.com