



ROBERT JOHNSON
architects
1808 West Morehead St.
Charlotte, NC 28208
T 704 / 342.1058
F 704 / 342.3043

CONSULTANT

bennett & pless
formerly KingGuinn Associates

Atlanta, Georgia • Boca Raton, Florida
Charlotte, North Carolina • Chattanooga, Tennessee
1864 - 2020 Celebrating 156
Years of Structural Excellence
1309 Amelia Drive
Cherokee, North Carolina 28206
Tel: 704.587.1340 Fax: 704.587.1380
Copyright 2020 • Bennett & Pless, Inc.
All Rights Reserved
B & P Job Number 2020.107

STAMPS



9/30/20

**MIDSOUTH
CARPENTER'S
TRAINING
TRUST**

LA VERGNE, TN

PROJECT NUMBER 18101
ISSUE DATE
For Permit 09.30.20

DRAWING DATA

DRAWN BY: Author
CHECKED BY: Checker

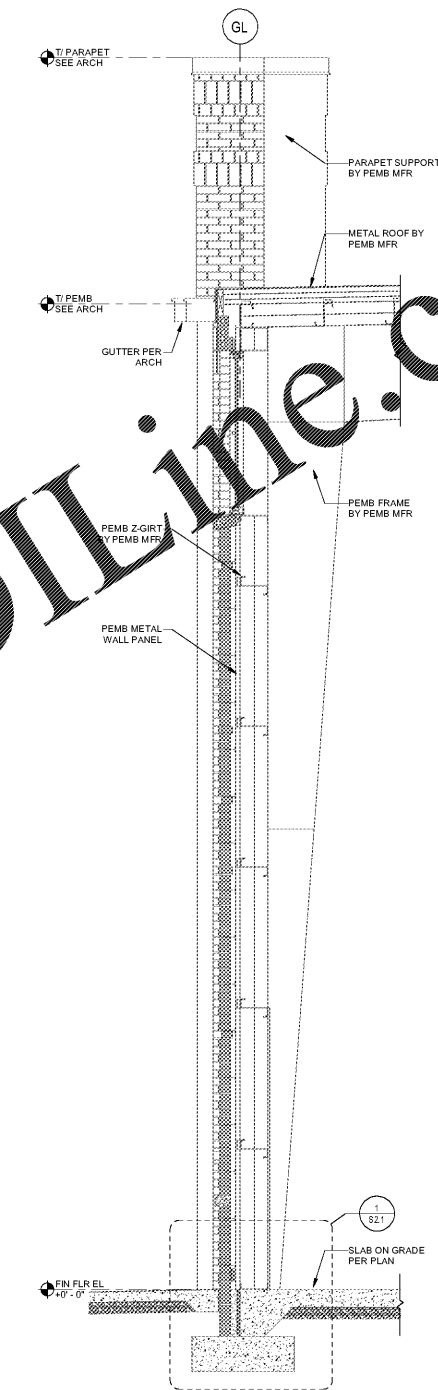
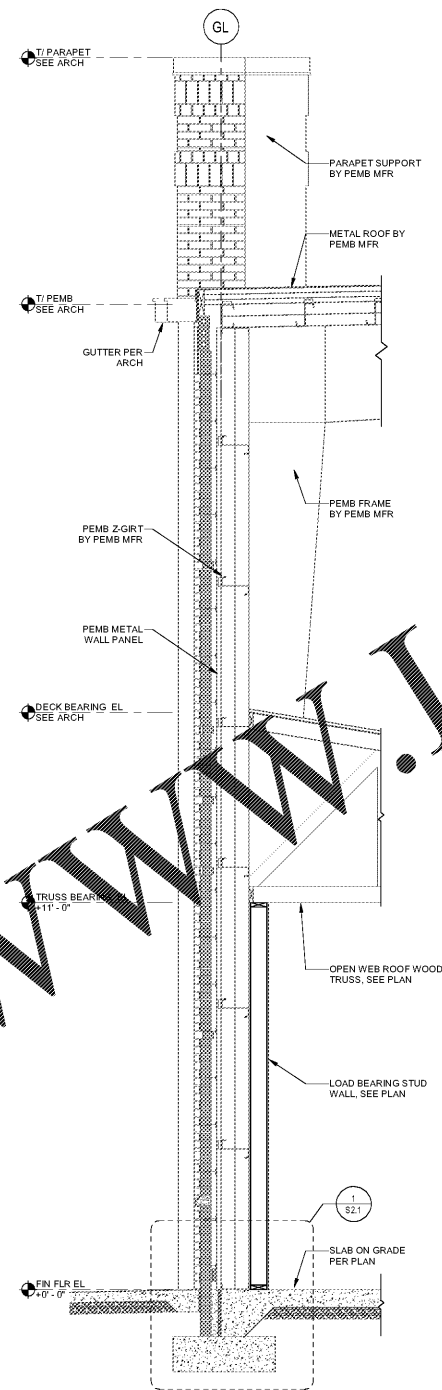
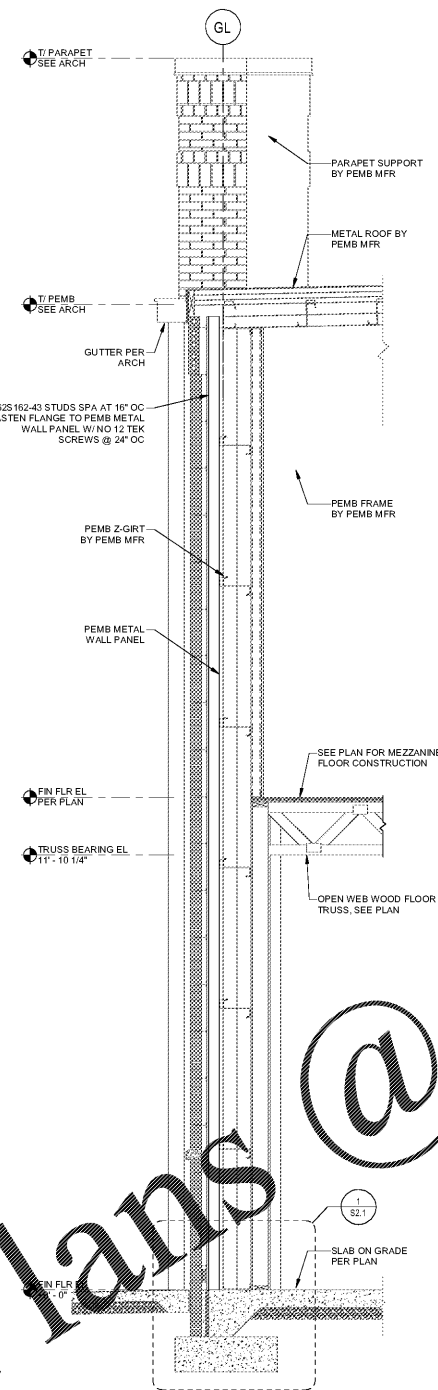
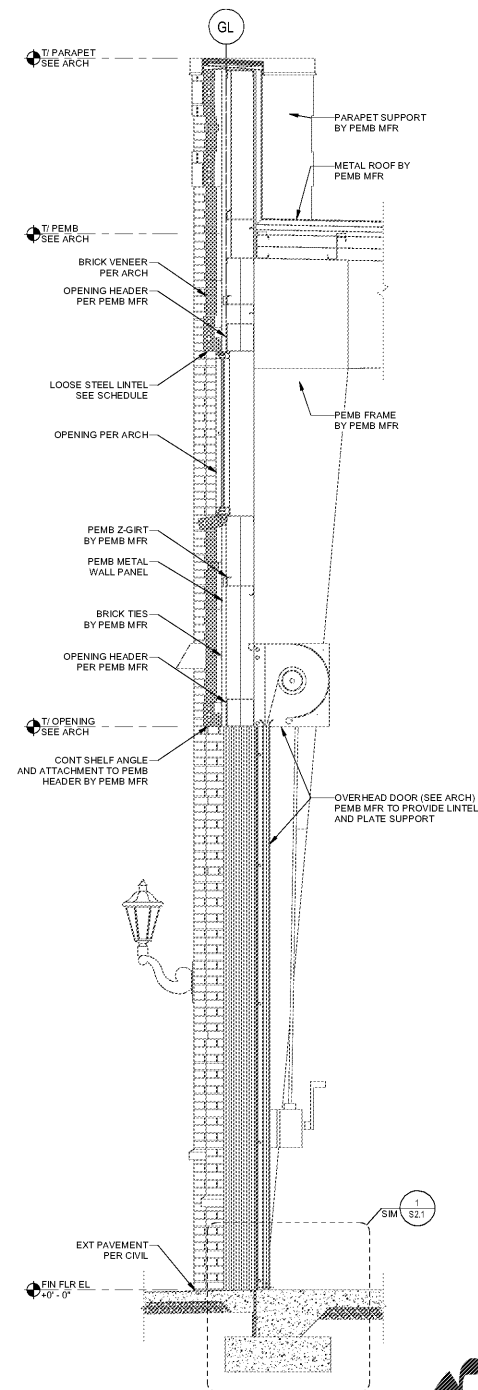
SHEET TITLE

**WALL
SECTIONS**

This drawing is the property of ROBERT JOHNSON ARCHITECTS, Inc. and is not to be reproduced or copied in whole or in part. It is only to be used for the project and is specifically identified herein and is not to be used on any other project. It is to be returned upon request.

SHEET NUMBER

S4.2



Order Plans @ www.LDILine.com