

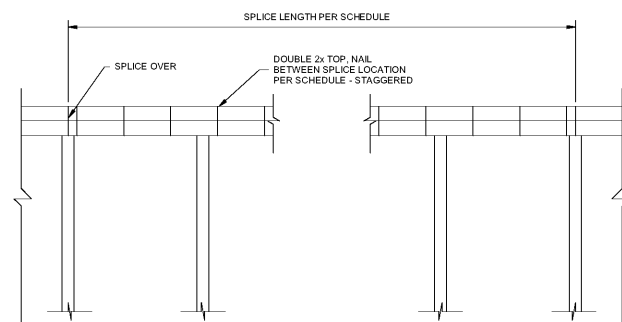


**ROBERT JOHNSON**  
architects  
1808 West Morehead St.  
Charlotte, NC 28208  
T 704 / 342.1058  
F 704 / 342.3043

CONSULTANT

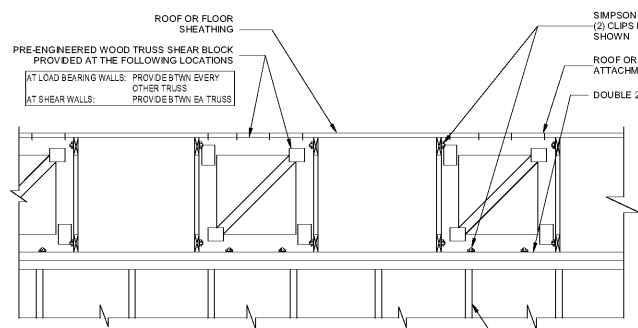
**bennett & pless**  
formerly KingGuinn Associates

Atlanta, Georgia • Boca Raton, Florida  
Charlotte, NC • Chicago, IL  
1864 - 2023 Celebrating 158  
Years of Structural Excellence  
1309 Anolis Drive  
Charlotte, North Carolina 28206  
Tel: 704.587.1340 Fax: 704.587.1380  
Copyright 2020 - Bennett & Pless, Inc.  
All Rights Reserved  
B & P Job Number: 2207.107

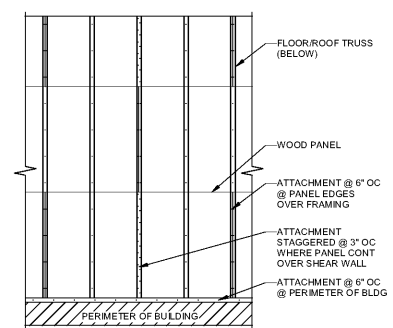


LENGTH OF WALL BETWEEN CORNERS	SPLICE LENGTH (MINIMUM)	NAILS ALONG SPLICE LENGTH
OVER 30'	4'-0"	(18) - 16d
OVER 20'	2'-0"	(18) - 16d
OVER 10'	1'-4"	(6) - 16d
LESS THAN 10'	1'-4"	(4) - 16d

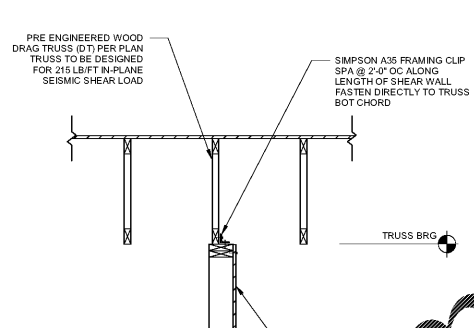
**DETAIL 1**  
SCALE: NO SCALE



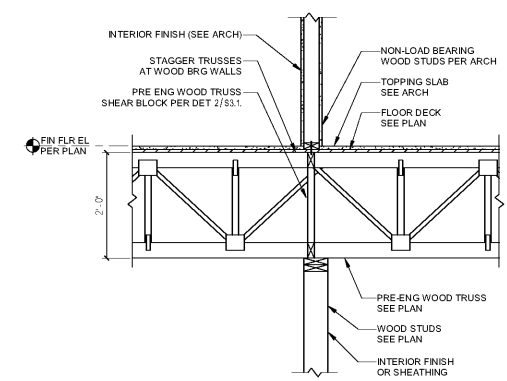
**DETAIL 2**  
SCALE: NO SCALE



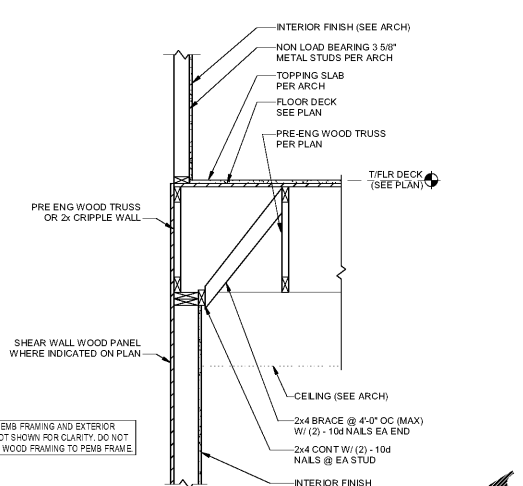
**DETAIL 3**  
SCALE: NO SCALE



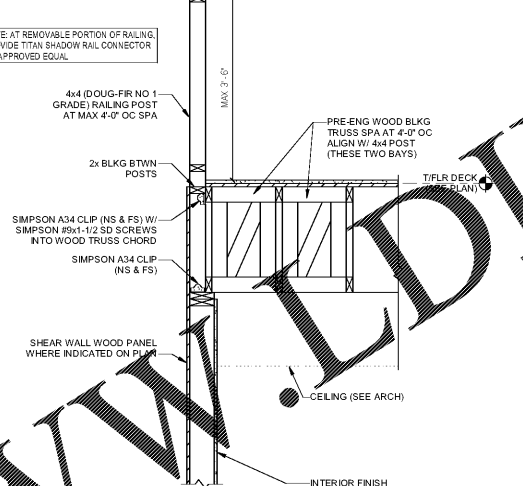
**DETAIL 4**  
SCALE: 3/4" = 1'-0"



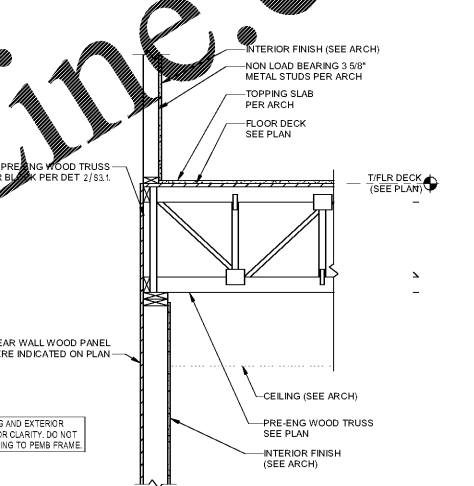
**DETAIL 5**  
SCALE: 3/4" = 1'-0"



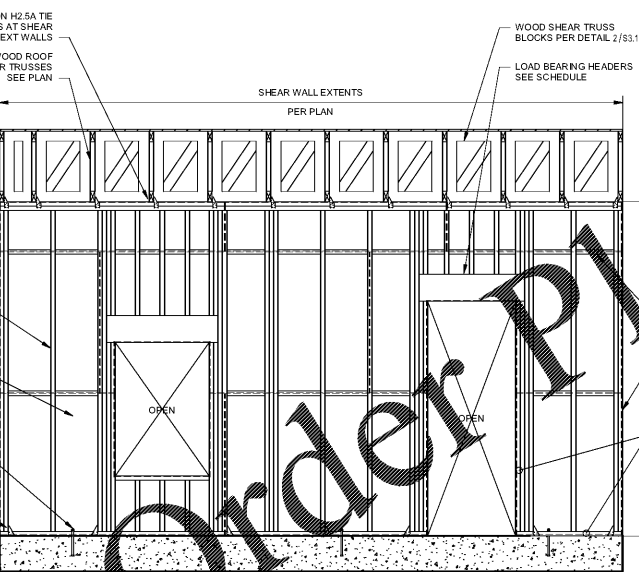
**SECTION 6**  
SCALE: 3/4" = 1'-0"



**SECTION 7**  
SCALE: 3/4" = 1'-0"



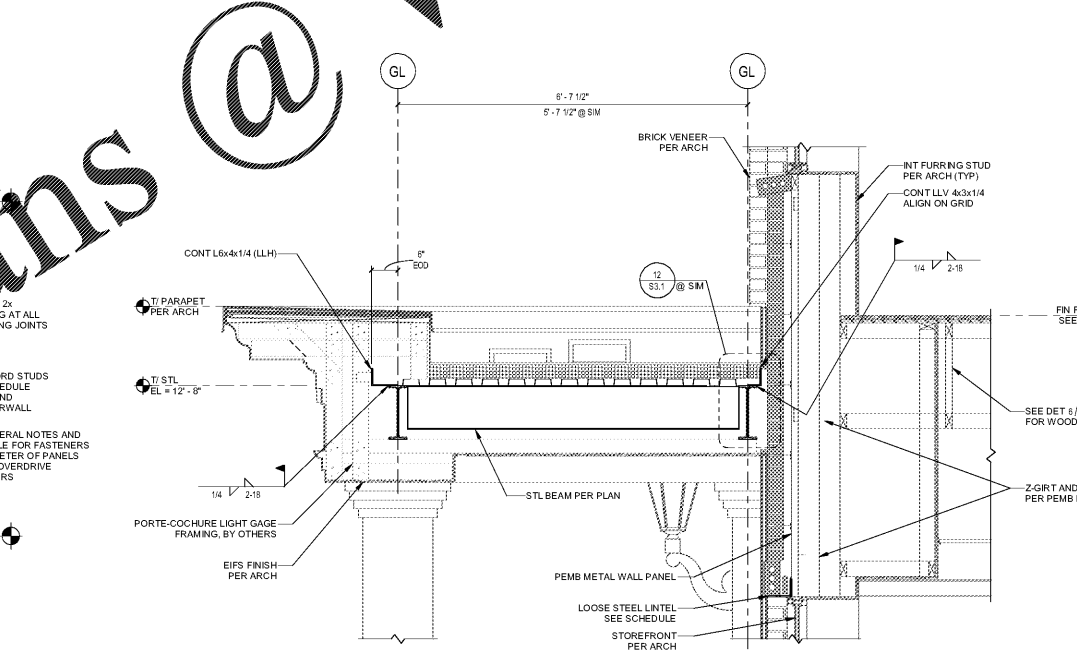
**SECTION 8**  
SCALE: 3/4" = 1'-0"



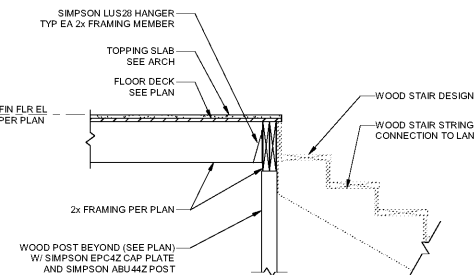
MARK	SHEATHING	FASTENING (SEE NOTE 2)	HOLDDOWN AT END OF SHEARWALL	END CHORD STUDS
SW	15/32" PERFORMANCE CATEGORY STRUCT 1, EXP 1 APA RATED	8d NAILS @ 6" OC	SIMPSON HDU2	(2)-2X6

1. CONFORM TO MATERIAL REQUIREMENTS IN GENERAL NOTES & PROJECT SPECIFICATIONS. WHERE GENERAL NOTES CONNECTION REQUIREMENTS VARY FROM THIS TABLE, THIS TABLE CONTROLS.  
2. DO NOT OVERRIDE SHEATHING FASTENERS AT SHEAR WALL LOCATIONS. IF NAILS ARE OVERRIDDEN BY MORE THAN 1/16", CONTRACTOR TO NOTIFY STRUCTURAL ENGINEER OF RECORD FOR CORRECTIVE ACTION.

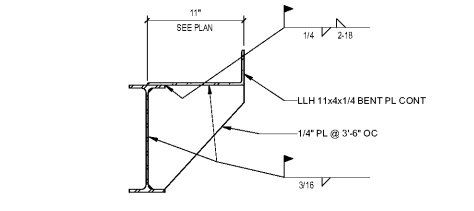
**DETAIL 9**  
SCALE: NO SCALE



**SECTION 10**  
SCALE: 3/4" = 1'-0"



**SECTION 11**  
SCALE: 3/4" = 1'-0"



**SECTION 12**  
SCALE: 1 1/2" = 1'-0"

**MIDSOUTH CARPENTER'S TRAINING TRUST**

LA VERGNE, TN

PROJECT NUMBER 18101  
**ISSUE DATE**

For Permit 09.30.20

**DRAWING DATA**  
DRAWN BY: CJD  
CHECKED BY:

**SHEET TITLE**  
**FRAMING DETAILS**

This drawing is the property of ROBERT JOHNSON ARCHITECTS, Inc. and is not to be reproduced or copied in whole or in part. It is only to be used for the project and is not to be used on any other project. It is to be returned upon request.

**SHEET NUMBER**  
**S3.1**