



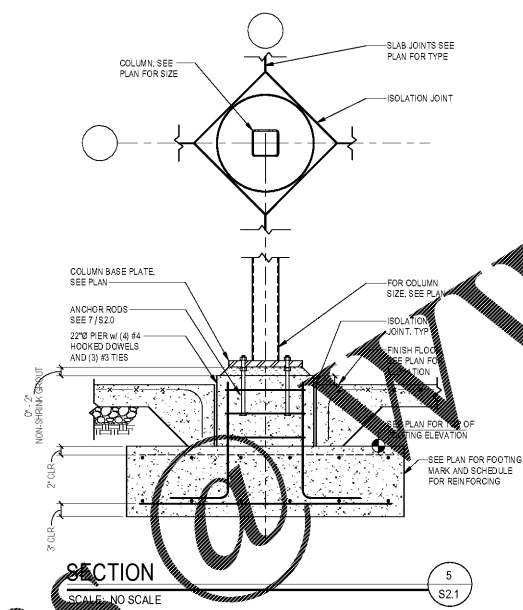
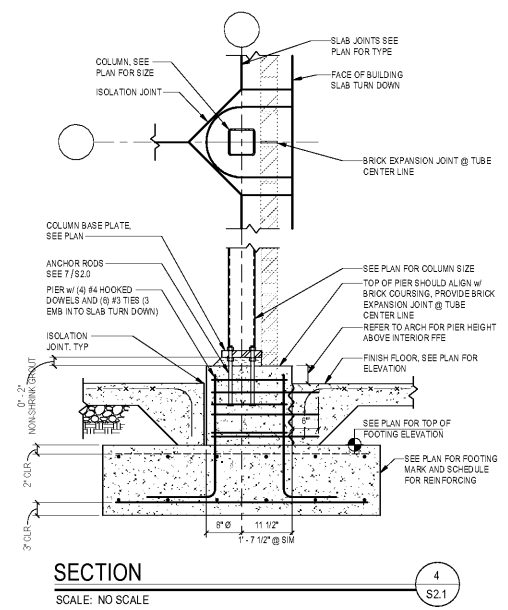
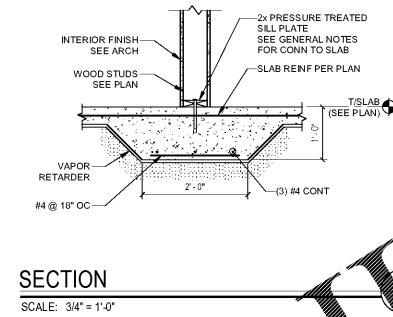
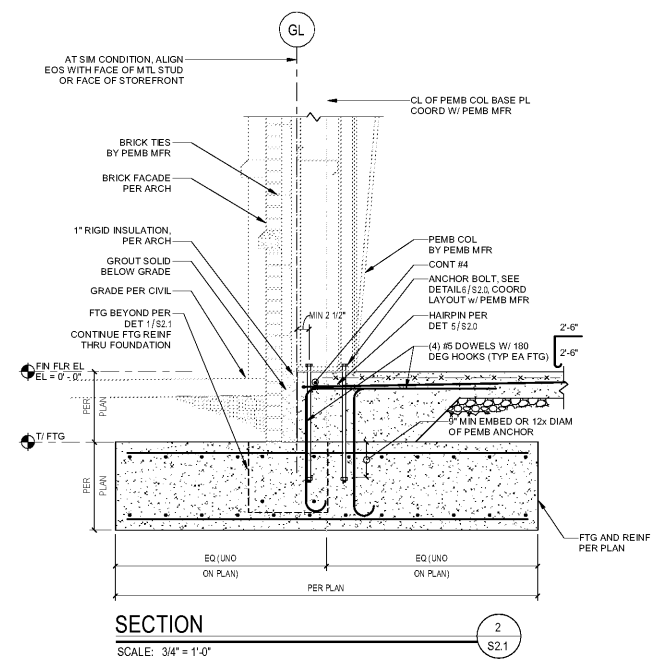
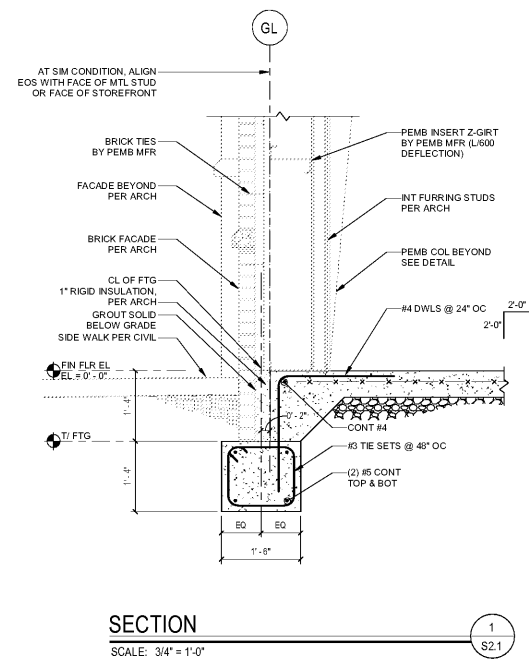
ROBERT JOHNSON
architects
1808 West Morehead St.
Charlotte, NC 28208
T 704 / 342.1058
F 704 / 342.3043

CONSULTANT

bennett & pless
formerly KingGunn Associates

Atlanta, Georgia • Boca Raton, Florida
Charlotte, North Carolina • Chattanooga, Tennessee
1964 - 2020 Celebrating 56
Years of Structural Excellence
1309 Amelia Drive
Chattanooga, North Carolina 28206
Tel: 704.587.1340 Fax: 704.587.1380
Copyright 2020 • Bennett & Pless, Inc.
All Rights Reserved
B & P Job Number: 2020.107

STAMPS



www.LDILine.com

Order Plans

**MIDSOUTH
CARPENTER'S
TRAINING
TRUST**

LA VERGNE, TN

PROJECT NUMBER 18101
ISSUE DATE
For Permit 09.30.20

DRAWING DATA
DRAWN BY: CJD
CHECKED BY:

SHEET TITLE

**FOUNDATION
DETAILS**

This drawing is the property of ROBERT JOHNSON ARCHITECTS, INC. and is not to be reproduced or copied in whole or in part. It is only to be used for the project and is specifically identified herein and is not to be used on any other project. It is to be returned upon request.

SHEET NUMBER

S2.1