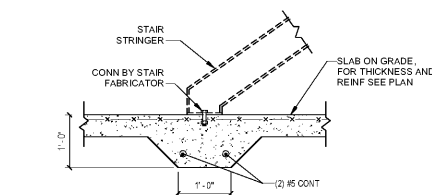
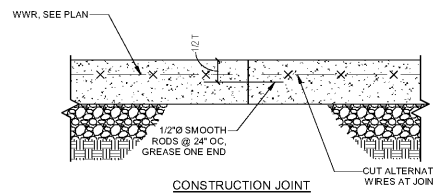
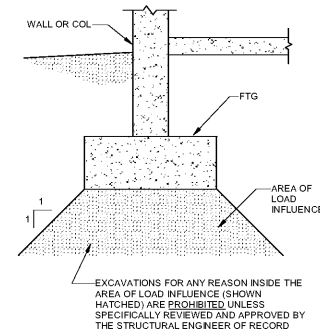


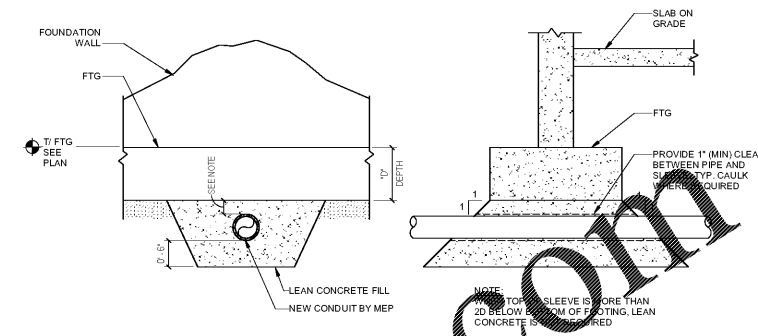
DETAIL
SCALE: 1 1/2" = 1'-0"
1 S2.0



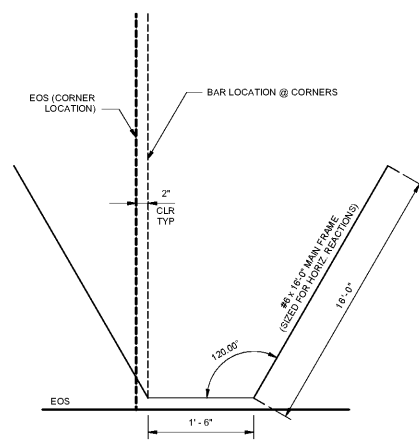
SECTION
SCALE: 3/4" = 1'-0"
2 S2.0



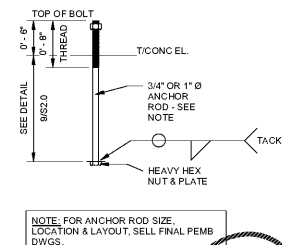
DETAIL
SCALE: 3/4" = 1'-0"
3 S2.0



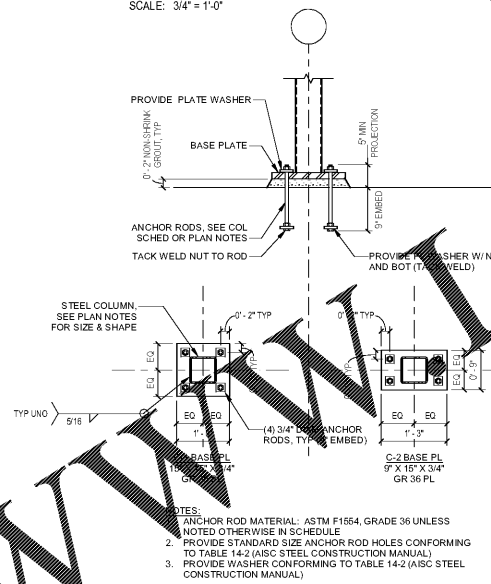
DETAIL
SCALE: 3/4" = 1'-0"
4 S2.0



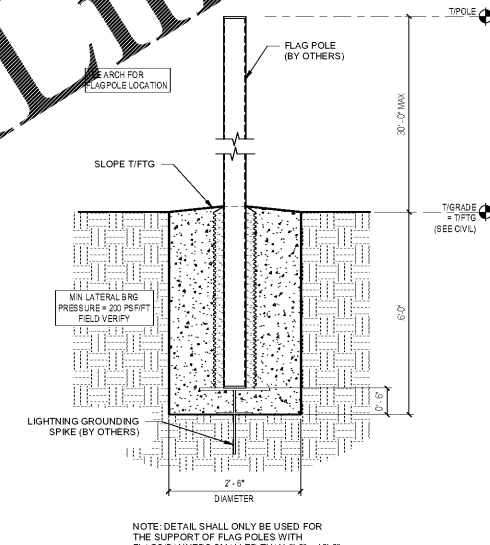
DETAIL
SCALE: 1" = 1'-0"
5 S2.0



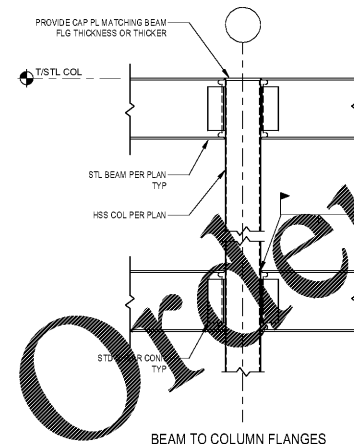
DETAIL
SCALE: 1" = 1'-0"
6 S2.0



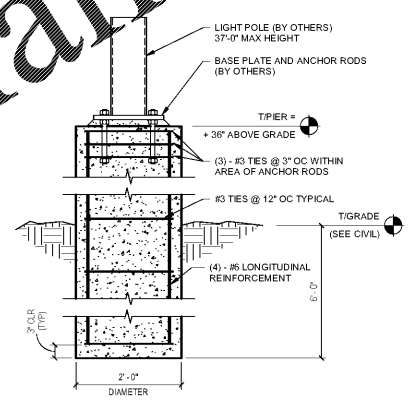
DETAIL
SCALE: 3/4" = 1'-0"
7 S2.0



DETAIL
SCALE: 3/4" = 1'-0"
8 S2.0



DETAIL
SCALE: NO SCALE
9 S2.0



DETAIL
SCALE: 3/4" = 1'-0"
10 S2.0

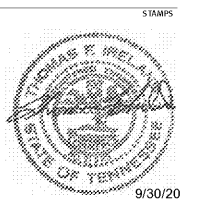
Order Plans @ WWW.LDILine.com



ROBERT JOHNSON
architects
1808 West Morehead St.
Charlotte, NC 28208
T 704 / 342.1058
F 704 / 342.3043

CONSULTANT

bennett & pless
formerly KingGunn Associates
Atlanta, Georgia • Boca Raton, Florida
Charlotte, North Carolina • Chattanooga, Tennessee
1964 - 2020 Celebrating 56
Years of Structural Excellence
1309 Annula Drive
Charlotte, North Carolina 28206
Tel: 704.587.1340 Fax: 704.587.1380
Copyright 2020 • Bennett & Pless, Inc.
All Rights Reserved
B & P Job Number: 2020.107



MIDSOUTH
CARPENTER'S
TRAINING
TRUST

LA VERGNE, TN

PROJECT NUMBER 18101
ISSUE DATE

For Permit 09.30.20

DRAWING DATA
DRAWN BY: CJD
CHECKED BY:

SHEET TITLE
TYPICAL
SECTIONS
& DETAILS

This drawing is the property of ROBERT JOHNSON ARCHITECTS, INC. and is not to be reproduced or copied in whole or in part. It is only to be used for the project and is not to be used on any other project. It is to be returned upon request.

SHEET NUMBER
S2.0