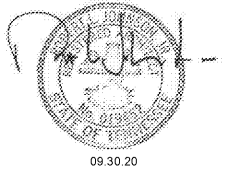




ROBERT JOHNSON
architects
1808 West Morehead St.
Charlotte, NC 28208
T 704 / 342.1058
F 704 / 342.3043

STAMPS



09.30.20

CONSULTANT

MIDSOUTH
CARPENTER'S
TRAINING
TRUST

LA VERGNE, TN

PROJECT NUMBER 1982
ISSUE DATE
FOR PERMIT 09.30.20

DRAWING DATA
DRAWN BY: BM/LM
CHECKED BY: TH

SHEET TITLE

INTERIOR
ELEVATIONS

This drawing is the property of ROBERT JOHNSON ARCHITECTS, INC. and is not to be reproduced or copied in whole or in part. It is only to be used for the project and site specifically identified herein and is not to be used on any other project. It is to be returned upon request.

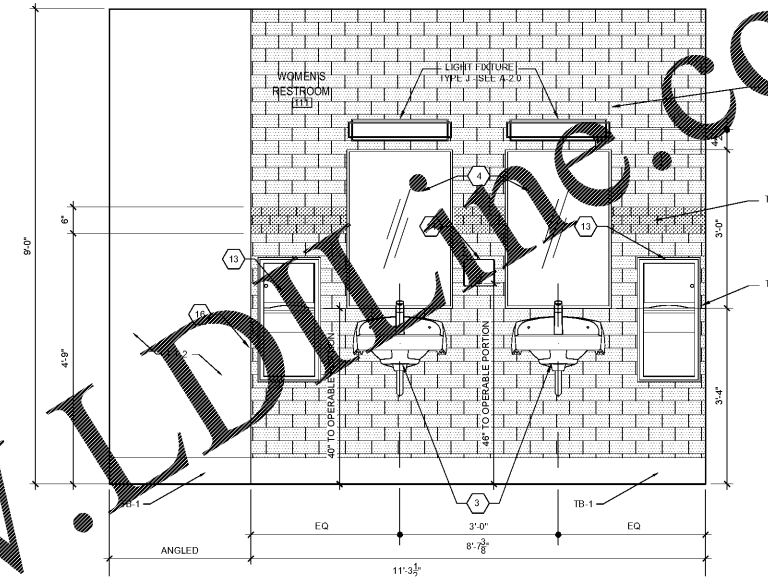
SHEET NUMBER

A8.3

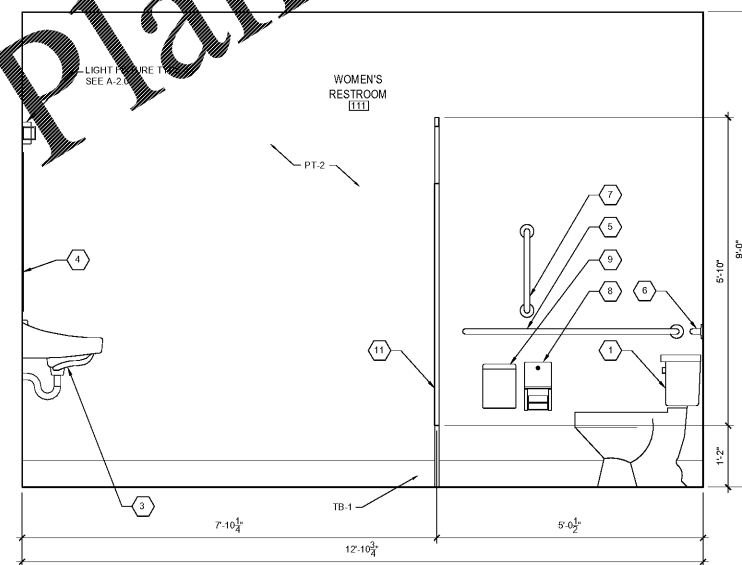
TOILET ACCESSORIES SCHEDULE		
MARK	ITEM DESCRIPTION	MANUF. / MODEL
1	WATER CLOSET	SEE PLUMBING
2	URINAL	SEE PLUMBING
3	LAVATORY	SEE PLUMBING
4	MIRROR	BOBRICK B-165 2436 - 24"W
5	42" GRAB BAR	BOBRICK B-6806 X 42
6	36" GRAB BAR	BOBRICK B-6806 X 36
7	18" GRAB BAR	BOBRICK B-6806 X 18
8	TOILET PAPER DISPENSER	BOBRICK B-2688
9	SANITARY NAPKIN DISPOSAL	BOBRICK MODEL B-270
10	HILLO DRINKING FOUNTAIN	SEE PLUMBING
11	HINY-HIDER - RESTROOM PARTITIONS	BLACK W/ STAINLESS STEEL STRIPS & SHOES
12	MOP SINK	SEE PLUMBING
13	SURFACE MOUNTED PAPER TOWEL DISPENSER AND WASTE RECEPTACLE	BOBRICK MODEL B-369
14	WALL MOUNTED SOAP DISPENSER	BOBRICK B-3699
15	EYE WASH STATION	SEE PLUMBING
16	CS ACROVYN CORNER GUARD	SM-20N GALVESTON GRAY 4315

GENERAL NOTES

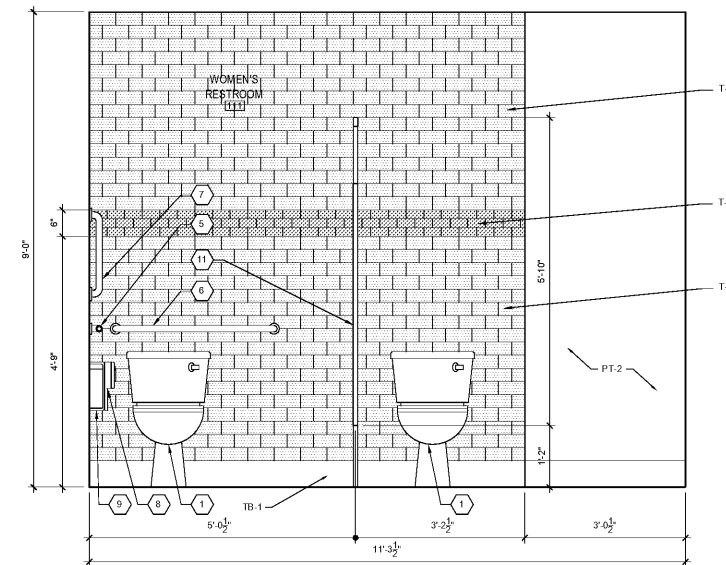
1. PROVIDE BLOCKING FOR ALL WALL MOUNTED FIXTURES AND ACCESSORIES
2. SEE 6.3.0 FOR ALL MOUNTING HEIGHTS
3. BOBRICK PRODUCTS SHALL BE CONSIDERED THE BASIS OF DESIGN. GC SHALL SUBMIT EQUAL MANUFACTURERS / PRODUCTS FOR OWNER & ARCHITECT APPROVAL
4. TOILET PARTITIONS SHALL BE HDPE PARTITIONS. BASIS OF DESIGN IS HINY-HIDERS BY SCRANTON PRODUCTS. PARTITIONS SHALL BE FLOOR MOUNTED OVERHEAD BRACED. COLOR SHALL BE BLACK WITH STAINLESS STEEL BRACKETS.



1 WOMEN'S RESTROOM ELEVATION
SCALE: 3/4" = 1'-0"



2 WOMEN'S RESTROOM ELEVATION
SCALE: 3/4" = 1'-0"



3 WOMEN'S RESTROOM ELEVATION
SCALE: 3/4" = 1'-0"

Order Plans @ WWW.LDLINE.COM