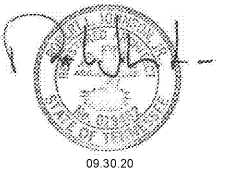




ROBERT JOHNSON  
architects  
1808 West Morehead St.  
Charlotte, NC 28208  
T 704 / 342.1058  
F 704 / 342.3043



09.30.20

CONSULTANT

MIDSOUTH  
CARPENTER'S  
TRAINING  
TRUST  
LA VERGNE, TN

PROJECT NUMBER 1982  
ISSUE DATE  
FOR PERMIT 09.30.20

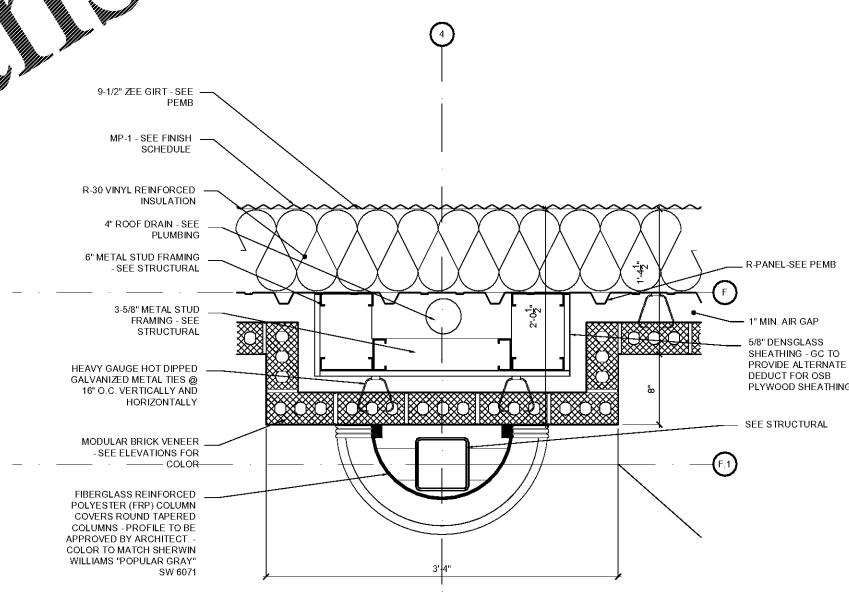
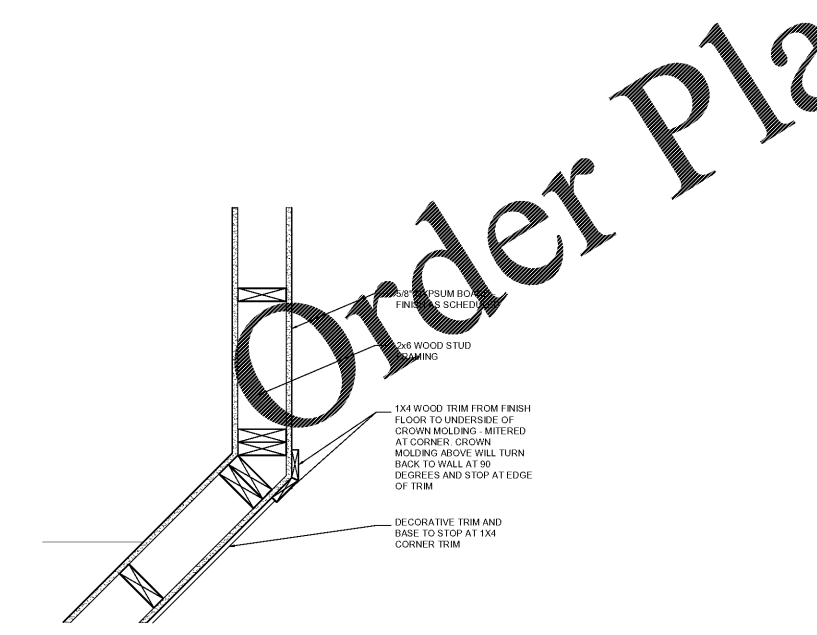
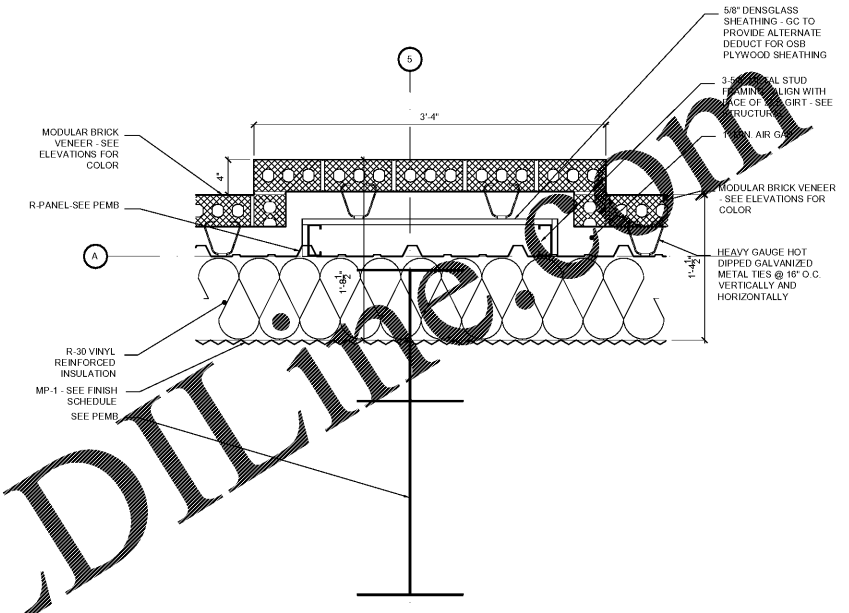
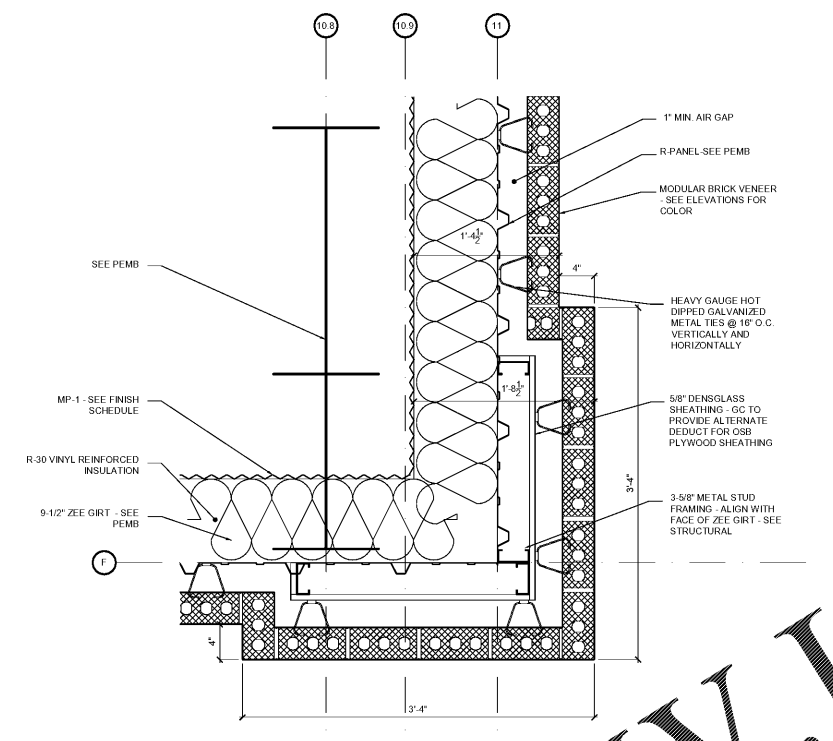
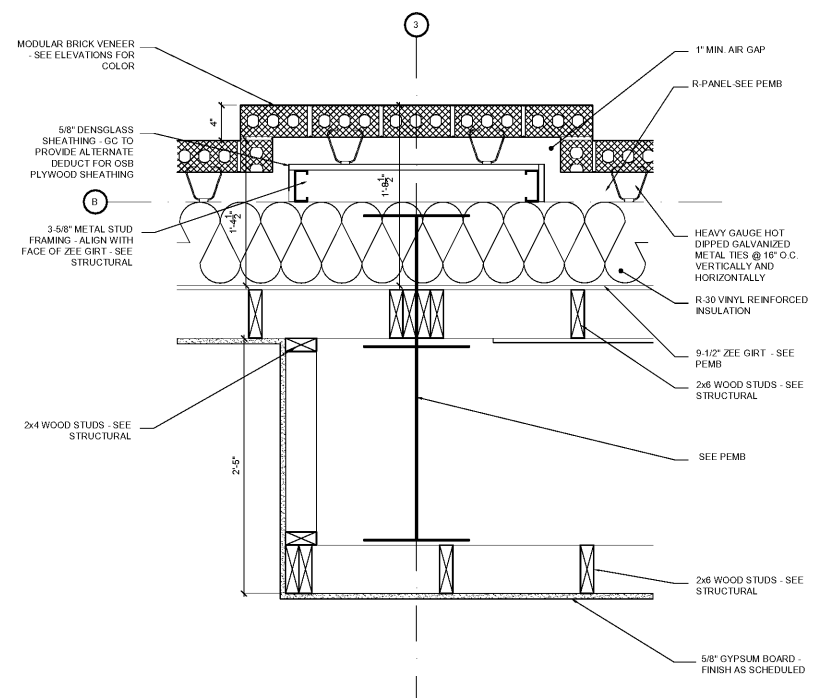
DRAWING DATA  
DRAWN BY: BM/LM  
CHECKED BY: TH

SHEET TITLE  
PLAN DETAILS

This drawing is the property of ROBERT JOHNSON ARCHITECTS, Inc. and is not to be reproduced or copied in whole or in part. It is only to be used for the project and site specifically identified herein and is not to be used on any other project. It is to be returned upon request.

SHEET NUMBER

A-1.12



Order Plans @ WWW.LDILINE.COM