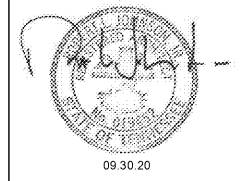




ROBERT JOHNSON  
architects  
1808 West Morehead St.  
Charlotte, NC 28208  
T 704 / 342.1058  
F 704 / 342.3043

STAMPS



09.30.20

CONSULTANT

MIDSOUTH  
CARPENTER'S  
TRAINING  
TRUST  
LA VERGNE, TN

PROJECT NUMBER 1982  
ISSUE DATE  
FOR PERMIT 09.30.20

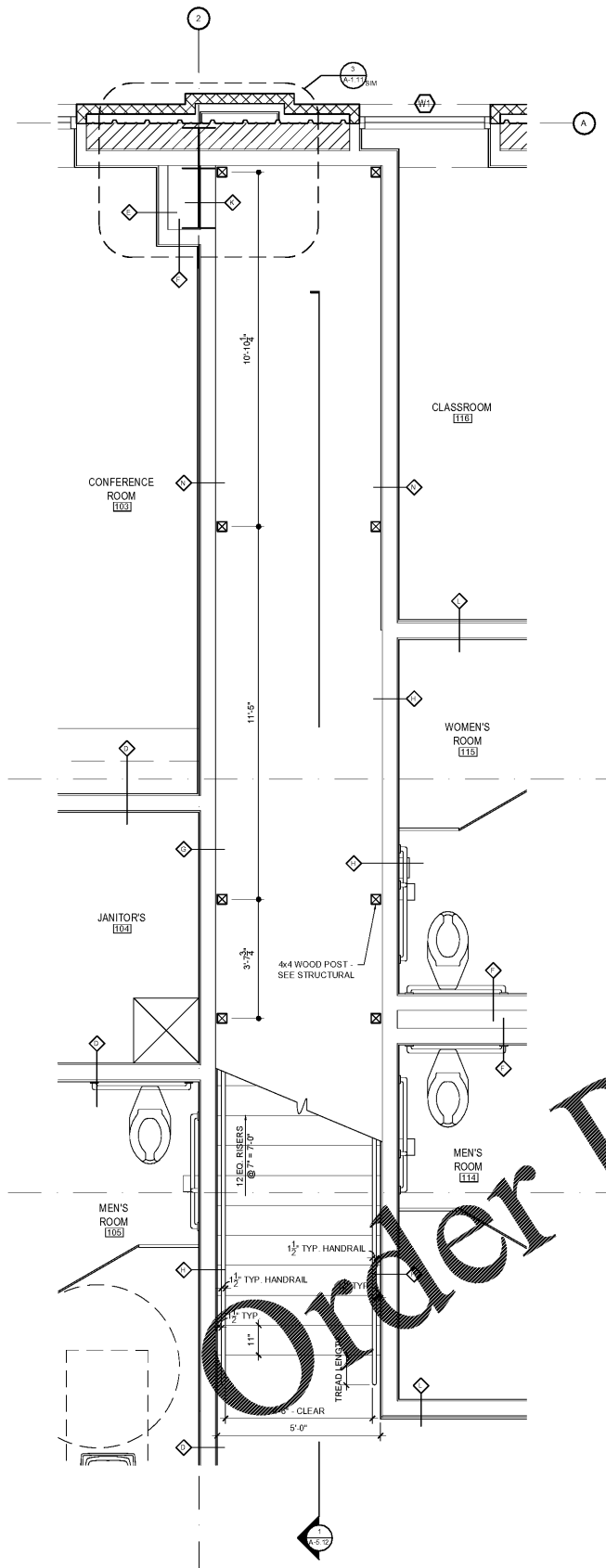
DRAWING DATA  
DRAWN BY: BM/LM  
CHECKED BY: TH

SHEET TITLE  
ENLARGED  
MILLWORK &  
STAIR 2 PLANS

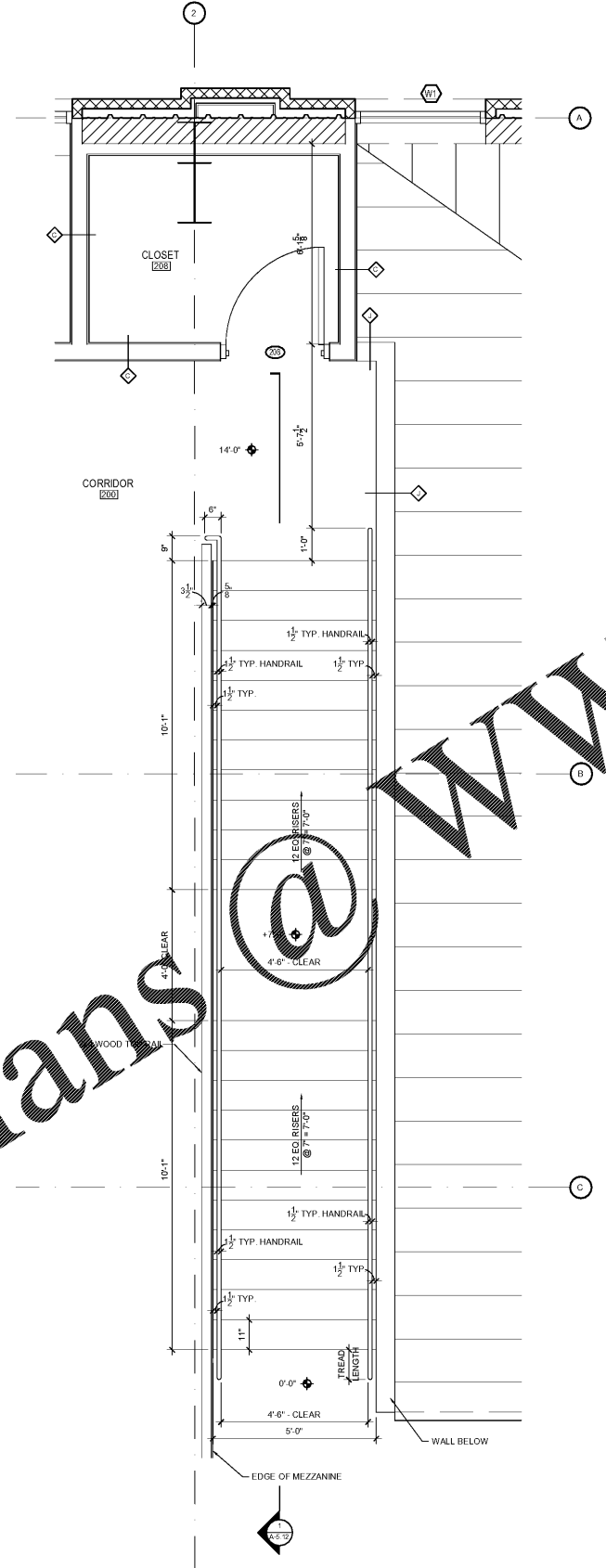
This drawing is the property of ROBERT JOHNSON ARCHITECTS, Inc. and is not to be reproduced or copied in whole or in part. It is only to be used for the project and any specifications identified herein and is not to be used on any other project. It is to be returned upon request.

SHEET NUMBER

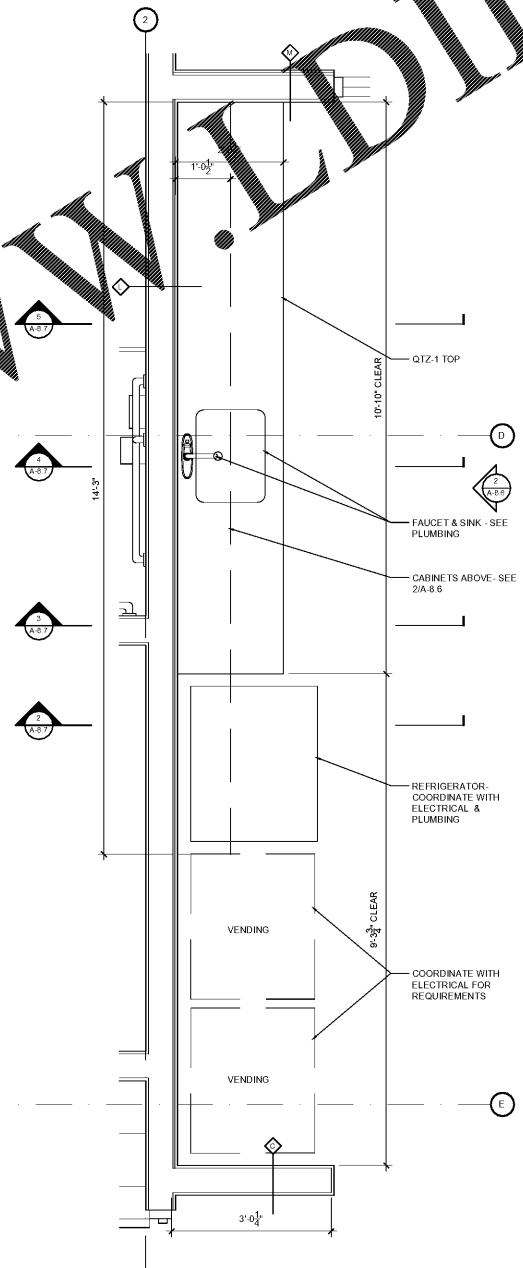
A-1.8



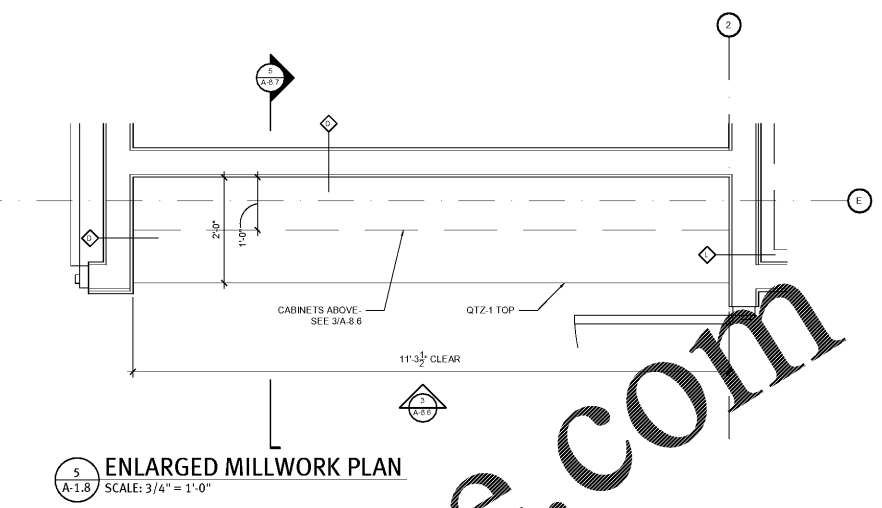
1  
A-1.8  
ENLARGED GROUND FLOOR STAIR 2 PLAN  
SCALE: 1/2" = 1'-0"



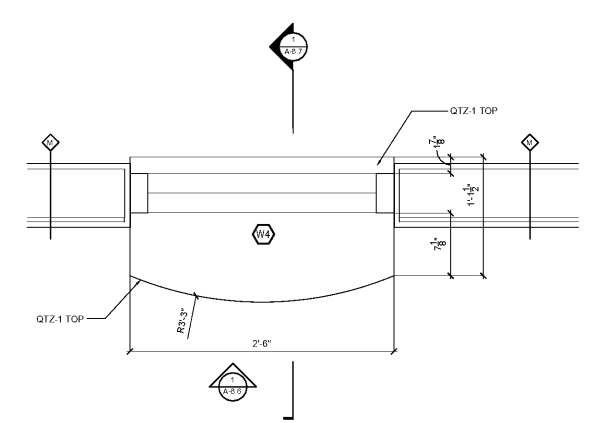
2  
A-1.8  
ENLARGED MEZZANINE STAIR 2 PLAN  
SCALE: 1/2" = 1'-0"



3  
A-1.8  
ENLARGED MILLWORK PLAN  
SCALE: 3/4" = 1'-0"



5  
A-1.8  
ENLARGED MILLWORK PLAN  
SCALE: 3/4" = 1'-0"



4  
A-1.8  
ENLARGED MILLWORK PLAN  
SCALE: 1 1/2" = 1'-0"

WWW.LDILine.com