

OWNER / DEVELOPER:



300 Chastain Center Blvd, Ste 325  
Kennesaw, Georgia 30144  
TEL: (770) 627-3550 FAX: (404) 627-3594

V&M Contact:  
Paul K. Hammon P.E. (770) 639-7797  
KENTUCKY NORTH CAROLINA  
606-248-6600 828-253-2796  
TENNESSEE SOUTH CAROLINA  
865-546-5800 864-574-4775  
www.vaughnmelton.com  
Copyright © 2013  
All Rights Reserved

**JONESBORO ROAD**  
LAND LOT 126  
SECTION 7  
CITY OF McDONOUGH  
HENRY COUNTY GA.



Project Name: JONESBORO ROAD PARK  
Project Number: 071920-33  
Drawn By: PTJ Ck'd By: PTJ  
Date: 06/17/20 Scale: As shown

Rev.	Description:	Date:
1	SUBMIT FOR REVIEW	04/24/2020
2	REVISED: ADDED ROAD AND BEARING REPLACED MANHOLES WITH JUNCTION BOX CHANGED RADIUS AND REMOVED SW	05/06/2020
3	REVISED: ADDED QUICK CURB WITH DELINEATORS TO JONESBORO RD	05/13/2020
4	REVISED: ADDED DELINEATORS TO QUICK CURB REPLACED EXISTING 18" x 18" AND 30" DIA. MANH. REMOVE EXISTING PIPE IN ROADWAY	05/19/2020
5	REVISED: MODIFIED P/B SIDEWALK PATH; REMOVE PARKING SPACES; ADD EXISTING GAS LINES; CHANGED CORNER PATCHING ON MICAH DR	06/17/2020

**GRADING &  
DRAINAGE  
PLAN**

**C-09**

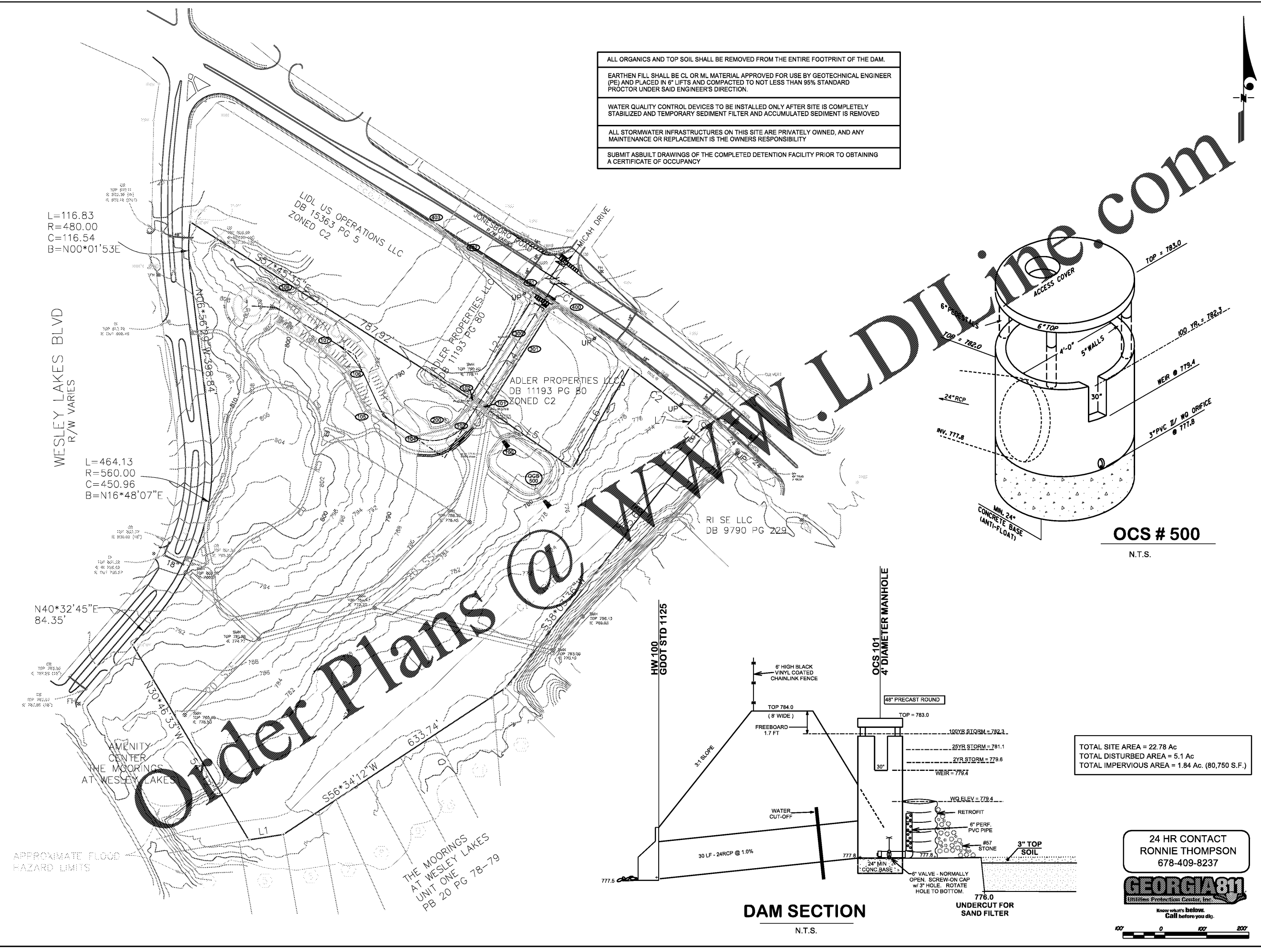
ALL ORGANICS AND TOP SOIL SHALL BE REMOVED FROM THE ENTIRE FOOTPRINT OF THE DAM.

EARTHEN FILL SHALL BE CL OR ML MATERIAL APPROVED FOR USE BY GEOTECHNICAL ENGINEER (PE) AND PLACED IN 8" LIFTS AND COMPACTED TO NOT LESS THAN 95% STANDARD PROCTOR UNDER SAID ENGINEER'S DIRECTION.

WATER QUALITY CONTROL DEVICES TO BE INSTALLED ONLY AFTER SITE IS COMPLETELY STABILIZED AND TEMPORARY SEDIMENT FILTER AND ACCUMULATED SEDIMENT IS REMOVED

ALL STORMWATER INFRASTRUCTURES ON THIS SITE ARE PRIVATELY OWNED, AND ANY MAINTENANCE OR REPLACEMENT IS THE OWNERS RESPONSIBILITY

SUBMIT ASBUILT DRAWINGS OF THE COMPLETED DETENTION FACILITY PRIOR TO OBTAINING A CERTIFICATE OF OCCUPANCY



L=116.83  
R=480.00  
C=116.54  
B=N00\*01'53E

WESLEY LAKES BLVD  
R/W VARIES

L=464.13  
R=560.00  
C=450.96  
B=N16\*48'07"E

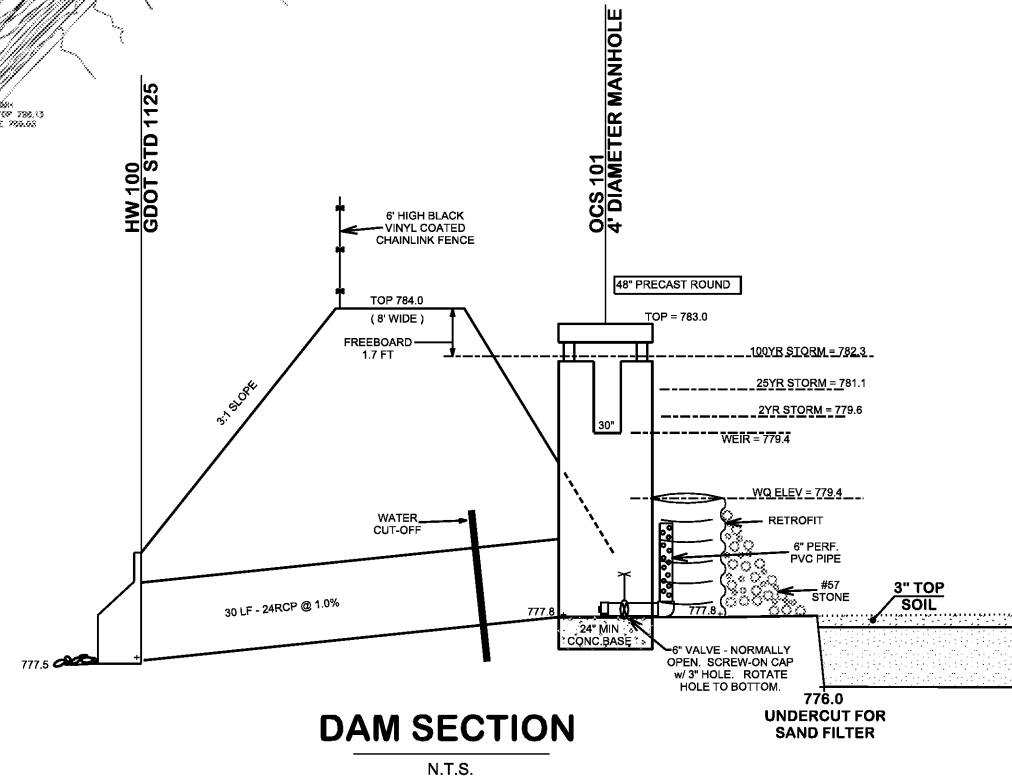
N40\*32'45"E  
84.35'

N30\*26'33"W  
N40\*32'45"E  
84.35'

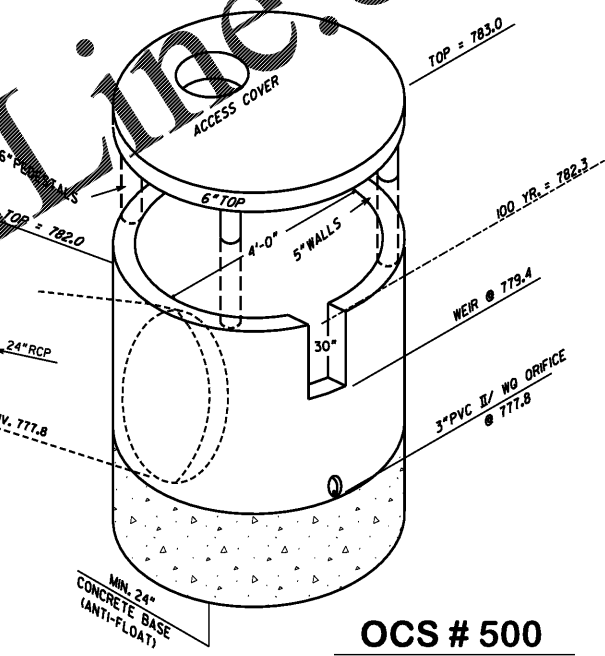
APPROXIMATE FLOOD  
HAZARD LIMITS

**Order Plans @ WWWW.LDIDline.com**

THE MOORINGS  
AT WESLEY LAKES  
UNIT ONE  
PB 20 PG 78-79



**DAM SECTION**  
N.T.S.



**OCS # 500**  
N.T.S.

TOTAL SITE AREA = 22.78 Ac  
TOTAL DISTURBED AREA = 5.1 Ac  
TOTAL IMPERVIOUS AREA = 1.84 Ac. (80,750 S.F.)

24 HR CONTACT  
RONNIE THOMPSON  
678-409-8237

**GEORGIA811**  
Utilities Protection Center, Inc.  
Know what's below.  
Call before you dig.

