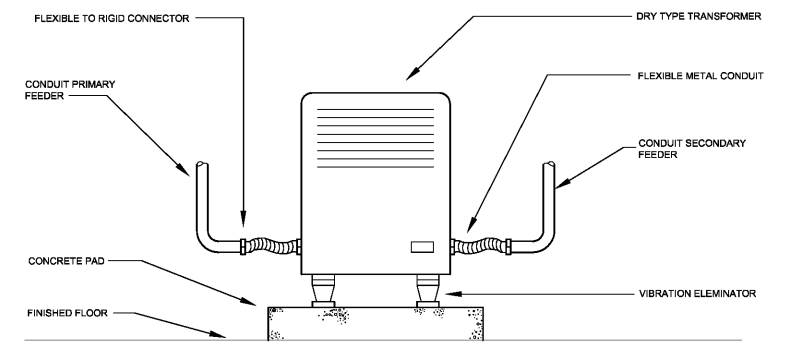
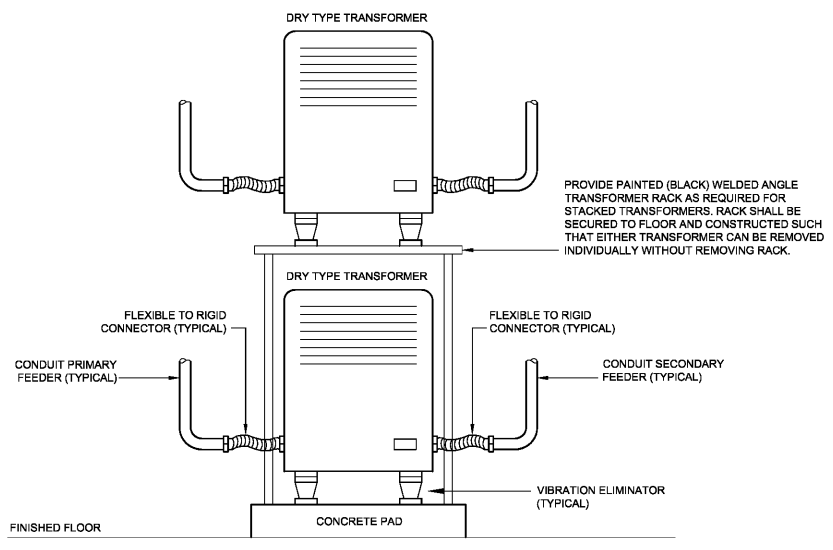


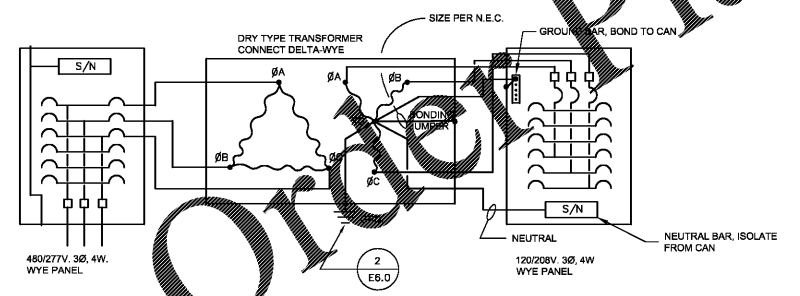
This document is property of 2KM Architects, Inc. The unauthorized reproduction, copying, or otherwise use of this document is strictly prohibited and any infringement thereupon may be subject to legal action. Copyright © 2020, 2KM Architects, Inc.



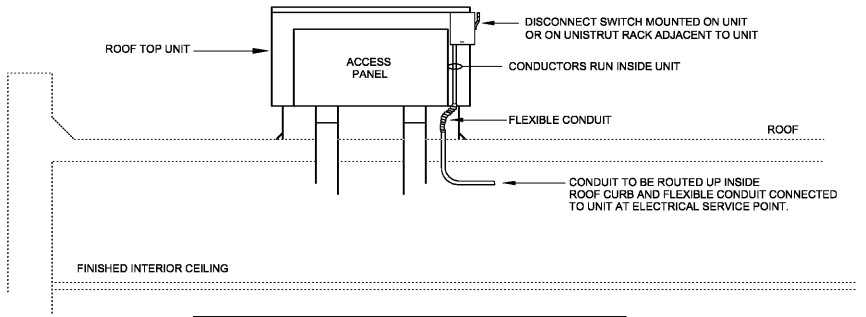
1 DETAIL - FLOOR MOUNTED TRANSFORMER
 E7.1 SCALE: NONE



2 DETAIL - FLOOR MOUNTED TRANSFORMER
 E7.1 SCALE: NONE

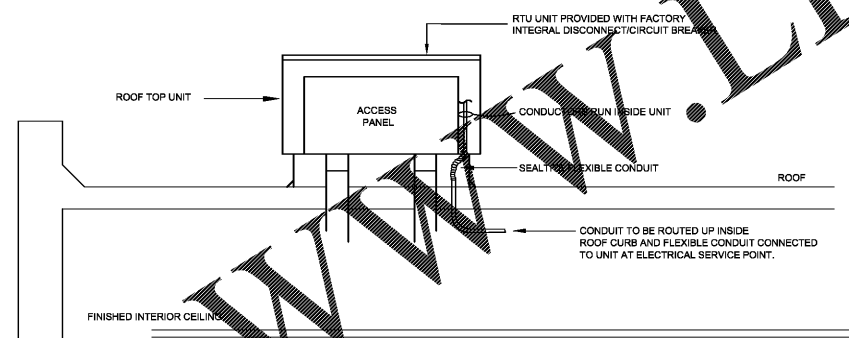


3 DETAIL - DRY TYPE TRANSFORMER CONNECTION
 E7.1 SCALE: NONE



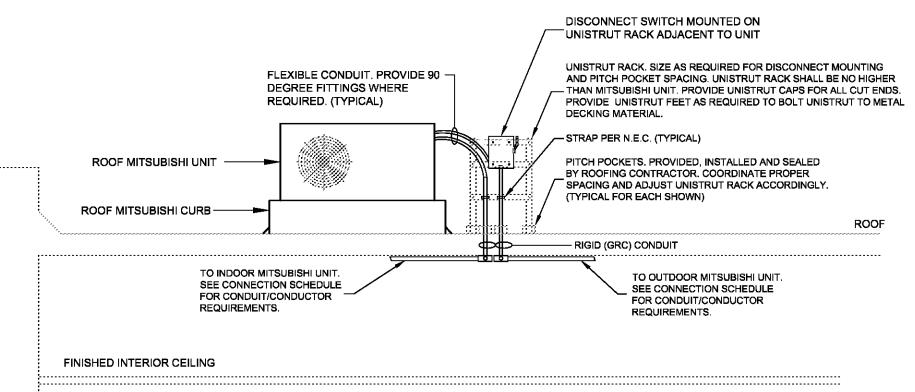
NOTE: ELECTRICAL CONTRACTOR SHALL COORDINATE PRIOR TO ROUGH-IN OF MECHANICAL UNIT THE EXACT ELECTRICAL SERVICE CONNECTION POINT WITH MECHANICAL CONTRACTOR AND EQUIPMENT ROUGH-IN SHOP DRAWINGS.

4 DETAIL - ROOF TOP UNIT WITH DIVISION 26 SUPPLIED DISCONNECT
 E7.1 SCALE: NONE



NOTE: ELECTRICAL CONTRACTOR SHALL COORDINATE PRIOR TO ROUGH-IN OF MECHANICAL UNIT THE EXACT ELECTRICAL SERVICE CONNECTION POINT WITH MECHANICAL CONTRACTOR AND EQUIPMENT ROUGH-IN SHOP DRAWINGS.

5 DETAIL - ROOF TOP UNIT WITH FACTORY SUPPLIED DISCONNECT
 E7.1 SCALE: NONE



NOTE: ELECTRICAL CONTRACTOR SHALL COORDINATE PRIOR TO ROUGH-IN OF MECHANICAL UNIT THE EXACT ELECTRICAL SERVICE CONNECTION POINT WITH MECHANICAL CONTRACTOR AND EQUIPMENT ROUGH-IN SHOP DRAWINGS.

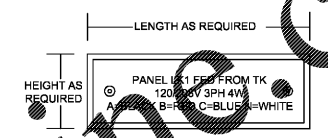
6 DETAIL - MITSUBISHI ROOF TOP UNIT DISCONNECT MOUNTING
 E7.1 SCALE: TYPICAL FOR ALL MITSUBISHI ROOF TOP UNITS

NOTE: DESIGNATIONS ARE FOR REFERENCE ONLY. LABELING SHALL BE OF EQUIPMENT BEING SERVED.

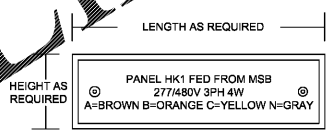
NORMAL POWER LABEL SHALL BE: BLACK PHENOLIC PLATE WITH ENGRAVED WHITE LETTERING, POP RIVETED TO EQUIPMENT

EMERGENCY POWER LABEL SHALL BE: RED PHENOLIC PLATE WITH ENGRAVED WHITE LETTERING, POP RIVETED TO EQUIPMENT

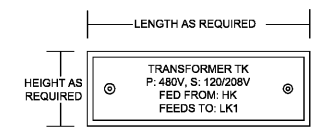
FOR 120/208V PANELS:



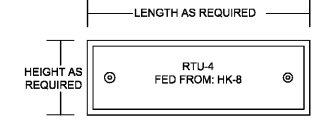
FOR 277/480V PANELS:



FOR TRANSFORMERS:



FOR DISCONNECTS:



7 DETAIL - EQUIPMENT IDENTIFICATION TAG
 E7.1 SCALE: NOT TO SCALE

KEY PLAN:

REVISIONS:	
Date	Description

**CCSD
 I.T./TRAINING
 DEPARTMENT**

FOR
 COLUMBIA COUNTY SCHOOL DISTRICT

4395 RIVERWATCH PARKWAY
 EVANS, GA 30809

DRAWING TITLE	
DETAILS	
PROJECT NO. 20-04C	DRAWING NO.
DATE 10/26/2020	E7.1
DRAWN BY JH	
PAPER 24"x36"	
ISSUE CD	