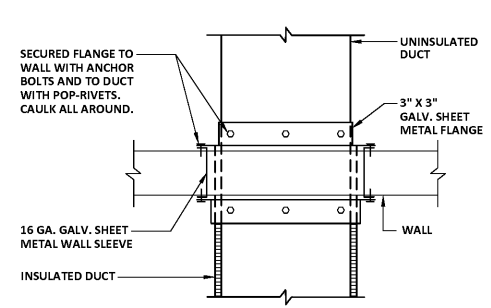
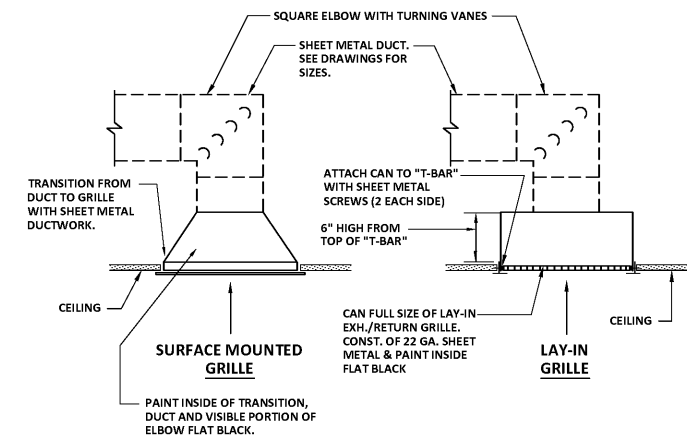


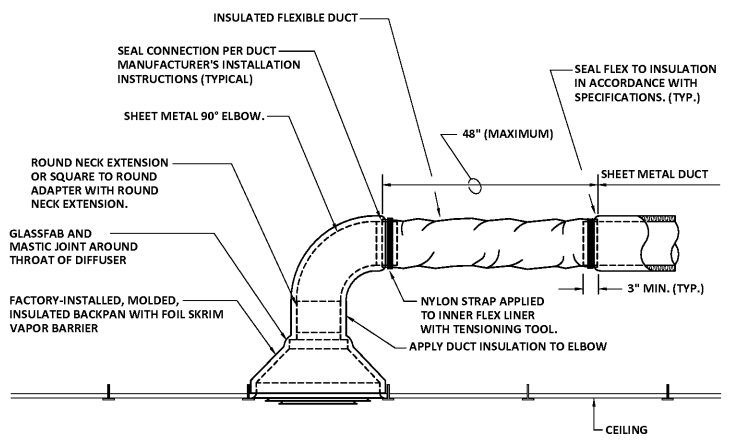
This document is the property of 2KM Architects, Inc. The unauthorized reproduction, copying, or otherwise use of this document is strictly prohibited and any infringement thereupon may be subject to legal action. Copyright © 2020, 2KM Architects, Inc.



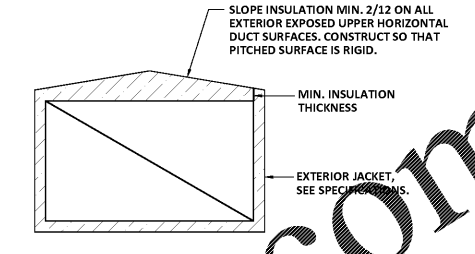
**1 DUCT SLEEVE DETAIL**  
M3.1 NOT TO SCALE



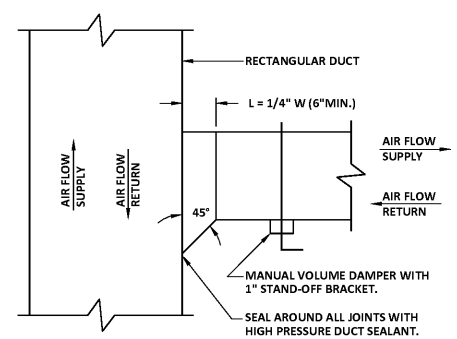
**2 EXHAUST/RETURN GRILLE CONNECTION DETAILS**  
M3.1 NOT TO SCALE



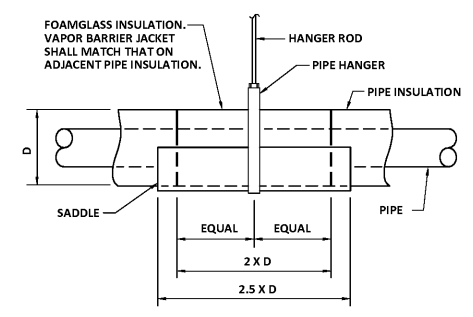
**3 FLEXIBLE ROUND DUCT CONNECTION DETAIL**  
M3.1 NOT TO SCALE



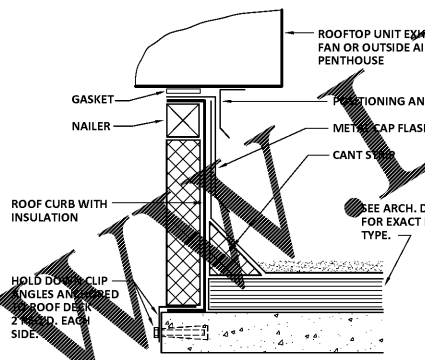
**4 EXTERIOR DUCT INSULATION DETAIL**  
M3.1 NOT TO SCALE



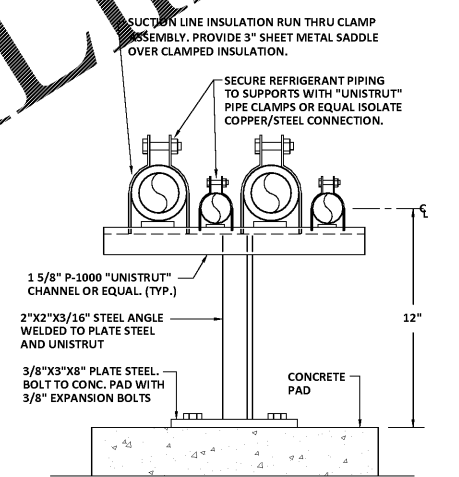
**5 RECTANGULAR SUPPLY AND RETURN DUCT TAKE-OFF DETAIL**  
M3.1 NOT TO SCALE



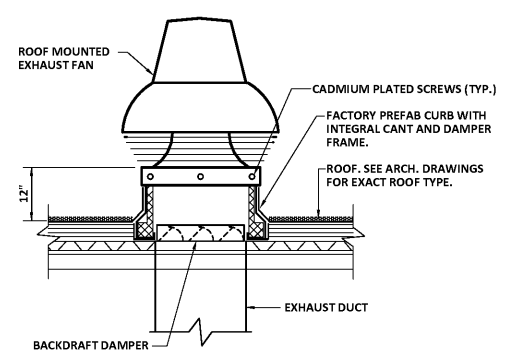
**6 PIPE HANGER SADDLE DETAIL**  
M3.1 NOT TO SCALE



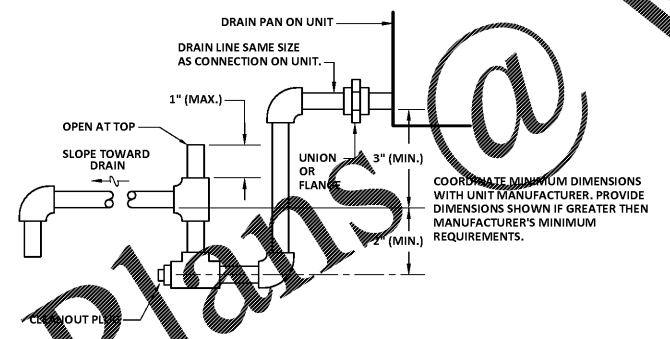
**7 ROOF CURB DETAIL**  
M3.1 NOT TO SCALE



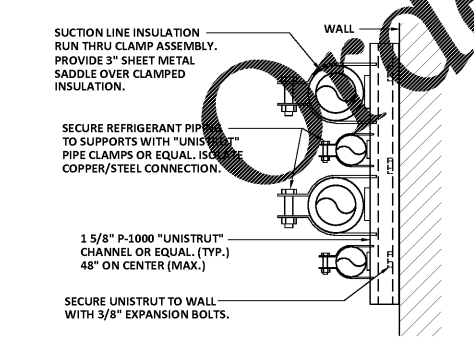
**8 EXTERIOR PIPING SUPPORT DETAIL**  
M3.1 NOT TO SCALE



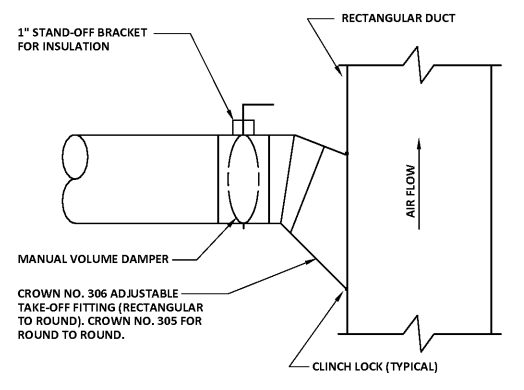
**10 ROOF MOUNTED EXHAUST FAN DETAIL**  
M3.1 NOT TO SCALE



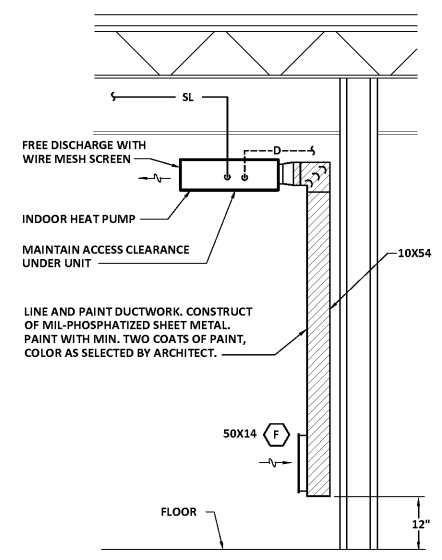
**11 CONDENSATE DRAIN TRAP DETAIL**  
M3.1 NOT TO SCALE



**12 EXT. PIPING WALL SUPPORT DETAIL**  
M3.1 NOT TO SCALE



**13 SUPPLY DUCT TAKE-OFF FITTING DETAIL**  
M3.1 NOT TO SCALE



**14 SECTION @ IT-IHP-3 THRU IT-IHP-7**  
M3.1 NOT TO SCALE

**PFA**  
ENGINEERING  
PRUETT, FORD & ASSOCIATES, INC.  
GA LIC. PEF00780 EXP. 06/30/2022  
139 BROAD STREET, SUITE 2A  
AUGUSTA, GEORGIA 30901  
WWW.PRUETTFORD.COM

**KEY PLAN:**

Date	Description

**CCSD  
I.T./TRAINING  
DEPARTMENT**

FOR  
COLUMBIA COUNTY SCHOOL DISTRICT

4395 RIVERWATCH PARKWAY  
EVANS, GA 30809

**DRAWING TITLE**

**HVAC DETAILS**

PROJECT NO.	20-04C	DRAWING NO.	
DATE	10/26/2020		
DRAWN BY	DJM		
PAPER	24"x36"	<b>M3.1</b>	
ISSUE	CD		

1" = 12"  
1/4" = 3"  
1/2" = 6"  
3/4" = 9"

REFERENCE SCALE

PLOT DATE: 10/26/20  
FILENAME: 19099M2 IT  
PLOT SCALE: 1 = 96  
DJM

W:\CURBERT\_JOBACKES\19099\_CCSO\_SUPPORT\_COMPLEX\19099C.IT\19099M2.IT.DWG  
 PRINTED: 10/27/2020 1:34:28 PM