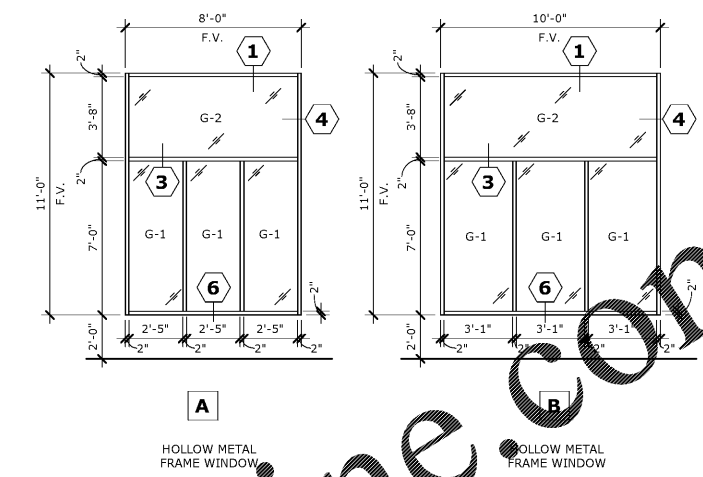
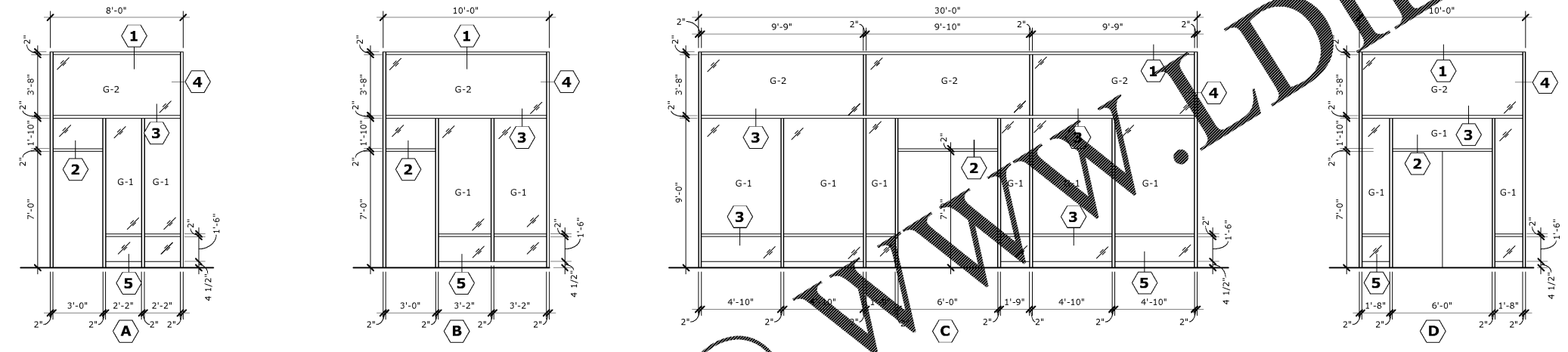


This document is the property of 2KM Architects, Inc. The unauthorized reproduction, copying, or otherwise use of this document is strictly prohibited and any infringement thereon may be subject to legal action.
 Copyright © 2020, 2KM Architects, Inc.

WINDOW TYPES SCALE: 1/4" = 1'-0"



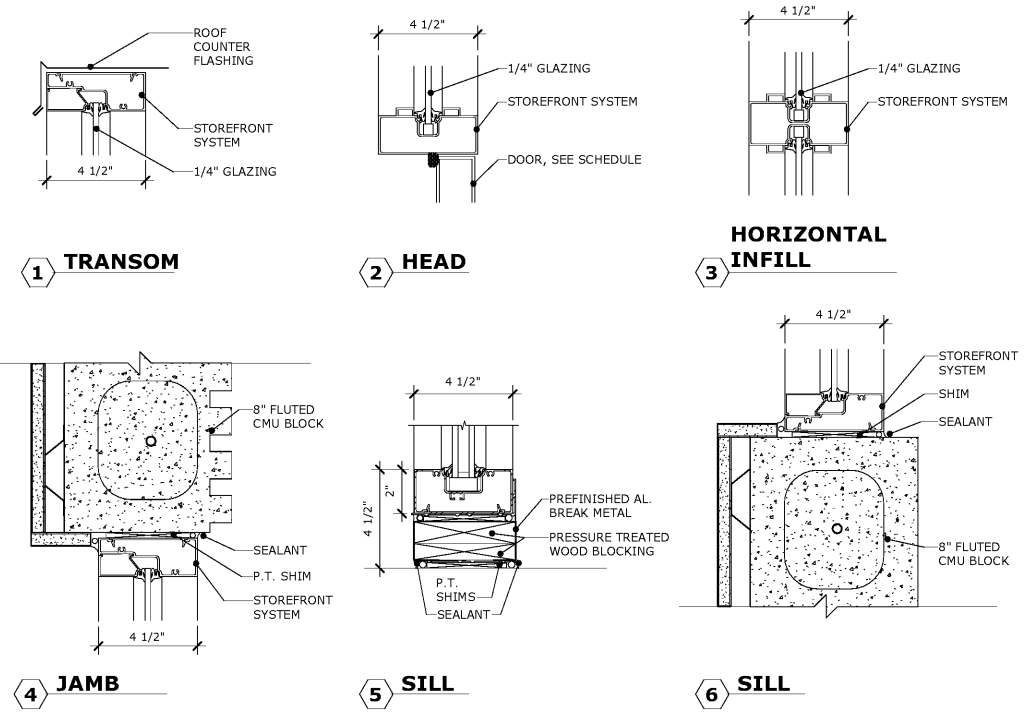
STOREFRONT TYPES SCALE: 1/4" = 1'-0"



GLAZING SCHEDULE

- G-1 1/4", TEMPERED, CLEAR
- G-2 1/4", TEMPERED, FROSTED

STOREFRONT DETAILS SCALE: 3" = 1'-0"



KEY PLAN:

REVISIONS:	
Date	Description

**CCSD
 I.T./TRAINING
 DEPARTMENT**
 FOR
 COLUMBIA COUNTY SCHOOL DISTRICT
 4395 RIVERWATCH PARKWAY
 EVANS, GA 30809

DRAWING TITLE	
STOREFRONT DETAILS	
PROJECT NO. 20-04C	DRAWING NO.
DATE 10/26/2020	A3.2
DRAWN BY RS	PAPER 24"x36"
ISSUE CD	

Order Plans @