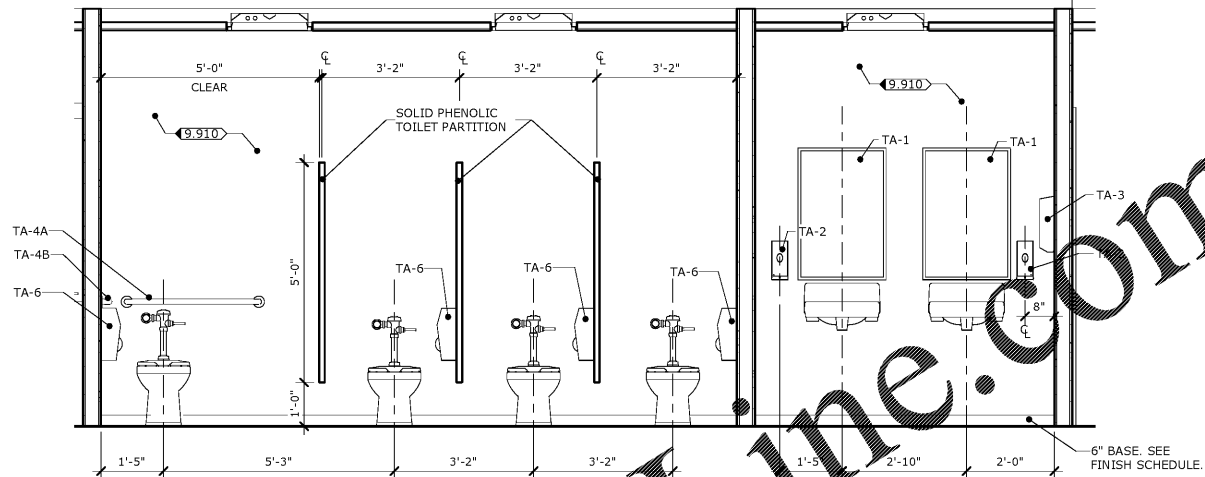
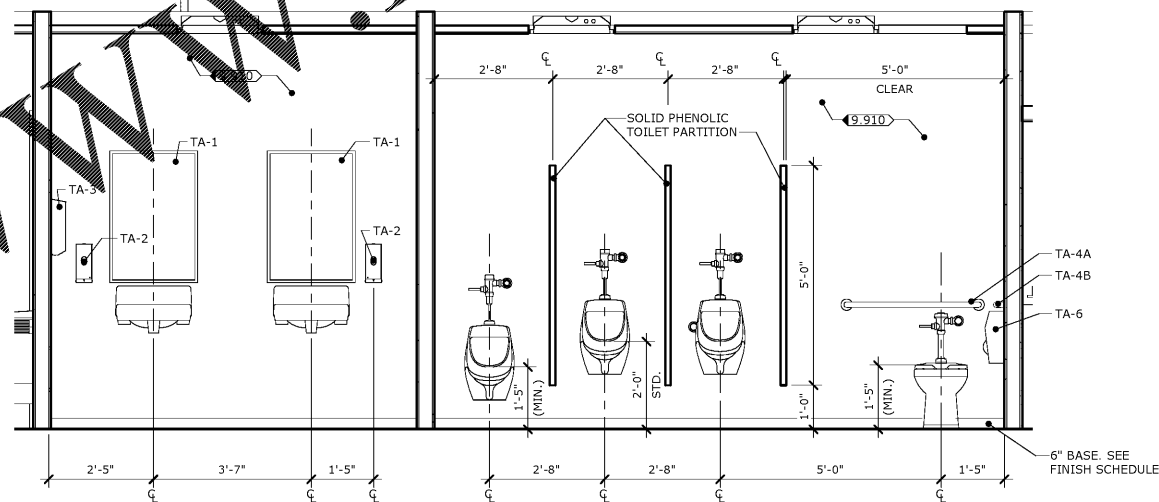


1 ENLARGED RESTROOM 131/132

A1.3 SCALE: 1/2" = 1'-0"



2 SECTION
A1.9 SCALE: 1/2" = 1'-0"



3 SECTION
A1.9 SCALE: 1/2" = 1'-0"

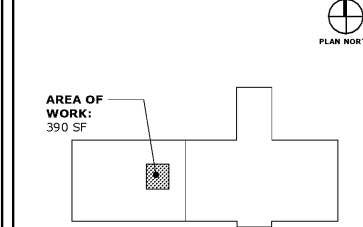


This document is the property of 2KM Architects, Inc. The unauthorized reproduction, copying, or otherwise use of this document is strictly prohibited and any infringement thereupon may be subject to legal action. Copyright © 2020, 2KM Architects, Inc.

GENERAL NOTES:

- SEE A1.8 FOR TOILET ACCESSORIES ELEVATIONS.
- SEE A1.2 FOR PARTITION TYPES.

KEY PLAN:



REVISIONS:

Date	Description

CCSD
I.T./TRAINING
DEPARTMENT

FOR
COLUMBIA COUNTY SCHOOL DISTRICT

4395 RIVERWATCH PARKWAY
EVANS, GA 30809

DRAWING TITLE

ENLARGED PLANS
AND ELEVATIONS

PROJECT NO.	20-04C	DRAWING NO.	A1.9
DATE	10/26/2020		
DRAWN BY	MP		
PAPER	24"x36"		
ISSUE	CD		

CONSTRUCTION NOTES

DIVISION 9 - FINISHES

- 9.300 INSTALL NEW CERAMIC TILE FLOORING AS SCHEDULED.
- 9.512 INSTALL NEW 2'x2' ACOUSTICAL TILE CEILING AND GRID.
- 9.910 PRIME AND PAINT GPDW OR CMU WALLS, DOORS FRAMES AND TRIM. CLEAN ALL EXISTING PAINT SURFACES W/ SYNTHETIC TSP SOLUTION FOR NEW PAINT SURFACE PREPARATION.

DIVISION 10 - SPECIALTIES

- 10.171 INSTALL NEW SOLID PHENOLIC TOILET PARTITIONS.
- 10.800 INSTALL NEW SOAP DISPENSER, PAPER TOWEL DISPENSER, AND MIRROR PER TOILET ACCESSORIES SCHEDULE.

DIVISION 22 - PLUMBING

- 22.400 INSTALL NEW WALL-MOUNTED SINKS W/ NEW FAUCETS, TRAPS, ADA COVERS AND RISER PADS.

DIVISION 23 - HVAC

- 23.340 INSTALL NEW FAN GRILLES.

DIVISION 26 - ELECTRICAL

- 26.510 INSTALL NEW 2'x4' L.E.D. LIGHT FIXTURES.

TOILET ACCESSORIES SCHEDULE A1.9

#	DESCRIPTION	MANUFACTURER	MODEL #	MOUNTING HEIGHT	NOTES
TA-1	MIRROR @ SINK	BRADLEY	#781-2436	40" TO BOTTOM OF UNIT (MAX)	FBCIBC
TA-2	SOAP DISPENSER	BY OWNER	BY OWNER	42" TO BOTTOM	FBOIBO
TA-3	PAPER TOWEL DISPENSER	BY OWNER	BY OWNER	OPERABLE PORTION @ 48" A.F.F.	FBOIBO
TA-4A	36" GRAB BAR	BRADLEY	812-001-36	33" - 36" TOP OF GRAB SURFACE	FBCIBC
TA-4B	42" GRAB BAR	BRADLEY	812-001-42	33" - 36" TOP OF GRAB SURFACE	FBCIBC
TA-6	TOILET PAPER DISPENSER	BY OWNER	BY OWNER	OPERABLE PORTION @ 18" A.F.F.	FBOIBO
TA-7	COAT HOOK	BRADLEY	9118-81	48" (A.F.F.)	FBCIBC

Order Plans @

WWW.LDILINE.COM