

MIAMI-DADE COUNTY
 DEPARTMENT OF REGULATORY AND ECONOMIC RESOURCES (RER)
 BOARD AND CODE ADMINISTRATION DIVISION

MIAMI-DADE COUNTY
 PRODUCT CONTROL SECTION
 11995 S.W. 36 Street, Room 200
 Miami, Florida 33175-2474
 T (786) 315-2960 F (786) 315-2869
 www.miamidade.gov/pcsc0250306025

NOTICE OF ACCEPTANCE (NOA)

Petersen Aluminum Corporation
 102 Northpoint Parkway, Bldg. 106
 Acworth, GA. 30102

SCOPE:
 This NOA is being issued under the applicable rules and regulations governing the use of construction materials. The documentation submitted has been reviewed and accepted by Miami-Dade County RER - Product Control Section to be used in Miami-Dade County and other areas where allowed by the Authority Having Jurisdiction (AHJ).

This NOA shall not be valid after the expiration date stated below. The Miami-Dade County Product Control Section (i.e. Miami-Dade County) and/or the AHJ (in areas other than Miami-Dade County) reserves the right to have this product or material tested for quality assurance purposes. If this product or material fails to perform in the accepted manner, the manufacturer will incur the expense of such testing and the AHJ may immediately revoke, modify, or suspend the use of such product or material within their jurisdiction. RER reserves the right to revoke this acceptance, if it is determined by Miami-Dade County Product Control Section that this product or material fails to meet the requirements of the applicable building code.

This product is approved as described herein, and has been designed to comply with the Florida Building Code including the High Velocity Hurricane Zone of the Florida Building Code.

DESCRIPTION: Tite-Loc Plus .032" x 16" and 18" Wide Aluminum Panel over Wood Deck

LABELING: Each unit shall bear a permanent label with the manufacturer's name or logo, city, state and following statement: "Miami-Dade County Product Control Approved", unless otherwise noted herein.

RENEWAL: of this NOA shall be considered after a renewal application has been filed and there has been no change in the applicable building code negatively affecting the performance of this product.

TERMINATION: of this NOA will occur after the expiration date or if there has been a revision or change in the materials, use, and/or manufacture of the product or process. Misuse of this NOA as an endorsement of any product, for sales, advertising or any other purposes shall automatically terminate this NOA. Failure to comply with any section of this NOA shall be cause for termination and removal of NOA.

ADVERTISEMENT: The NOA number preceded by the words Miami-Dade County, Florida, and followed by the expiration date may be displayed in advertising literature. If any portion of the NOA is displayed, then it shall be done in its entirety.

INSPECTION: A copy of this entire NOA shall be provided to the user by the manufacturer or its distributors and shall be available for inspection at the job site at the request of the Building Official.

This NOA revises and replaces NOA 15-0428/04 and consists of pages 1 through 5.

The submitted documentation was reviewed by *Freddy Semina*

MIAMI-DADE COUNTY APPROVED

NOA No: 17-1082.07
 Expiration Date: 04/18/23
 Approval Date: 11/02/17
 Page 1 of 5

ROOFING ASSEMBLY APPROVAL:

Category: Roofing
Sub-Category: Non-Structural Metal Roofing
Material: Aluminum
Deck Type: Wood
Maximum Design Pressure: -174.25 psf.

TRADE NAMES OF PRODUCTS MANUFACTURED OR LABELED BY APPLICANT:

Product	Dimensions	Test Specifications	Product Description
Tite-Loc Plus .032" Aluminum Panel	Length: varies Width: 16" and 18" Height: .032" Thickness: .032" Min. Yield Strength: 20 ksi.	TAS 110	Valpar Fluoropolymer coated roll formed .032" aluminum interlocking panels.
Tite-Loc Plus Clips	Length: 4.3" Width: 2.145" Height: 2.1" Base Thickness: .188" Tab Thickness: .228"	TAS 110	Galvanized Steel or Stainless steel stamped clips for use with Tite-Loc Plus .032" aluminum panel.

EVIDENCE SUBMITTED:

Test Agency	Test Identifier	Test Name/Report	Date
Architectural Testing	H8438.02-450-18	TAS 125	09/14/17
Architectural Testing Inc.	74913.01-109-18-1	TAS 100	04/15/13
Valpar	433X515	Salt Spray ASTM B 117 Accelerated	1/21/11
	433B173	ASTM G 23	

SYSTEM LIMITATIONS

- Fire classification is not part of this acceptance; refer to a current Approved Roofing Materials Directory for fire ratings of this product.
- The maximum designed pressure listed herein shall be applicable to all roof pressure zones (i.e. field, perimeters, and corners). Neither national analysis, nor extrapolation shall be permitted for enhanced fastening at enhanced pressure zones (i.e. perimeters, expanded corners and corners).
- Panels may be roll formed in continuous lengths from eave to ridge. Maximum lengths shall be as described in Roofing Application Standard RAS 133.
- All panels shall be permanently labeled with the manufacturer's name and/or logo, city, state, and the following statement: "Miami-Dade County Product Control Approved" or with the Miami-Dade County Product Control Seal as seen below. All clips shall be permanently labeled with the manufacturer's name and/or logo, and/or model.
- All products listed herein shall have a quality assurance attestation in accordance with the Florida Building Code and Rule 61G20-3 of the Florida Administrative Code.
- Panels may be shop or jobsite roll formed with machine models # 10110984, #09578860 or #1110977 from PAC Contractors Association or manufactured at Petersen Aluminum Corporation's plant in Acworth, GA.

MIAMI-DADE COUNTY APPROVED

NOA No: 17-1082.07
 Expiration Date: 04/18/23
 Approval Date: 11/02/17
 Page 4 of 5

APPROVED ASSEMBLIES:

System A: Tite-Loc Plus .032" Aluminum 16" and 18" Wide Panel
Deck Type: Wood, Non-Insulated
Deck Description: New Construction 1 1/2" or greater plywood or wood plank
Slope/Rafter: 2": 12" or greater
Maximum Uplift Pressure: See Table A below

Deck Attachment: In accordance with applicable building code, in the case it shall be less than #10 ring shank nails spaced at distance listed below in Table A, or 6:6" spacing, where deck is less than 1 1/2" thick (minimum 1/2" gap above attachment). Method must be in addition to existing attachment.

Underlayment: Minimum underlayment shall be an ASTM D 226 Type II installed with a minimum 4" side-laps and 6" end-laps. Underlayment shall be fastened with corrosion resistant tie-rope and 1 1/2" diameter ring shank nails spaced 6" o.c. at all laps and two staggered rows 12" o.c. in field of the roof. Miami-Dade County Product Control Approved.

Fire Barrier: Any approved fire barrier having a current NOA. Refer to a current fire directory listing for fire ratings of the roofing system assembly as well as the location of the fire barrier within the assembly. See Limitation # 1.

Roofing construction shall be in compliance with Roofing Application Standard RAS 133 and with the current published installation instructions and details in PAC Contractors Association's Roofing Installation Manual.

Install the "Tite-Loc Plus .032" Aluminum Panel" panels including flashing penetrations, valleys, end laps and accessories in compliance PAC Contractors Association's current, published installation instructions and in compliance with the minimum requirements detailed in Roofing Application Standard RAS 133.

Tite-Loc panels shall be secured with Tite-Loc Plus clips at a spacing listed below in Table A. Clips are to be fastened with a minimum of two #10 x 1-1/2" long pan-head bolts across of sufficient length to penetrate through the deck to a minimum of 1/2".

Place the female end of the adjacent panel over the clip/pant male assembly and seam 180° degree. See detail herein. Factory or field applied sealant in the seam is optional.

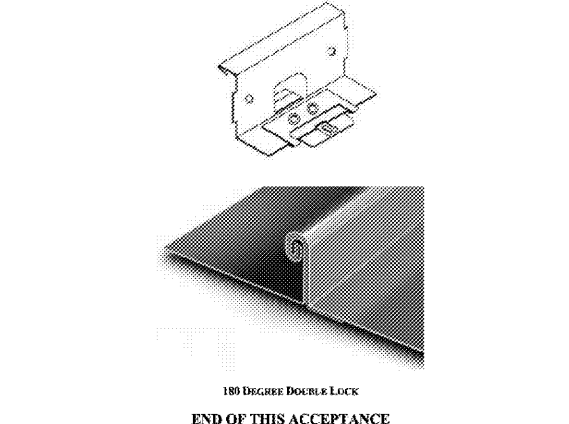
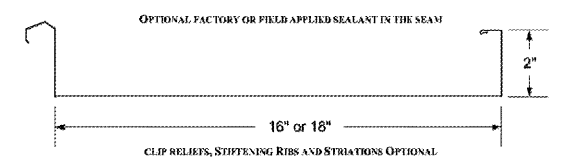
Roof Area	Field	Perimeter and Corner ¹
Maximum Design Pressures	-174.25 psf.	-174.25 psf.
Maximum Clip Spacing	24" o.c.	6" o.c.
Maximum Plywood Nail Spacing	6" o.c.	3" o.c.

1. Extrapolation shall not be allowed.

MIAMI-DADE COUNTY APPROVED

NOA No: 17-1082.07
 Expiration Date: 04/18/23
 Approval Date: 11/02/17
 Page 3 of 5

PROFILE DRAWING



MIAMI-DADE COUNTY APPROVED

NOA No: 17-1082.07
 Expiration Date: 04/18/23
 Approval Date: 11/02/17
 Page 5 of 5

Order Plans @ www.LDilina.com

FleischmanGarcia
 ARCHITECTS
 2515 PALM AVENUE, SUITE 100
 MIAMI, FLORIDA 33134
 PHONE (305) 351-4000
 FAX (305) 351-2800
 REGISTRATION NUMBER: AA 000217

Pasco County Fire & Rescue Station No. 17
 New Port Richey, Florida

THIS DESIGN AND DRAWING IS THE SOLE PROPERTY OF FLEISCHMAN-GARCIA ARCHITECTS. NO PART OF THIS WORK MAY BE REPRODUCED WITHOUT THE WRITTEN PERMISSION FROM FLEISCHMAN-GARCIA ARCHITECTS.

LETTERS TO THE LEFT OF THIS DRAWING INDICATE THE DRAWING NUMBER. ALL RELEVANT BUILDING CODES.

FGA PROJECT NUMBER
19039

ISSUE DATE
05-25-20

SHEET NUMBER
PA-6

PRODUCT APPROVAL - METAL ROOFING

A1
 NTS