

Order Plans @ WWW.DILINE.COM

RICE ENGINEERING
100 Richard Creek Trail
Lynchburg, VA 24221
Phone: (803) 945-1642
Fax: (803) 945-1648
www.riceinc.com

Engineering Evaluation Report

Manufacturer: Winco Window Co.
6200 Maple Ave.
St. Louis, MO 63130

Product Line: Impact 3410 Horizontal Sliding Window

Compliance:
The above mentioned product has been evaluated for compliance with the requirements of the Florida Department of Business and Professional Regulation for Statewide Acceptance per Rule 61G20-3.006. The product listed herein complies with the Florida Building Code 6th Edition (2017).

Product Description:
Aluminum sliding window. Frame made of extruded aluminum 6063-T6. Insulated glass with 1/4" air gap; inboard glass consists of laminated glass with two heat strengthened 3/16" thin and 6/32" thick laminated Kurorey Safety Glass interlayer film used. Outboard glass consists of one heat strengthened 1/4" thin.

Supporting Technical Documentation:

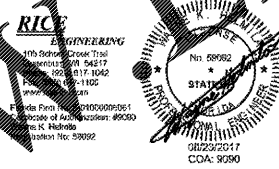
1. Test Reports:
Report No.: SV30610.20160608
Project No.: 4787371413
UL LLC
Northbrook, Illinois
ASTM E 330
ASTM E 1996, ASTM E1998, ASTM E1900-04, AAMA NWWDA 101.1 S.2/A440-06, AAMA 506
2. Anchor calculations prepared, signed and sealed by Wayne Helmke, PE
3. Drawings titled 3410 Horizontal Sliding Inset, prepared, signed and sealed by Wayne Helmke, PE.

Limitations and Conditions of use:

- Maximum design pressure: 4.550 psf
- Maximum window size: 106" x 73"
- Frame material to be extruded aluminum 6063-T6.
- This product is impact resistant and is thus approved for impact.

Installation:
Units must be installed in accordance with manufacturer instructions.

Certification of Independence:
Please note that I do not have nor will acquire a financial interest in any company manufacturing or distributing the product(s) for which this report is being issued. Also, I do not have nor will acquire a financial interest in any other entity involved in the approval process of the listed product.



Winco Window Company
6200 Maple Avenue
St. Louis, MO 63130

Attn: Ken Sneider

This authorization is based on the successful completion of tests, and the results of the AAMA Director of the results of tests by an AAMA Accredited Laboratory. The testing below will be added to the record of the AAMA Certified Products Directory.

SPECIFICATIONS		RECORD OF PRODUCT TESTED	
AAMAWWBA CBA 1014.8.2/ 440-08 AW-PG69-2748x1849 (105x73)-HS	AAMA 506	SERIES MODEL 3410 HORIZONTAL SLIDER w/SUB SLL (AL) (OK) (NS)	MAXIMUM SIZE TESTED FRAME(mm) 2748 x 1849 108" x 73" SASH(mm) 1376 x 1766 54" x 70"
COMPANY AND PLANT LOCATION Winco Window Company St. Louis, MO	Model 1014.8.2 Rating 4654.0, 10 Wind Zone 3 Rating above conformity with AAMA 506 E1996	QID 16761	

This Certification was issued June 8, 2021 and requires validation until first by continued listing in the current AAMA Certified Products Directory.

2. Technical Report by:
Metrotech Testing Laboratory, Inc.
Report No: 17018-C
Date of Report: June 2, 2017

SRS/STS

ADA-14 (Rev. 01/16)

Missile Impact Test & Report by:
UL LLC
Report No: EV30610-20160608 Rev.
Date of Report: July 5, 2016 (Revised July 20, 2017)

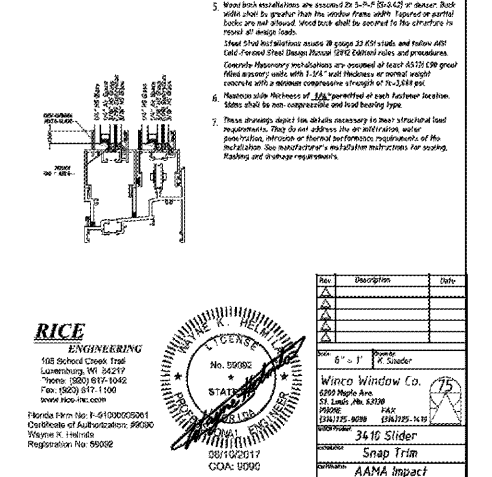
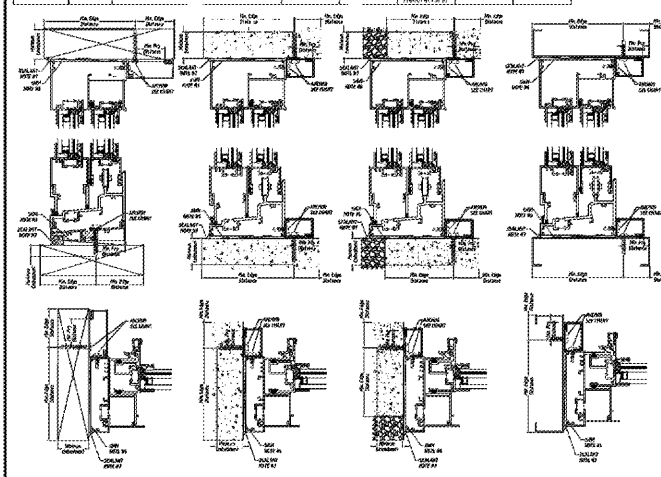
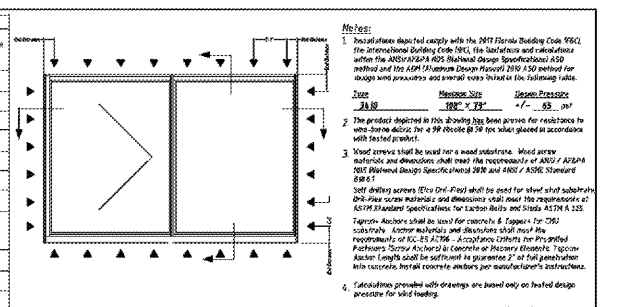
Evaluated for Certification: July 20, 2017

Paul Schultz
Associated Laboratories, Inc.

Authorized for Certification: July 20, 2017

James
American Architectural Manufacturers Association

Anchor Information							
SUBSTRATE	LOCATION	ANCHOR (or equivalent)	C-C SPACING (in)	END DISTANCE (in)	EMBEDMENT (in)	EDGE DISTANCE (in)	Qty (each)
ALU. TRIM (R = 0.125)	HEAD	1/2" Lag x 4.00 SWS	6" N/A	1.75"	1.50"/2.00"	1.75"	Per Test
	TAIL	1/2" Lag	6"	6"	1.50"/2.00"	1.75"	Per Test
CONCRETE (15000 psi)	HEAD	2" Dia. Threaded Fastener - 1.80 S.S. Screw	6.5x11.8"	6"	2"	1.5x1.4"	1
	TAIL	2" Dia. Threaded Fastener - 1.80 S.S. Screw	6.5x11.8"	6"	2"	1.5x1.4"	1
CMU (No. 8 Steel)	HEAD	2" Power Topper - 1.80 S.S. Screw	5.7x8"	6"	1.5x2"	1.5x2"	1
	TAIL	2" Power Topper - 1.80 S.S. Screw	5.7x8"	6"	1.5x2"	1.5x2"	1
STEEL (50ksi)	HEAD	2" Dia. Bolt - 1.80 S.S. Screw	6.7x8"	6"	Per Manufacturer	1"	1
	TAIL	2" Dia. Bolt - 1.80 S.S. Screw	6.7x8"	6"	Per Manufacturer	1"	1



RICE ENGINEERING
100 Richard Creek Trail
Lynchburg, VA 24221
Phone: (803) 945-1642
Fax: (803) 945-1648
www.riceinc.com

Florida Firm No: F-9100003001
Date of Issue: 08/23/2017
Registration No: 95992

Winco Window Co.
6200 Maple Ave.
St. Louis, MO 63130
Phone: (314) 431-1000
Fax: (314) 431-1000
www.winco.com

3410 Slider
Snap Trim
AAMA Impact

PRODUCT APPROVAL - WINDOWS

A1
NS

Pasco County Fire & Rescue Station No. 17
New Port Richey, Florida

FGA PROJECT NUMBER
19039

ISSUE DATE
05-25-20

SHEET NUMBER
PA-1

FleischmanGarcia
ARCHITECTURE • ENGINEERING • INTERIOR DESIGN
SAFETY BARBERSVILLE, MD 21158
100 SOUTH PARK AVENUE, SUITE 100
NEWPORT RICHEY, FL 34655
PHONE: (813) 751-9800
FAX: (813) 751-9800
REGISTRATION NUMBER: AA 0000123