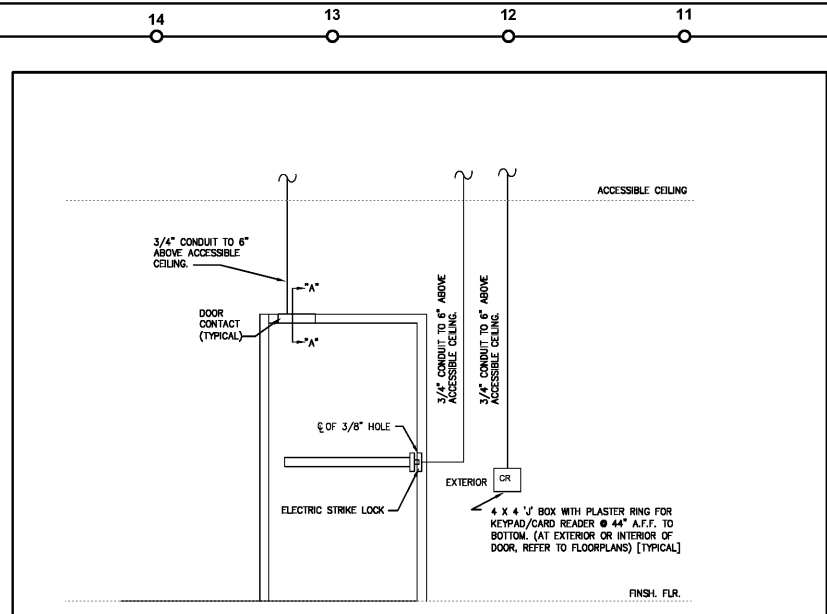
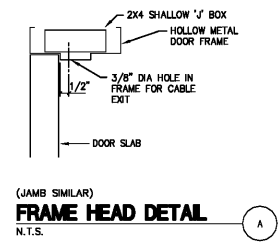


Order Plans @ www.lidilne.com



**SINGLE DOOR - ELECTRIC STRIKE LOCK**

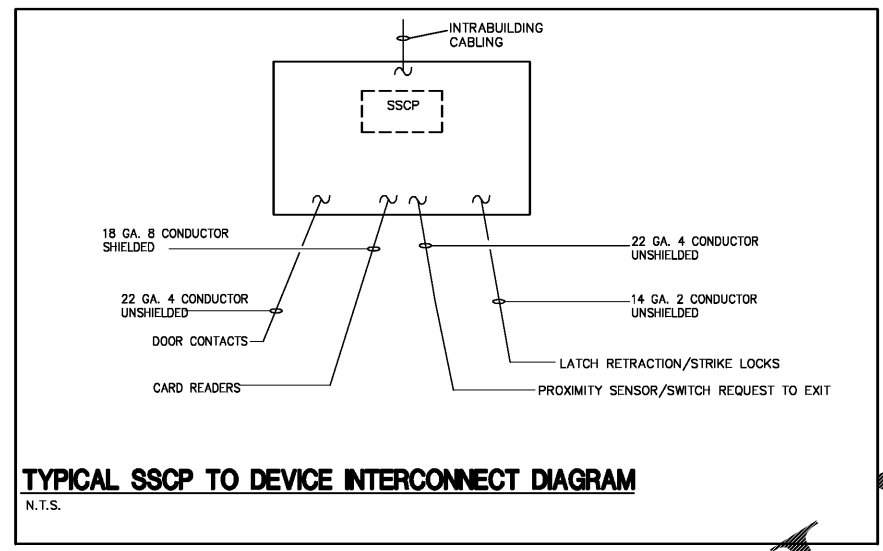


**FRAME HEAD DETAIL**  
N.T.S.

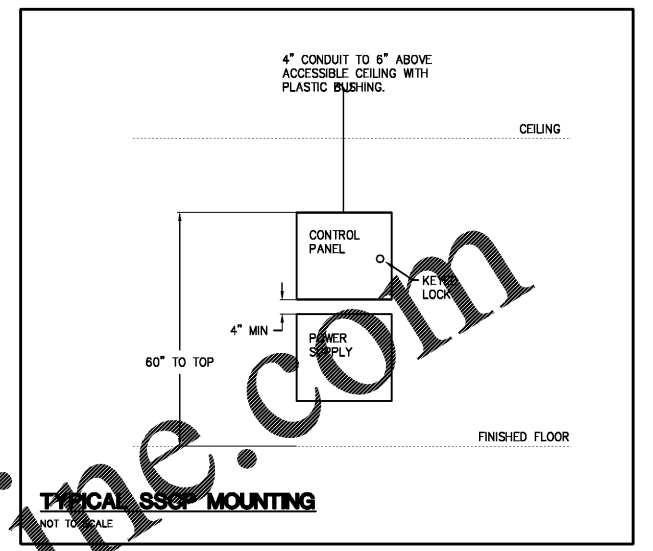
**SECURITY NOTES:**

1. THIS CONTRACTOR SHALL COORDINATE WITH DOOR HARDWARE CONTRACTOR TO DETERMINE PROPER DOOR LOCK ROUGH-IN REQUIREMENT AT EACH DOOR. DETAILS SHOWN HEREIN DEPICT TYPICAL INSTALLATION.
2. PROVIDE A 20' COILED AND EXPOSED SERVICE LOOP OF CABLE AT THE DESTINATION POINTS FOR EACH REQUIRED DEVICE.
3. PROVIDE ONE HOME RUN PER DEVICE INDICATED ON PLANS BACK TO PANEL LOCATION IN COMM. ROOMS. SEE DIAGRAMS THIS SHEET FOR CABLE TYPES PER DEVICE.
4. LABEL EACH HOME RUN WITH DESTINATION ROOM NUMBER AND DEVICE TYPE. DURABLE LABEL TO BE APPLIED AT PANEL END OF CABLE.
5. ALL SECURITY SYSTEMS' CABLING SHALL BE STRANDED CONDUCTOR.
6. ELECTRICAL CONTRACTOR SHALL COORDINATE EXACT PLACEMENT OF DOOR CONTACT AND DRILL 3/8\"/>

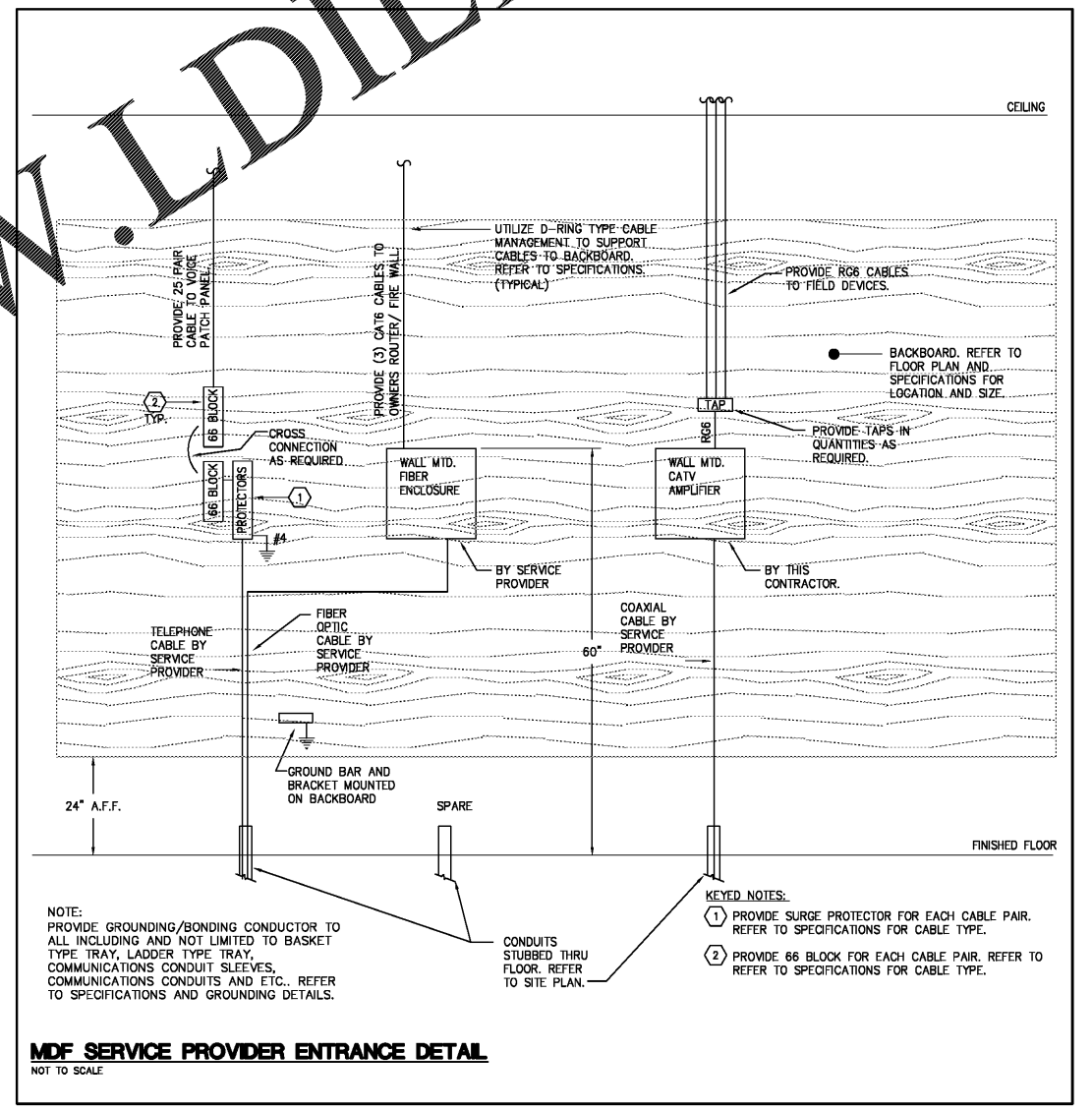
**TYPICAL AUTOMATED DOOR ENTRY SYSTEM DOOR CONDUIT ROUGH-IN DETAIL**  
NOT TO SCALE



**TYPICAL SSCP TO DEVICE INTERCONNECT DIAGRAM**  
N.T.S.



**TYPICAL SSCP MOUNTING**  
NOT TO SCALE



**MDF SERVICE PROVIDER ENTRANCE DETAIL**  
NOT TO SCALE

NOTE:  
PROVIDE GROUNDING/BONDING CONDUCTOR TO ALL INCLUDING AND NOT LIMITED TO BASKET TYPE TRAY, LADDER TYPE TRAY, COMMUNICATIONS CONDUIT SLEEVES, COMMUNICATIONS CONDUITS AND ETC., REFER TO SPECIFICATIONS AND GROUNDING DETAILS.

KEYED NOTES:  
(1) PROVIDE SURGE PROTECTOR FOR EACH CABLE PAIR. REFER TO SPECIFICATIONS FOR CABLE TYPE.  
(2) PROVIDE 66 BLOCK FOR EACH CABLE PAIR. REFER TO SPECIFICATIONS FOR CABLE TYPE.

**ENGINEERING MATRIX, INC.**  
CONSULTING ENGINEERS  
2880 SCHEERER DRIVE, SUITE 640  
ST. PETERSBURG, FLORIDA 33716  
(727) 375-4668 FAX (727) 375-4666 EMAIL: em@matrixinc.com  
CERT. OF AUTHORIZATION NO. 42898 EMI JOB NO. 19-0960  
© 2019 Engineering Matrix, Inc. DRAWN BY: EM CHECKED BY: JSW

**FleischmanGarcia**  
ARCHITECTS  
3501 WINDY PARK AVENUE, SUITE 100  
TAMPA, FLORIDA 33629  
PHONE (813) 725-8800  
FAX (813) 725-2006  
REGISTRATION NUMBER: AA 0002327

**Pasco County  
Fire & Rescue Station  
No. 17**  
New Port Richey, Florida

THIS PERSON AND DRAWING ARE THE SOLE PROPERTY OF FLEISCHMAN-GARCIA ARCHITECTS. NO PART OF THIS WORK AND NOT BE REPRODUCED WITHOUT THE WRITTEN PERMISSION FROM FLEISCHMAN-GARCIA ARCHITECTS.  
I CERTIFY TO THE BEST OF MY KNOWLEDGE THAT THESE DRAWINGS COMPLY WITH ALL RELEVANT BUILDING CODES.

FGA PROJECT NUMBER  
**19039**

ISSUE DATE  
**05-25-20**

REVISIONS  
DATE: \_\_\_\_\_  
DATE: \_\_\_\_\_  
DATE: \_\_\_\_\_

SHEET NUMBER  
**E5.1**