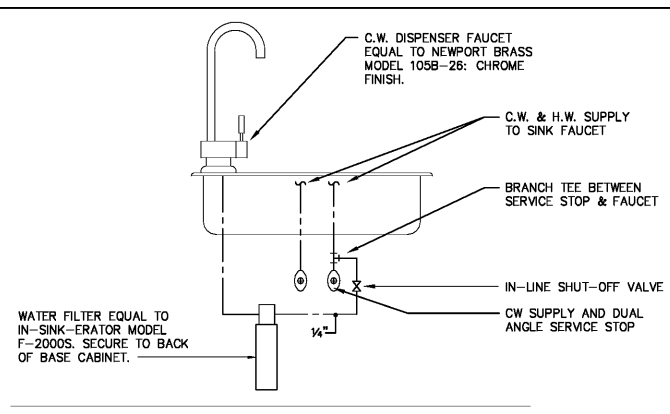
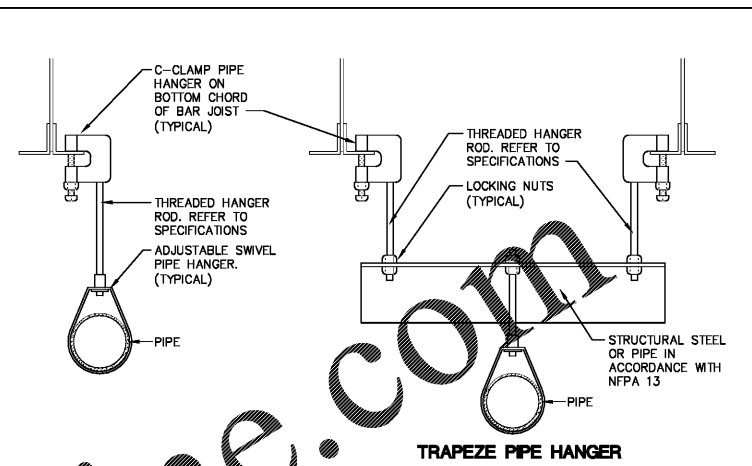


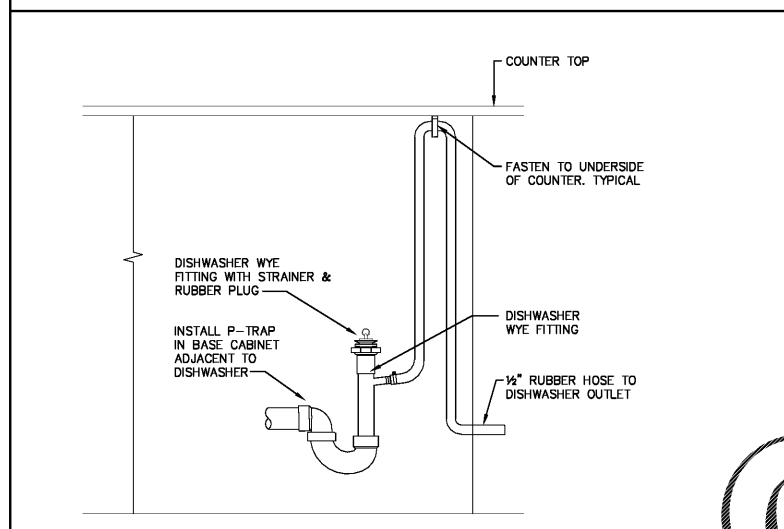
7 ISLAND SINK DETAIL
SCALE: NONE



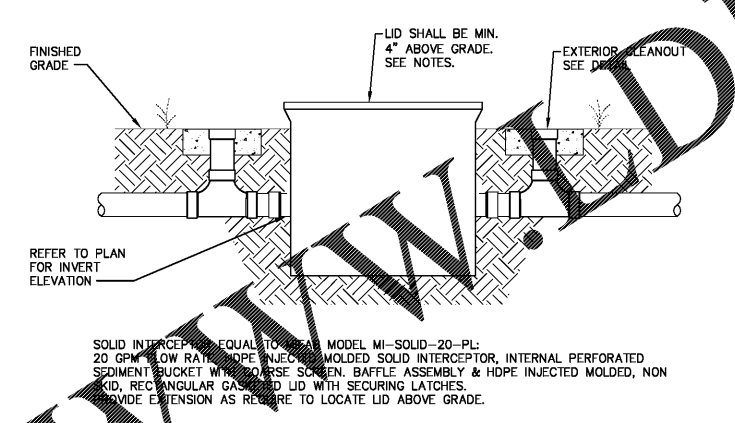
4 COLD WATER DISPENSER DETAIL
SCALE: NONE



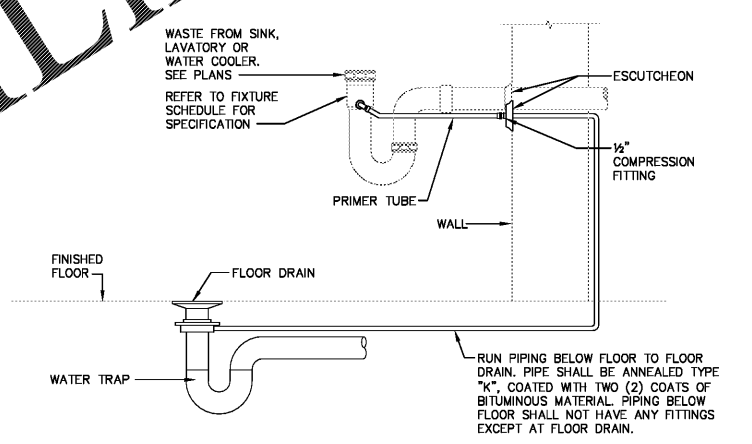
1 PIPE HANGER DETAIL
SCALE: NONE



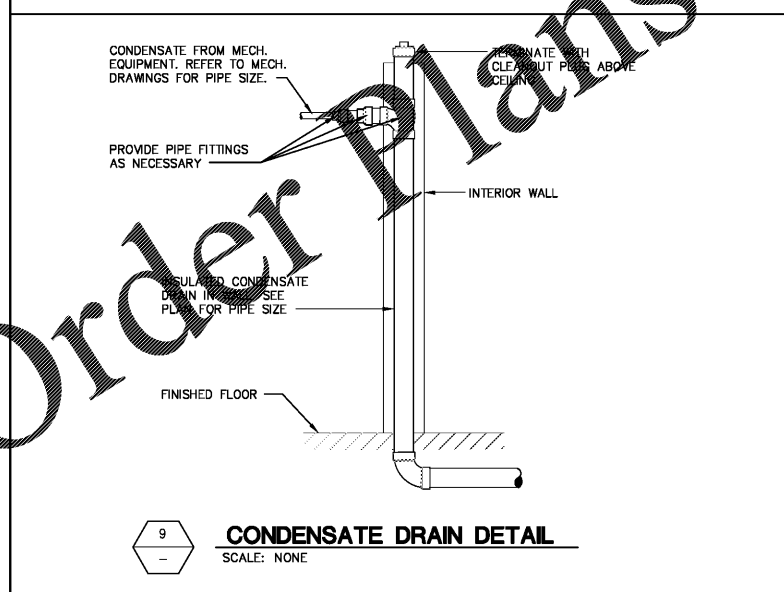
8 DISHWASHER DRAIN DETAIL
SCALE: NONE



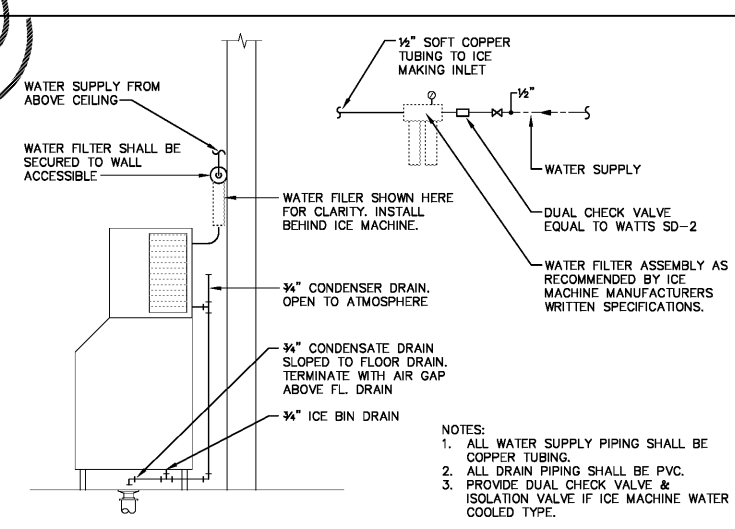
5 SOLID INTERCEPTOR
SCALE: NONE



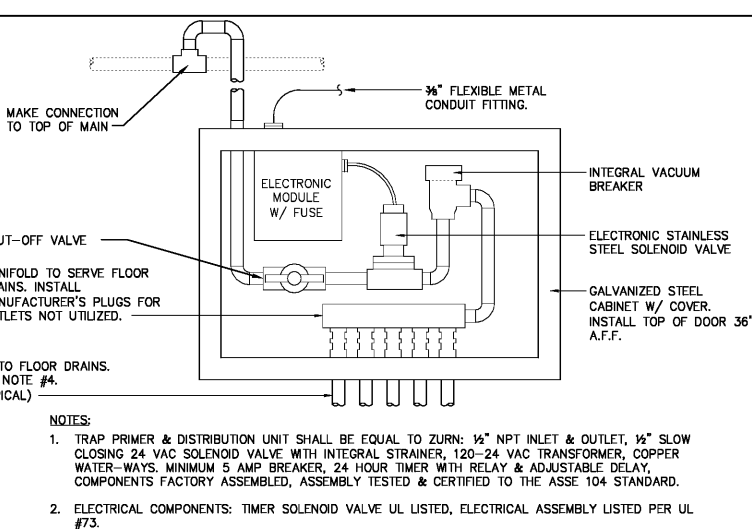
2 TRAP PRIMER DETAIL
SCALE: NONE



9 CONDENSATE DRAIN DETAIL
SCALE: NONE



6 ICE MACHINE DETAIL
SCALE: NONE



3 ELECTRONIC TRAP PRIMER DETAIL
SCALE: NONE

Order Plans @

WWW.DILine.com

05-21-20 Sheet Detail 10/18/19-0800 FGA CPA Fire Station 17/19/19/19-0800_J4_L14_2_J4_3_DETAIL.dwg

ENGINEERING MATRIX, INC.
CONSULTING ENGINEERS
2880 SCRIBNER DRIVE, SUITE 640
ST. PETERSBURG, FLORIDA, 33716
(727) 321-4668 FAX (727) 321-4666 EMAIL: ematrix@matrixinc.com
CERT. OF AUTHORIZATION NO. 4898
© 2019 Engineering Matrix, Inc. DRAWN BY: SCD CHECKED BY: JSW

FleischmanGarcia
REGISTERED PROFESSIONAL ENGINEER
FLORIDA LICENSE NO. 12517
REGISTERED PROFESSIONAL ARCHITECT
FLORIDA LICENSE NO. 12517
3510 W. PARK AVENUE, SUITE 100
TAMPA, FLORIDA 33609
PHONE (813) 282-9991
FAX (813) 282-9990
REGISTRATION NUMBER: AA 000273

**Pasco County
Fire & Rescue Station
No. 17**
New Port Richey, Florida

THIS PERSON AND DRAWING ARE THE SOLE PROPERTY OF FLEISCHMAN-GARCIA AND NO PART OF THIS WORK SHALL BE REPRODUCED WITHOUT WRITTEN PERMISSION FROM FLEISCHMAN-GARCIA
I CERTIFY TO THE BEST OF MY KNOWLEDGE THAT THESE DRAWINGS COMPLY WITH ALL RELEVANT BUILDING CODES

FGA PROJECT NUMBER
19039

ISSUE DATE
05-25-20

REVISIONS
DATE: _____
DATE: _____
DATE: _____

SHEET NUMBER
P4.2

PLUMBING DETAILS
A1
WTS