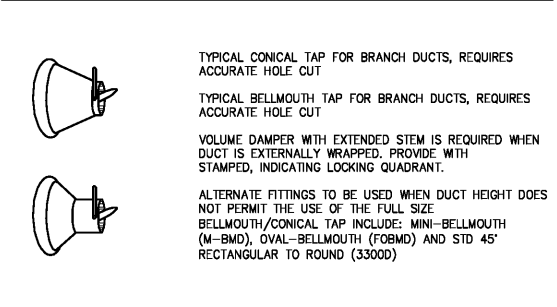
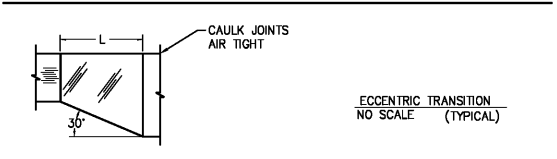
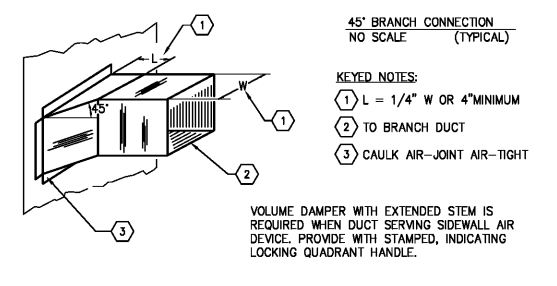
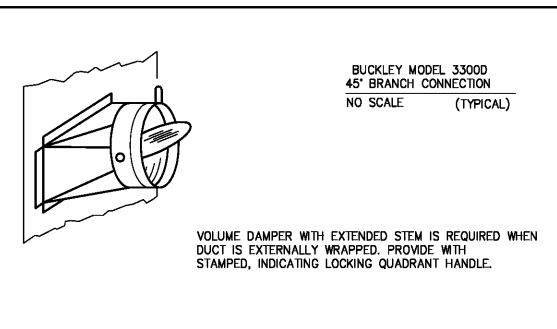
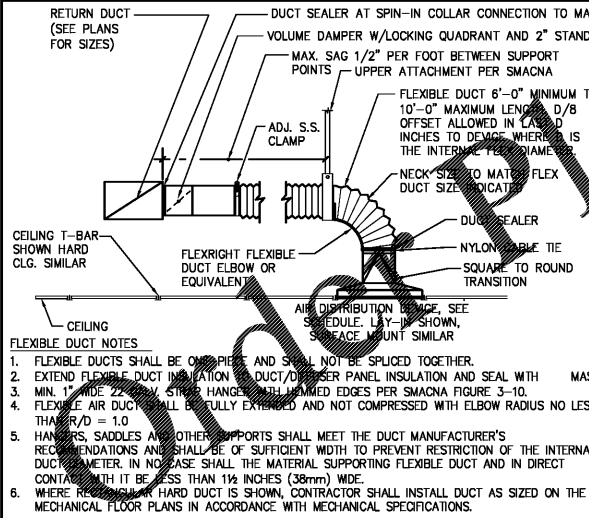


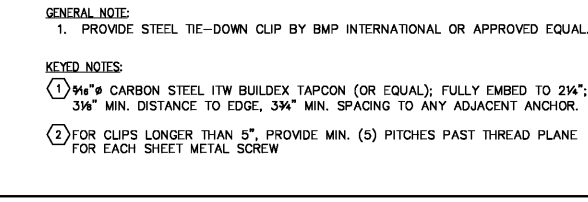
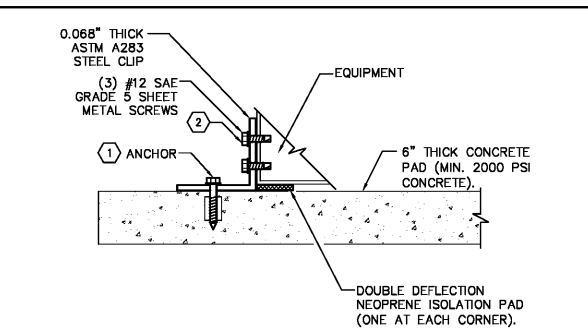
15 14 13 12 11 10 9 8 7 6 5 4 3 2 1



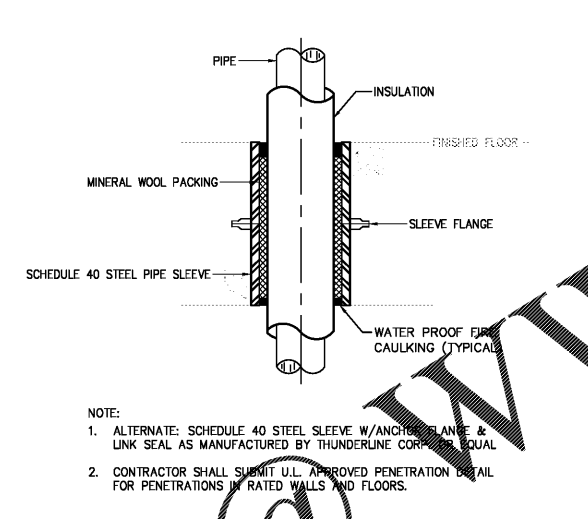
TYPICAL BRANCH TAKE-OFF DETAILS
NO SCALE



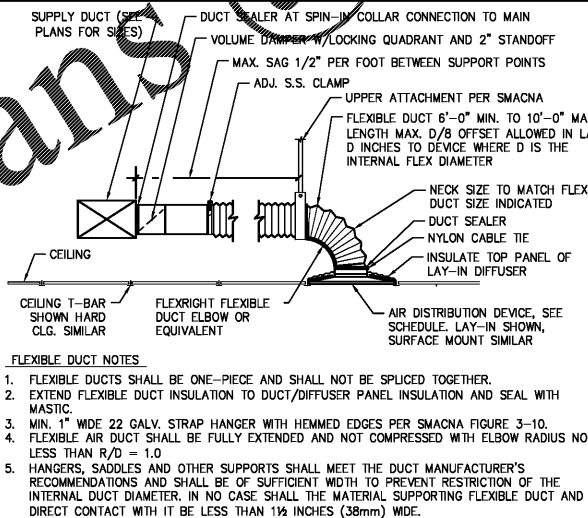
TYPICAL RETURN, EXHAUST, RELIEF AIR FLEXIBLE DUCT DETAIL
NO SCALE



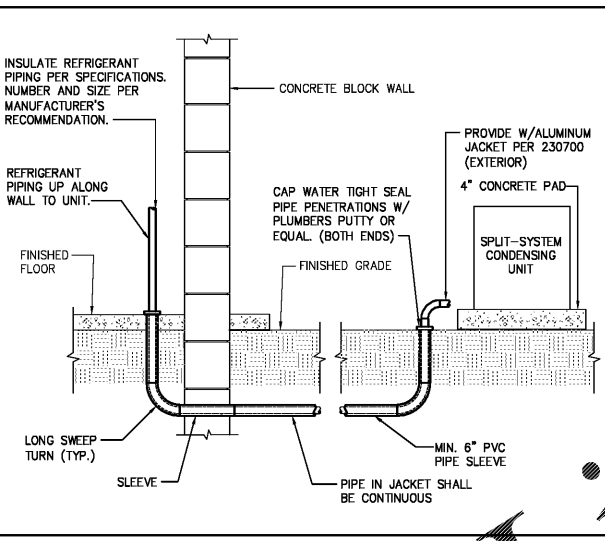
CU ANCHOR STRAP
NO SCALE



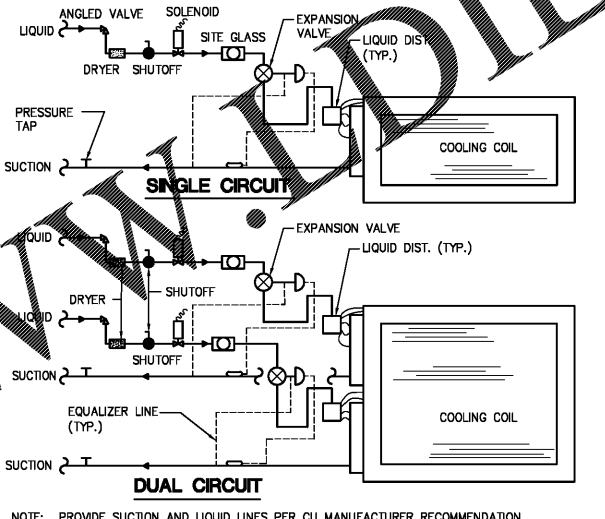
WATERTIGHT SLEEVE DETAIL
NO SCALE



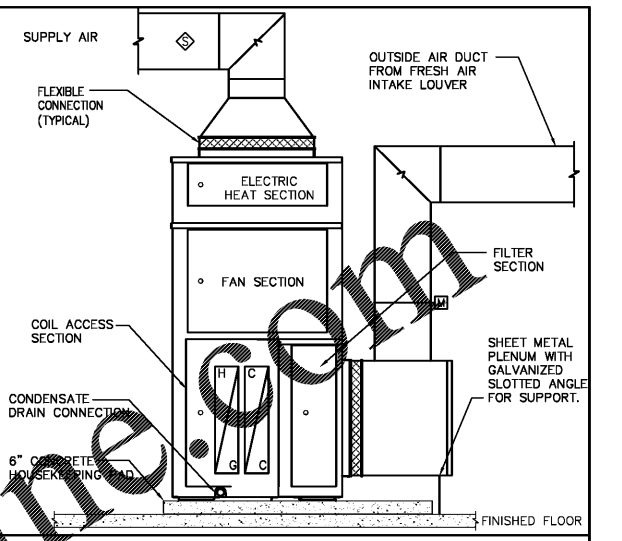
TYPICAL SUPPLY FLEXIBLE DUCT DETAIL
NO SCALE



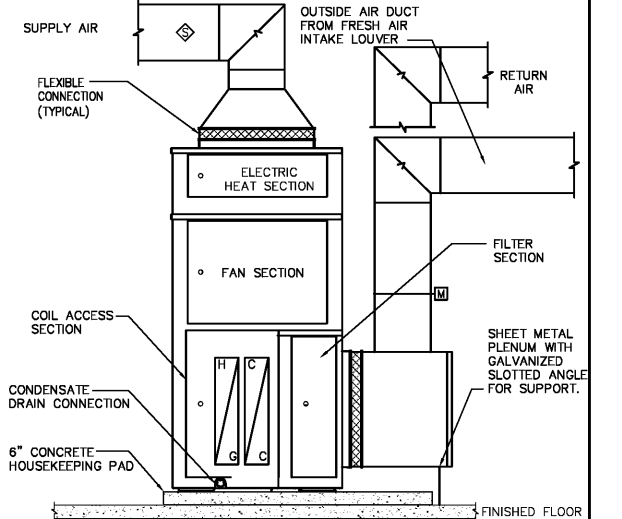
TYPICAL DX COIL PIPING DIAGRAM
NO SCALE



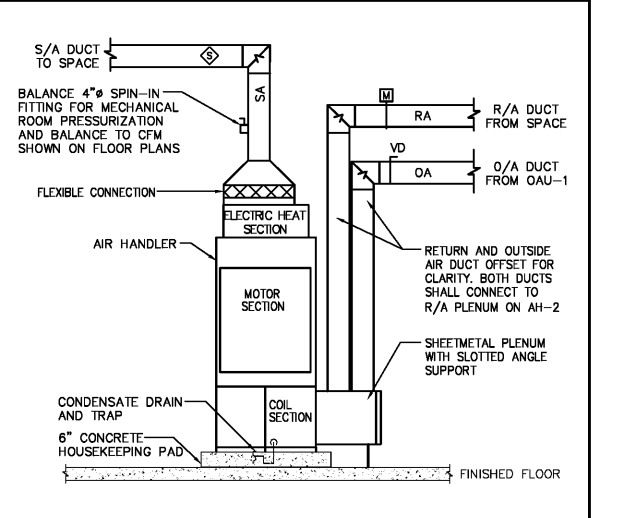
TYPICAL IN-LINE FAN INSTALLATION DETAIL
NO SCALE



100% OAU AIR HANDLER DETAIL
NO SCALE



AH-1-1 DETAIL
NO SCALE



TYPICAL VERTICAL HANDLER DETAIL
NO SCALE

MECHANICAL DETAILS A1 WTS

ENGINEERING MATRIX, INC.
CONSULTING ENGINEERS
2880 SCRIBNER DRIVE, SUITE 640
ST. PETERSBURG, FLORIDA, 33716
(727) 321-4668 FAX(727) 321-4666 EMAIL: em@matrixinc.com
CERT. OF AUTHORIZATION NO. 4898
© 2019 Engineering Matrix, Inc. DRAWN BY: RCM CHECKED BY: JSW

FleischmanGarcia
ARCHITECTS
2511 HYDRA PARK AVENUE, SUITE 100
TAMPA, FLORIDA 33606
PHONE (813) 726-8800
FAX (813) 726-8800
REGISTRATION NUMBER: AA 000223

Pasco County Fire & Rescue Station No. 17
New Port Richey, Florida

THIS PERSON AND DRAWING ARE THE SOLE PROPERTY OF FLEISCHMAN-GARCIA ARCHITECTS. NO PART OF THIS WORK MAY BE REPRODUCED WITHOUT THE WRITTEN PERMISSION OF FLEISCHMAN-GARCIA ARCHITECTS.

LETTERS TO THE BEST OF OUR KNOWLEDGE, SKILL AND CARE, WE HAVE PREPARED THIS DRAWING IN ACCORDANCE WITH ALL APPLICABLE BUILDING CODES.

FGA PROJECT NUMBER
19039

ISSUE DATE
05-25-20

REVISIONS
DATE: _____
DATE: _____
DATE: _____

SHEET NUMBER
M3.1

Johnna Wicks, 20191015-0000 FGA CPA File Station T:\Mechanical\19-0390_M3.1.dwg, 05/27/20