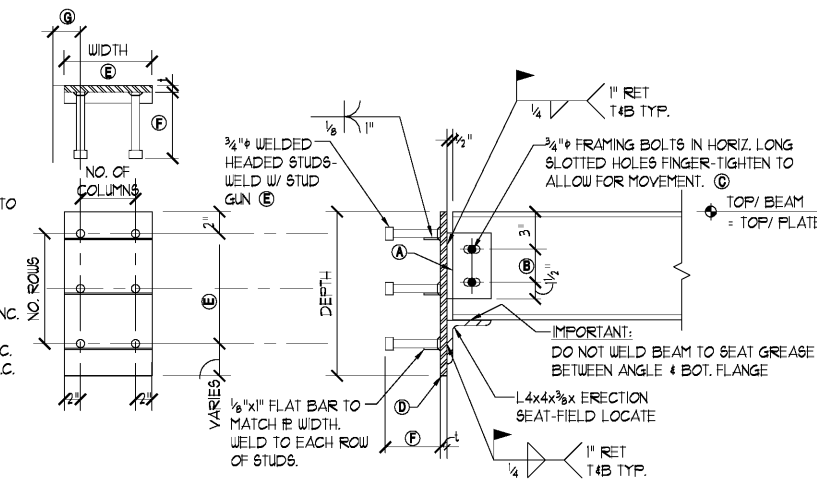
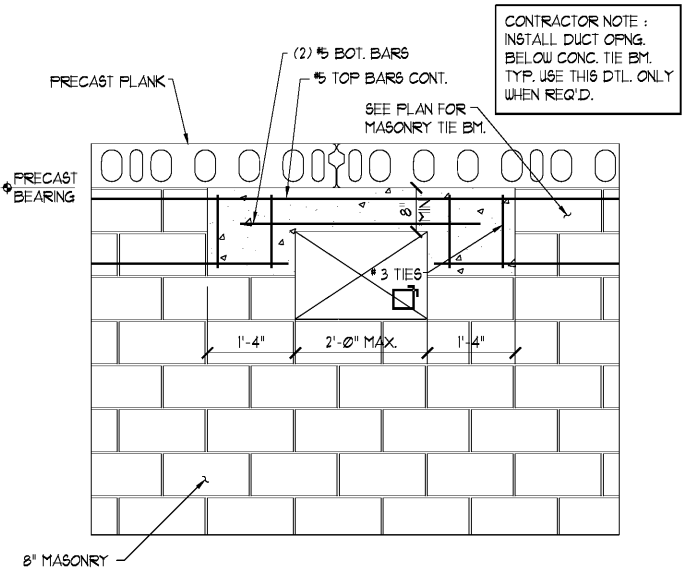


- NOTES:
- EMBED IN CONCRETE.
 - SEE PLATE SIZE FOR MIN. DEPTH CONC. INCREASE TIE BEAM DEPTH AS REQUIRED TO ACCOMMODATE FULL PLATE DEPTH. PROVIDE 24" MIN. LENGTH.
 - MIN. CONC. TIE BEAM REINF. WHEN NOT EMBEDDED IN CONC. COL.:
 8" WIDE BEAM- (2) #5 @ 8" O.C.
 12" WIDE BEAM- (2) #5 @ 8" O.C.
 4 (3) #5 TIES

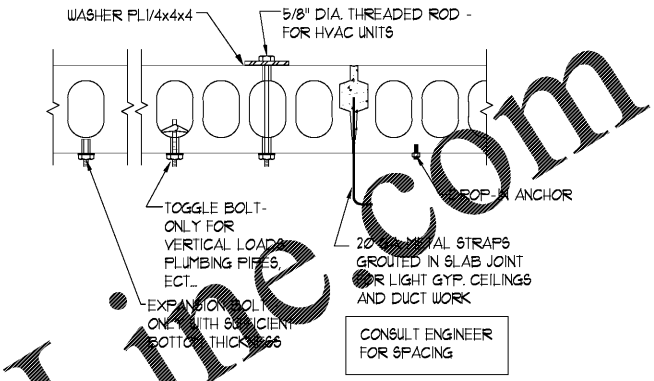


EMBED PLATE SCHEDULE											
BEAM SERIES	MAX REACT. (KPSI)	FRAMING ANGLES		NO. BOLTS	BOLT TYPE	PLATE SIZE (L x W x D)		NO. OF SHEAR STUDS		STUD LENGTH	MIN. EDGE DISTANCE
		A	B			C	D	COLUMNS	ROWS		
WB	29K	(2) L4x4x3/8x6"	2 @ 3" O.C.		A325-N	1/2x10x1"-1"	2 @ 6" O.C.	2 @ 5" O.C.	4	5"	2 1/2"

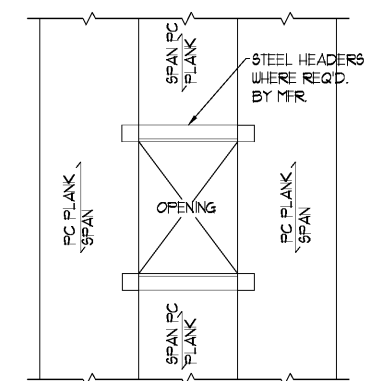
BOLT CLUSTER DETAIL 1



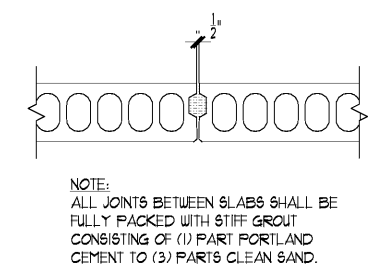
MECH. DUCT OPENING 2



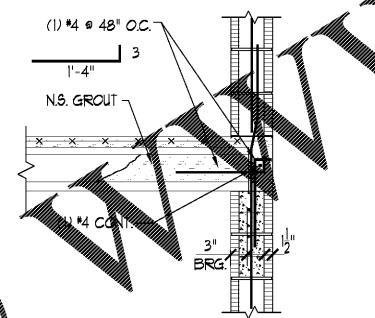
HANGER DETAILS 3



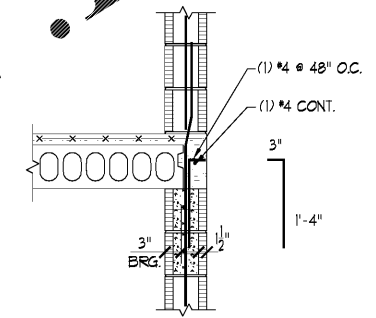
TYP. PRECAST OPENING 4



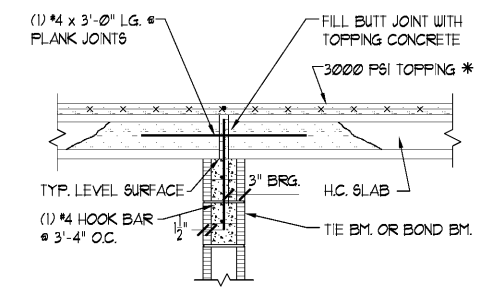
GROUTED KEYWAY TYPICAL 5



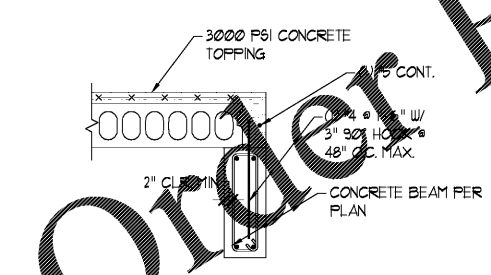
PRECAST BEARING 6



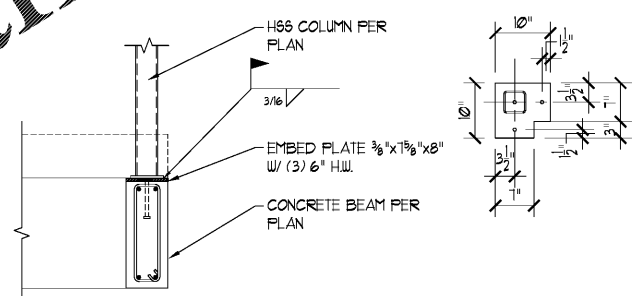
PRECAST BEARING 7



PRECAST BEARING 8



PRECAST BEARING 9



COLUMN POST UP 10

05-25-20 C:\p\h\h\Account\GARCIA\GARCIA19039 - Pasco Fire Station - TOLERANCES 1.dwg

Order Plans @

WWW.LDILINE.COM

Perini
 5755 RIG VEGE DRIVE
 CHERRY HILL, NJ 07717-5872
 Phone: (908) 791-9199
 Fax: (908) 791-9199
 Perini Project No. 19039

FleischmanGarcia
 ENGINEERING ARCHITECTURE
 2511 WOOD PARK AVENUE, SUITE 300
 TAMPA, FLORIDA 33610-1905
 PHONE: (813) 281-4000
 FAX: (813) 281-2000
 REGISTRATION NUMBER: AA 000237

Pasco County Fire & Rescue Station No. 17
 New Port Richey, Florida

THIS DESIGN AND DRAWING IS THE SOLE PROPERTY OF FLEISCHMAN-GARCIA AND SHALL REMAIN THE PROPERTY OF FLEISCHMAN-GARCIA. NO PART OF THIS WORK MAY BE REPRODUCED WITHOUT THE WRITTEN PERMISSION OF FLEISCHMAN-GARCIA.

SYSTEM TO THE BEST OF MY KNOWLEDGE AND BELIEF, ALL DRAWINGS COMPLY WITH ALL RELEVANT BUILDING CODES.

FGA PROJECT NUMBER
19039

ISSUE DATE
05-25-20

SHEET NUMBER
S3.1

HOLLOW CORE DETAILS

S3.1
5/4/11