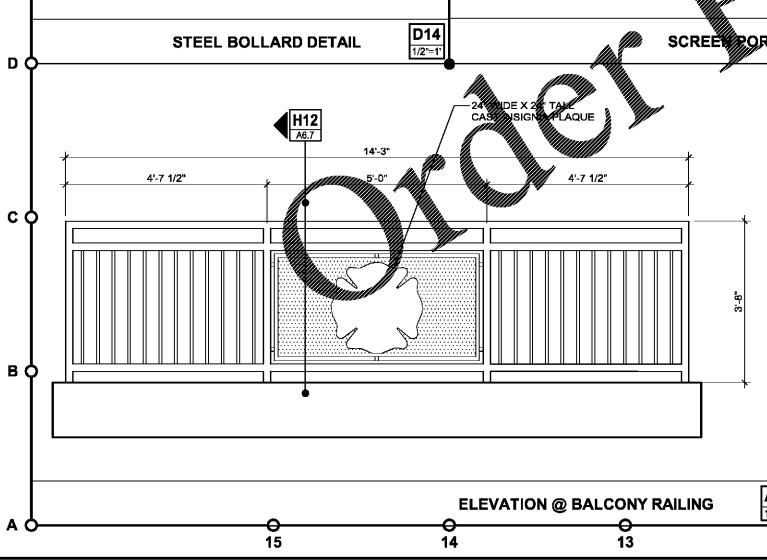
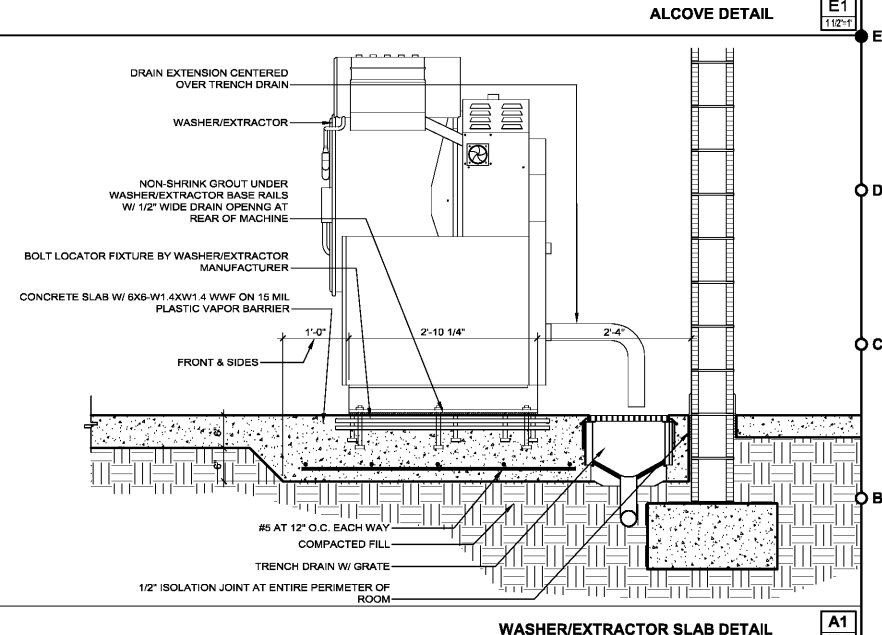
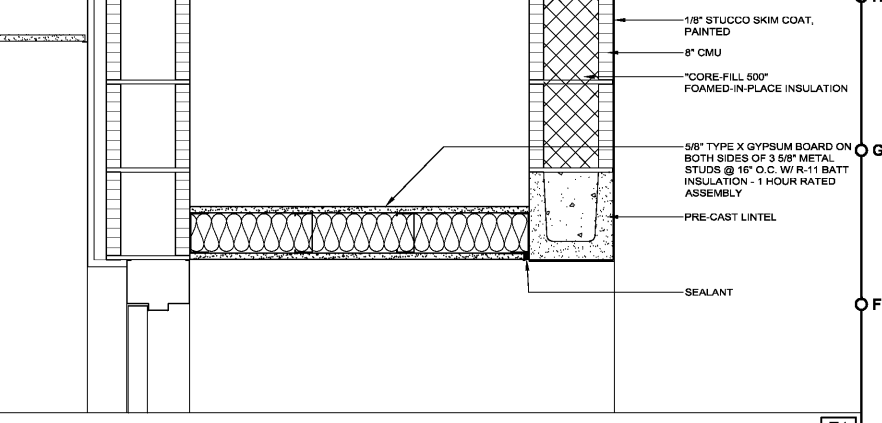
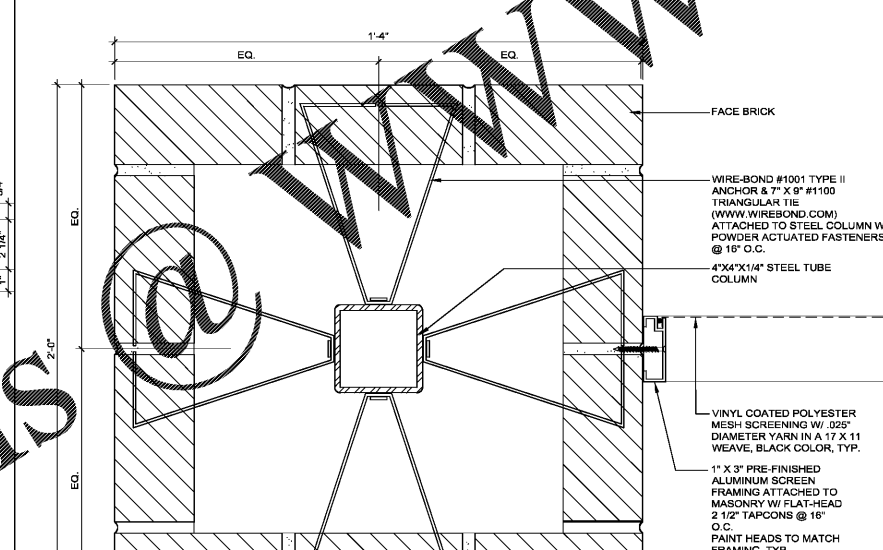
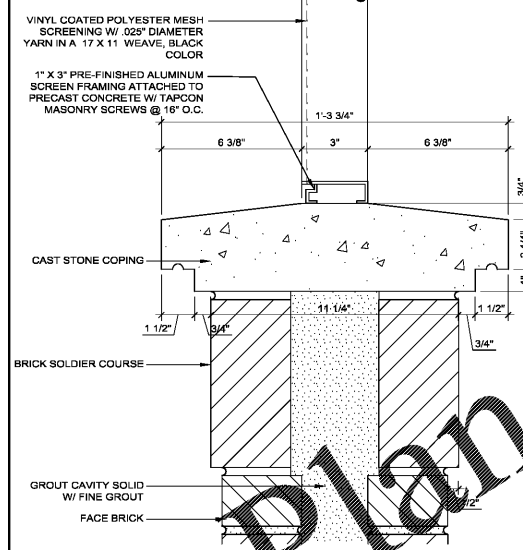
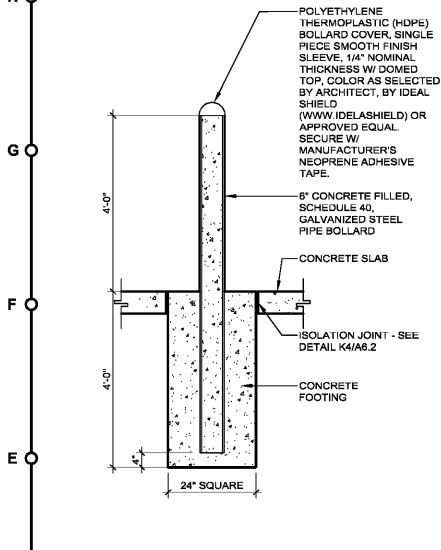
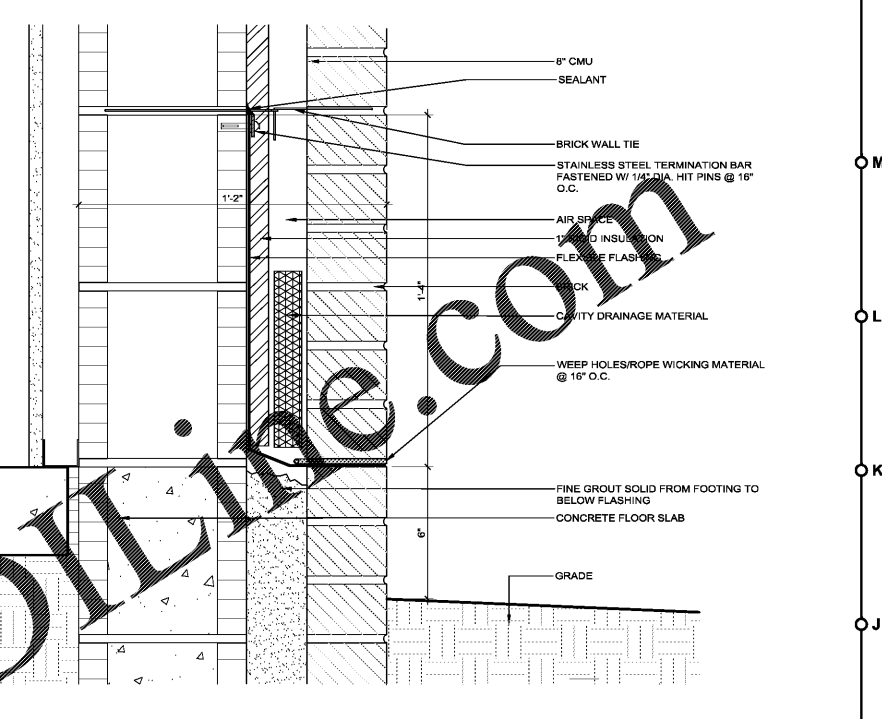
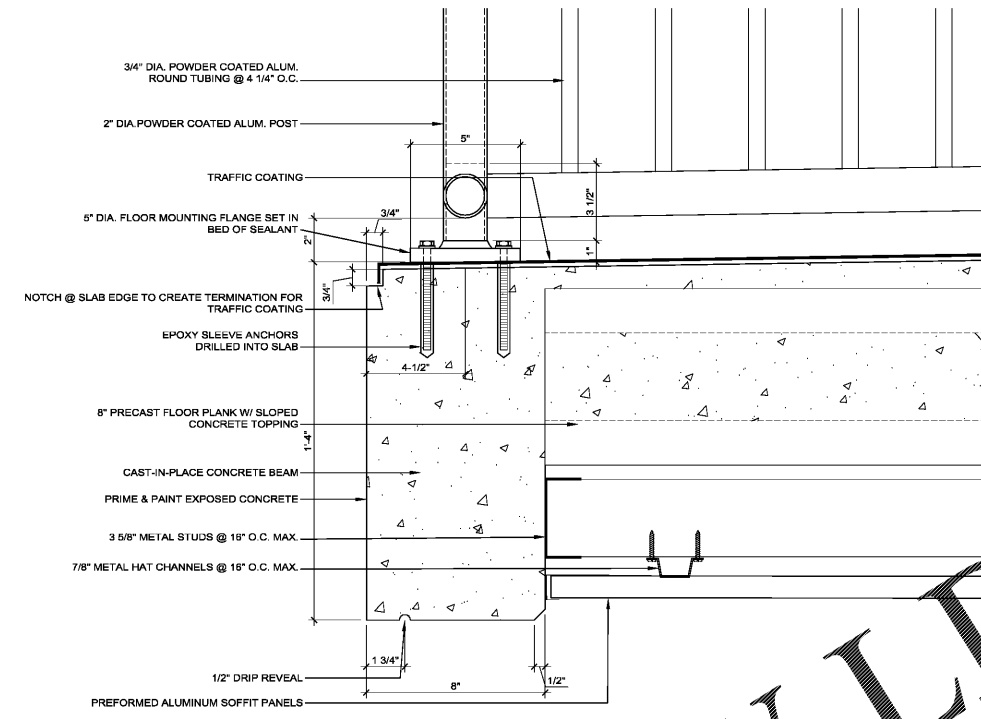
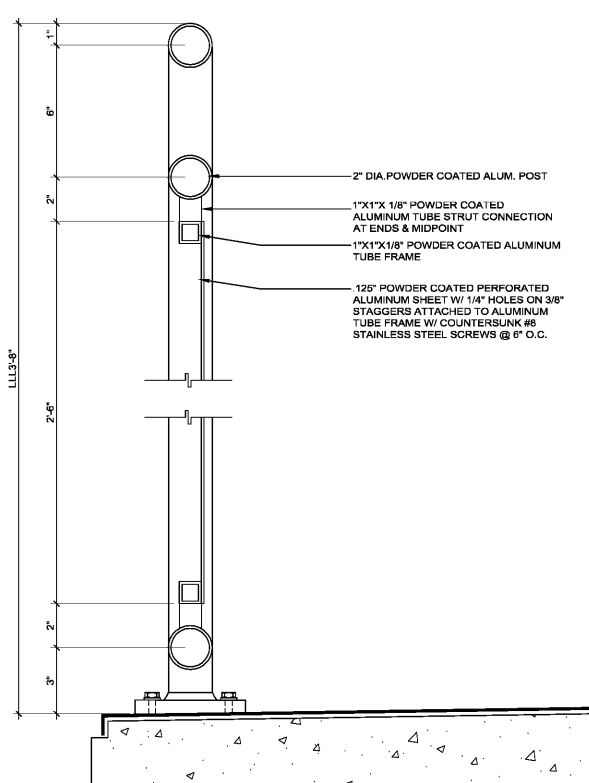
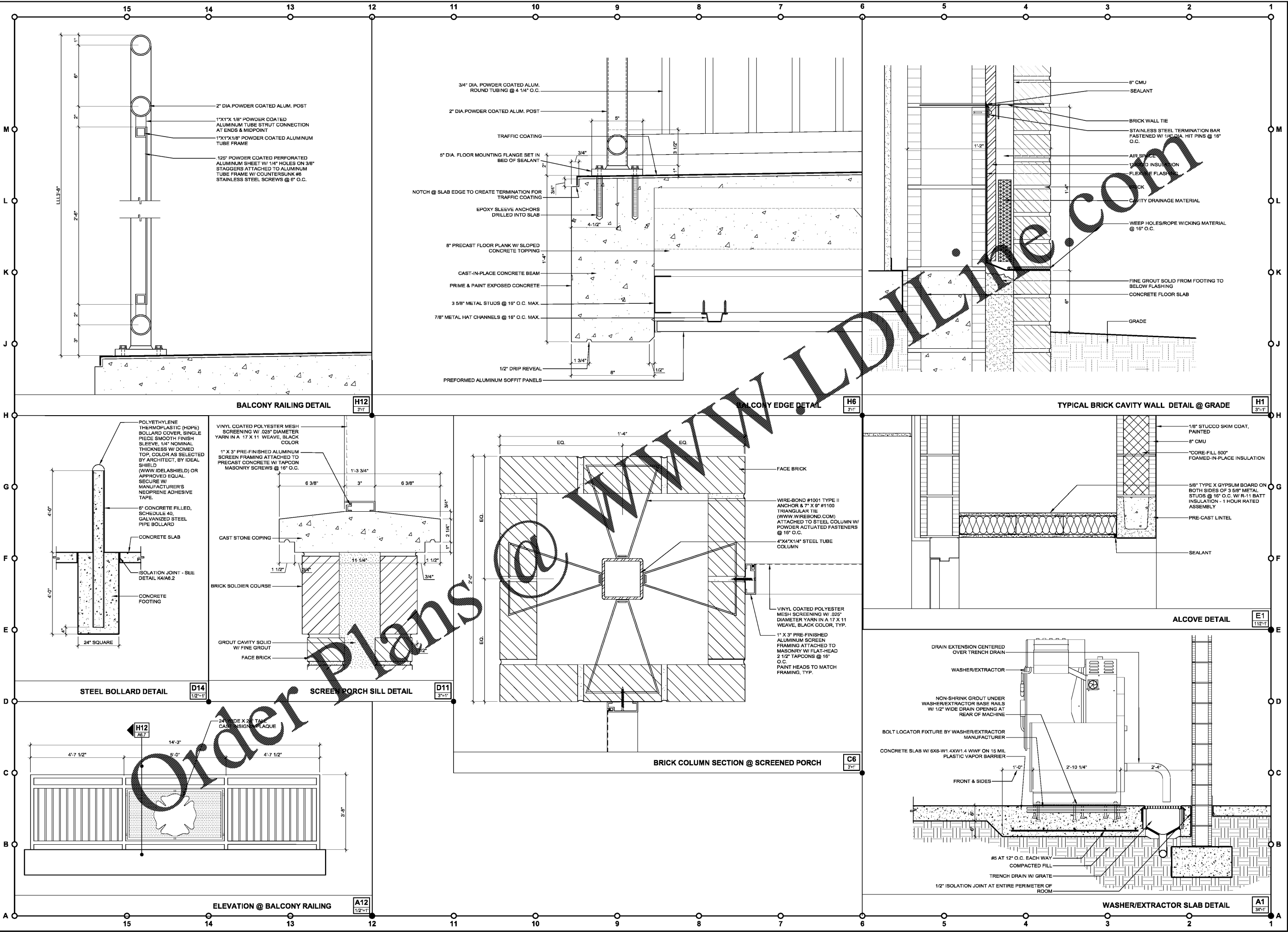


05-18-20 Jeff Rauscher\190319\190319.dwg Project FS 1712.dwg\Drawings\15\_17.dwg



**FleischmanGarcia**  
 ARCHITECTURE • INTERIORS • EXTERIORS • LANDSCAPE ARCHITECTURE  
 1915 SOUTH AVENUE, SUITE 100  
 TAMPA, FLORIDA 33606  
 PHONE (813) 241-9999  
 FAX (813) 241-9999  
 REGISTRATION NUMBER: AA 000021

**Pasco County  
 Fire & Rescue Station  
 No. 17**  
 New Port Richey, Florida

THIS PERSON AND DRAWING IS THE SOLE PROPERTY OF FLEISCHMANGARCIA ARCHITECTURE. NO PART OF THIS WORK MAY BE REPRODUCED WITHOUT THE WRITTEN PERMISSION OF FLEISCHMANGARCIA ARCHITECTURE. ANY REUSE OF THIS WORK WITHOUT THE WRITTEN PERMISSION OF FLEISCHMANGARCIA ARCHITECTURE IS STRICTLY PROHIBITED.

FGA PROJECT NUMBER	19039
ISSUE DATE	05-25-20
REVISIONS	
DATE	
DATE	
DATE	

SHEET NUMBER	A6.7
--------------	------