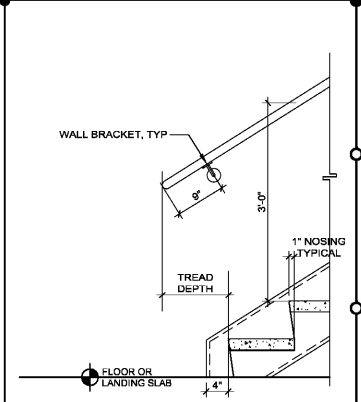
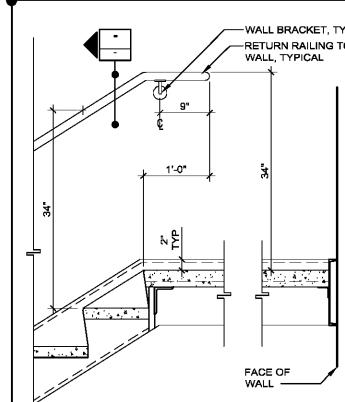
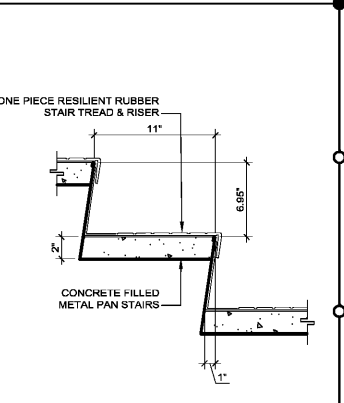
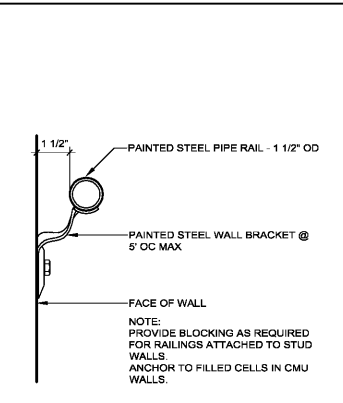
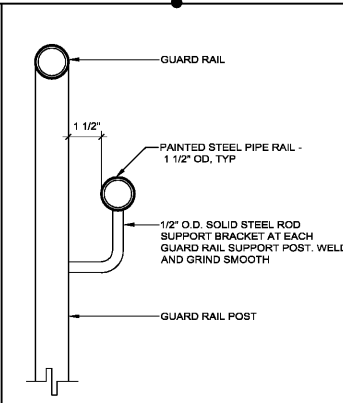
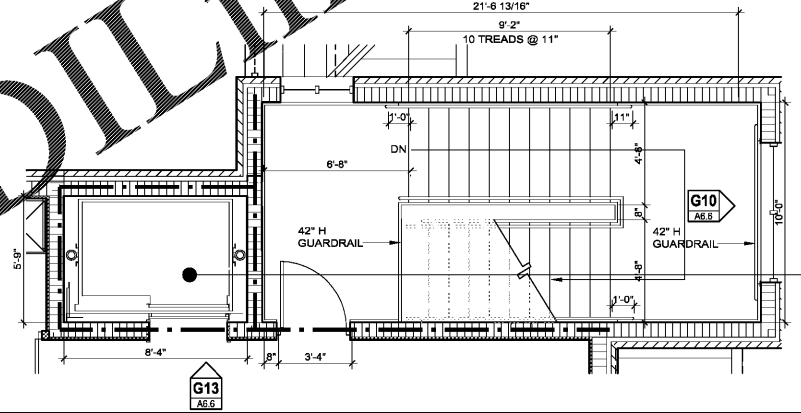
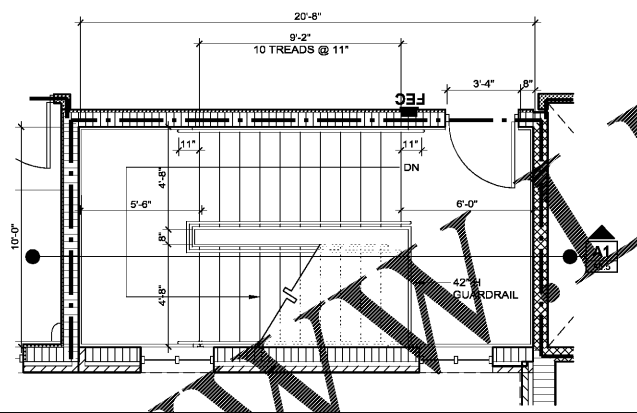
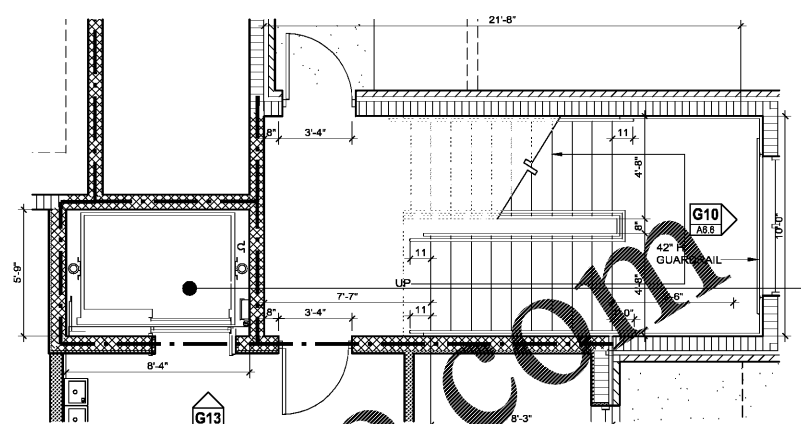
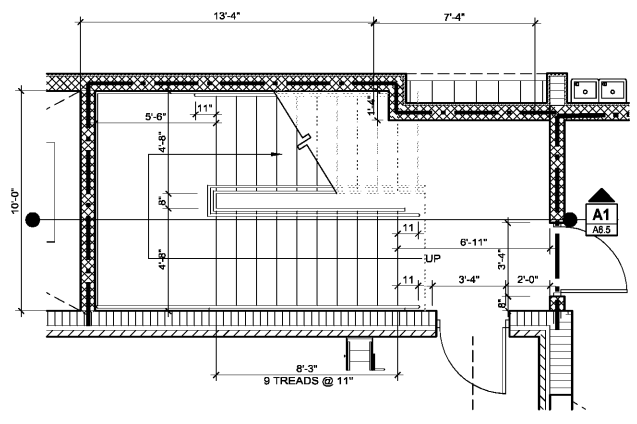
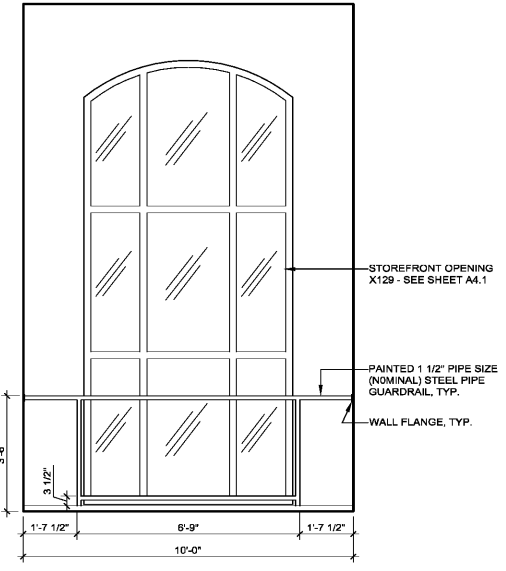
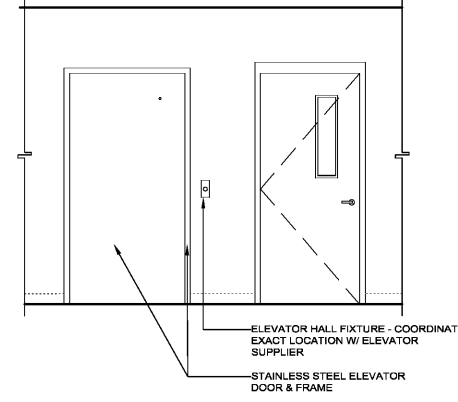


Order Plans @ [www.dilLine.com](http://www.dilLine.com)



**FleischmanGarcia**  
ARCHITECTS  
SAFETY ENGINEERS  
241 HYPER PARK AVENUE, SUITE 100  
TALLAHASSEE, FLORIDA 32310  
PHONE (904) 242-9292  
FAX (904) 242-9293  
REGISTRATION NUMBER: AA 000021

**Pasco County  
Fire & Rescue Station  
No. 17**  
New Port Richey, Florida

THIS PERSON AND DRAWING IS THE SOLE PROPERTY OF FLEISCHMANGARCIA ARCHITECTS. NO PART OF THIS WORK MAY BE REPRODUCED WITHOUT THE WRITTEN CONSENT OF FLEISCHMANGARCIA ARCHITECTS. ANY REUSE OF THIS WORK WITHOUT THE WRITTEN CONSENT OF FLEISCHMANGARCIA ARCHITECTS IS STRICTLY PROHIBITED. ALL RIGHTS RESERVED.

FGA PROJECT NUMBER  
19039

ISSUE DATE  
05-25-20

REVISIONS  
DATE: -  
DATE: -  
DATE: -

SHEET NUMBER  
A6.6