

FleischmanGarcia
 ARCHITECTS
 3510 W. PARK AVENUE, SUITE 300
 TAMPA, FLORIDA 33610
 PHONE (813) 241-4400
 FAX (813) 241-4400
 REGISTRATION NUMBER: AA 0000123

**Pasco County
 Fire & Rescue Station
 No. 17**
 New Port Richey, Florida

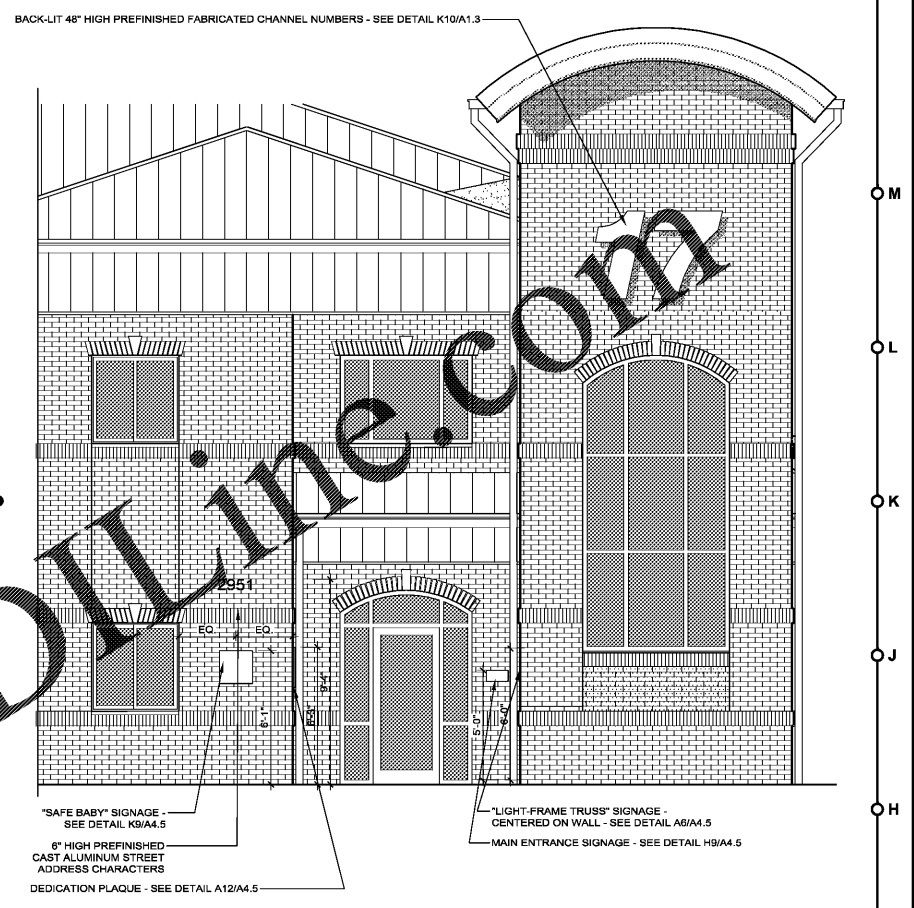
THIS PERSON AND DRAWING IS THE SOLE PROPERTY OF FLEISCHMANGARCIA ARCHITECTS. NO PART OF THIS WORK MAY BE REPRODUCED WITHOUT THE WRITTEN PERMISSION OF FLEISCHMANGARCIA ARCHITECTS.

FGA PROJECT NUMBER
19039

ISSUE DATE
05-25-20

REVISIONS:
 DATE: -
 DATE: -
 DATE: -
 DATE: -

SHEET NUMBER
A4.5

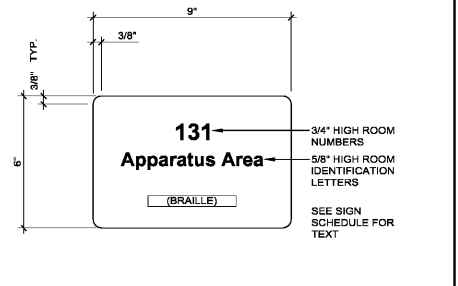


STATION EXTERIOR SIGNAGE ELEVATION DETAIL **G1**

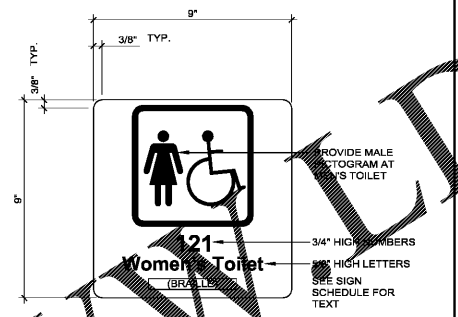
SIGN ID	SIGN PLACEMENT DETAIL	FIRST FLOOR		SECOND FLOOR		SECOND FLOOR	
		SIGN TEXT	ROOM NUMBER ON DWGS	SIGN TEXT	ROOM NUMBER	SIGN TEXT	ROOM NUMBER
101	K12 K6 A4.5 A4.5	APPARATUS AREA	132	123	K12 K6 A4.5 A4.5	DECON	126
102	K12 K6 A4.5 A4.5	STATION OFFICE	103	124	K12 K6 A4.5 A4.5	MECHANICAL	127
103	K12 D6 A4.5 A4.5	PUBLIC RESTROOM	104	125	K12 K6 A4.5 A4.5	TELECOM	128
104	K12 K6 A4.5 A4.5	STAIR 1	105	126	K12 K6 A4.5 A4.5	OUTDOOR STORAGE	129
105	K12 K6 A4.5 A4.5	ELEVATOR	106	127	K12 K6 A4.5 A4.5	ELECTRICAL	130
106	K12 K6 A4.5 A4.5	STORAGE	107	127	K12 K6 A4.5 A4.5	ELECTRICAL	130
107	K12 K6 A4.5 A4.5	STORAGE	108	128	K12 K6 A4.5 A4.5	CARDIO ROOM	111
108	K12 K6 A4.5 A4.5	TRAINING ROOM	109	129	K12 K6 A4.5 A4.5	ELEVATOR MACHINE ROOM	131
109	K12 K6 A4.5 A4.5	JANITOR	110	130	K12 K6 A4.5 A4.5	STAIR 1	105
110	K12 K6 A4.5 A4.5	CARDIO ROOM	111	131	G1 A6 A4.5 A4.5	MAIN ENTRANCE	
111	K12 K6 A4.5 A4.5	EMS STORAGE	112	132	G1 H9 A4.5 A4.5	NOT A PUBLIC ENTRANCE	
112	K12 K6 A4.5 A4.5	STATION STORAGE	113	133	A9 A4.5 A4.5	ALL VISITORS MUST USE FRONT ENTRANCE	
113	K12 K6 A4.5 A4.5	DECON LAUNDRY	116	134	K14 D9 A4.5 A4.5	(SEE DETAIL)	
114	K12 D6 A4.5 A4.5	DECON TOILET	116	135	G1 K9 A4.5 A4.5	(SEE DETAIL)	
115	K12 D6 A4.5 A4.5	DECON TOILET	117	136	G1 A12 A4.5 A4.5	(SEE DETAIL)	
116	K12 D6 A4.5 A4.5	DECON TOILET	118				
117	K12 D6 A4.5 A4.5	DECON TOILET	119				
118	K12 D6 A4.5 A4.5	DECON TOILET	120				
119	K12 K6 A4.5 A4.5	STAIR 2	121				
120	K12 K6 A4.5 A4.5	EXTRACTOR	123				
121	K12 K6 A4.5 A4.5	SCBA	124				
122	K12 K6 A4.5 A4.5	BUNKER GEAR	125				
201	K12 K6 A4.5 A4.5	KITCHEN/DINING/ DAYROOM	201				
202	K12 K6 A4.5 A4.5	JANITOR	202				
203	K12 G6 A4.5 A4.5	MEN'S TOILET	208				
204	K12 G6 A4.5 A4.5	MEN'S TOILET	209				
205	K12 G6 A4.5 A4.5	WOMEN'S TOILET	210				
206	K12 K6 A4.5 A4.5	BUNK 1	211				
207	K12 K6 A4.5 A4.5	BUNK 2	212				
208	K12 K6 A4.5 A4.5	BUNK 3	213				
209	K12 K6 A4.5 A4.5	MECHANICAL	227				
210	K12 K6 A4.5 A4.5	BUNK 4	214				
211	K12 K6 A4.5 A4.5	SUPERVISORS OFFICE	215				
212	K12 K6 A4.5 A4.5	SUPERVISORS OFFICE	217				
213	K12 K6 A4.5 A4.5	BUNK 5	219				
214	K12 K6 A4.5 A4.5	BUNK 6	220				
215	K12 K6 A4.5 A4.5	BUNK 7	221				
216	K12 K6 A4.5 A4.5	BUNK 8	222				
217	K12 K6 A4.5 A4.5	BUNK 9	223				
218	K12 K6 A4.5 A4.5	BUNK 10	224				
219	K12 K6 A4.5 A4.5	FLEX SPACE	225				
220	K12 K6 A4.5 A4.5	LAUNDRY	226				
221	K12 F12 A4.5 A4.5	(SEE DETAIL)					

NOTES:
 A. SIGNS MOUNTED ON WALLS PERPENDICULAR TO DOORS ARE TO BE MOUNTED 12" FROM CORNER OF WALL ADJACENT TO DOOR.
 B. SIGN HEIGHTS INDICATE MOUNTING HEIGHT ABOVE FINISHED FLOOR.

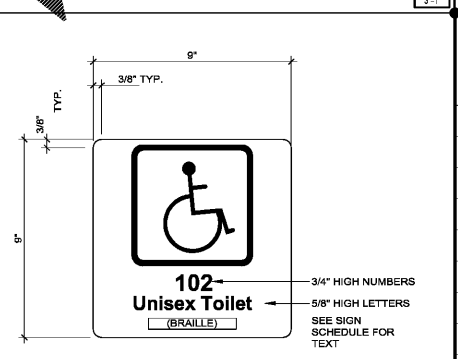
SIGN SCHEDULE **A1**



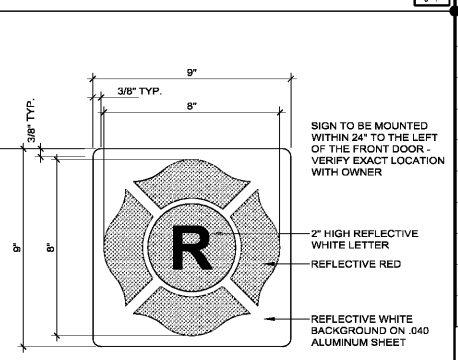
SIGN TYPE ELEVATION **K6**



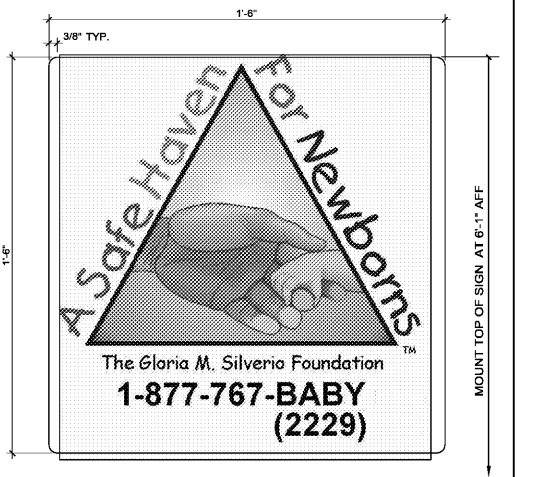
SIGN TYPE ELEVATION **G6**



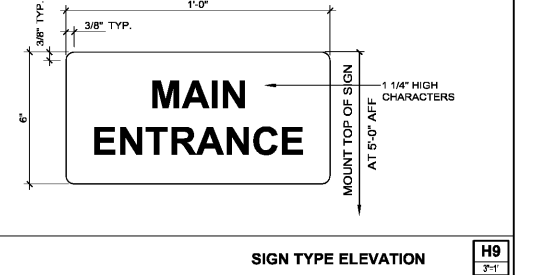
SIGN TYPE ELEVATION **D6**



LIGHT-FRAME TRUSS SIGN ELEVATION **A6**



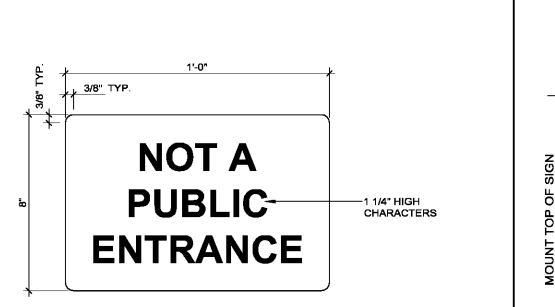
SIGN TYPE ELEVATION **K9**



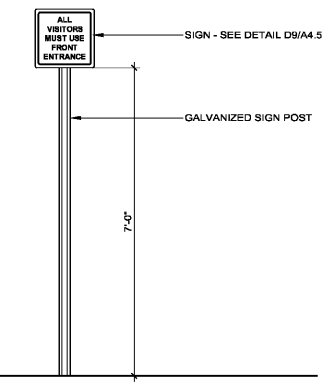
SIGN TYPE ELEVATION **H9**



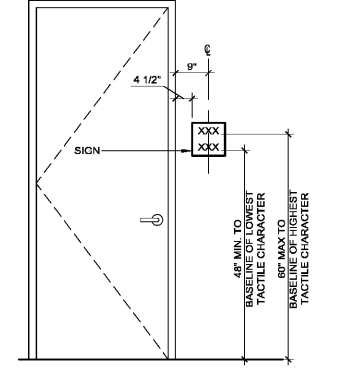
SIGN TYPE ELEVATION **D9**



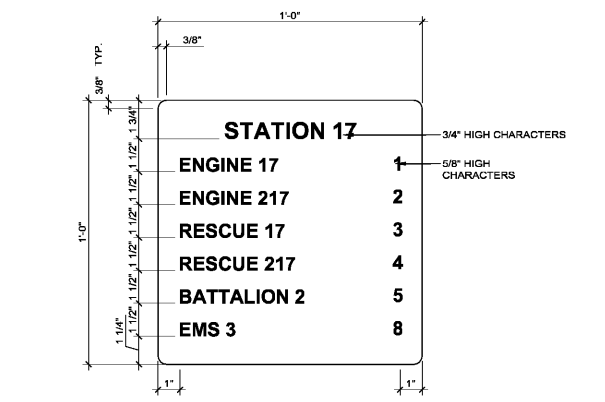
SIGN TYPE ELEVATION **A9**



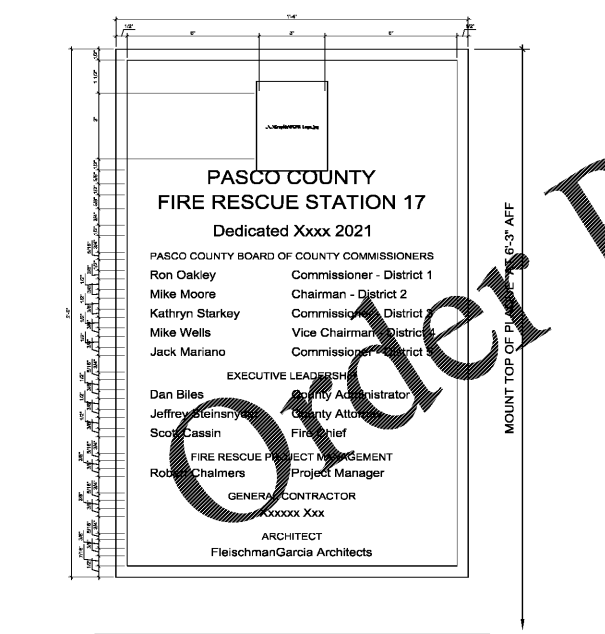
SIGN PLACEMENT ELEVATION **K14**



SIGN PLACEMENT ELEVATION **K12**



CREW SIGN ELEVATION **F12**



DEDICATION PLAQUE DETAIL **A12**

NOTE: VERIFY ALL NAMES AND LAYOUT WITH OWNER PRIOR TO FABRICATION