

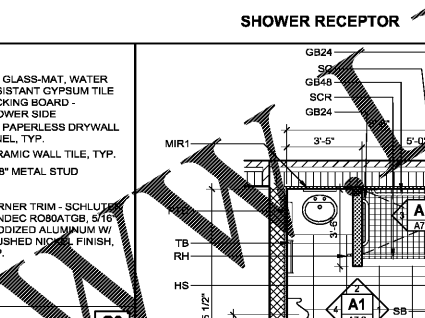
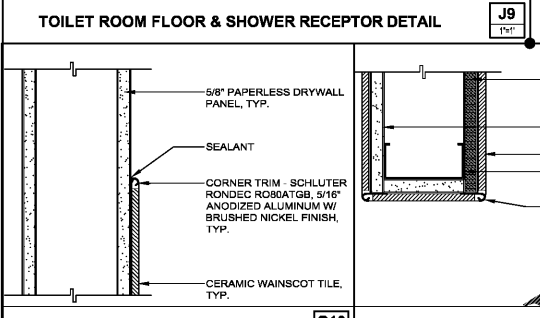
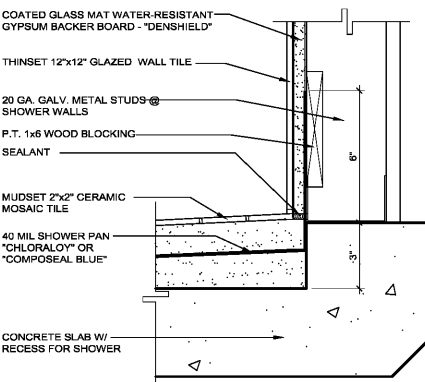
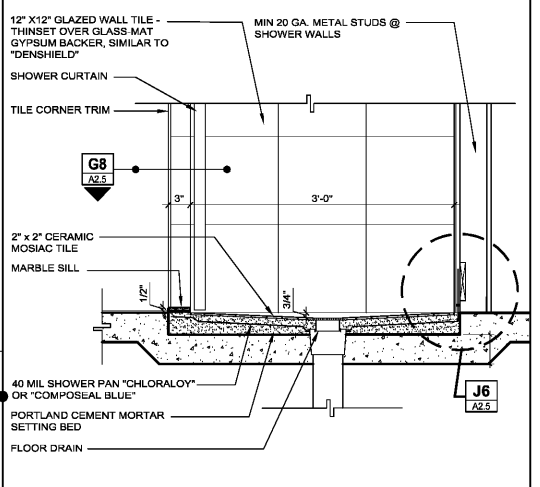
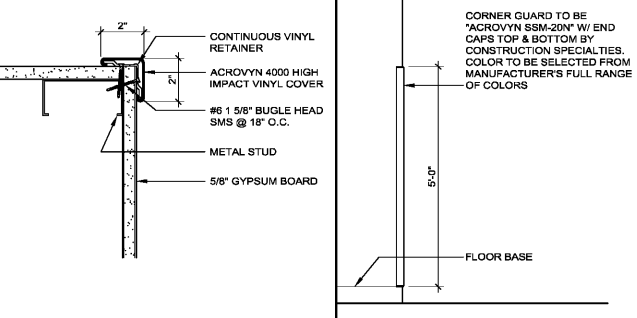
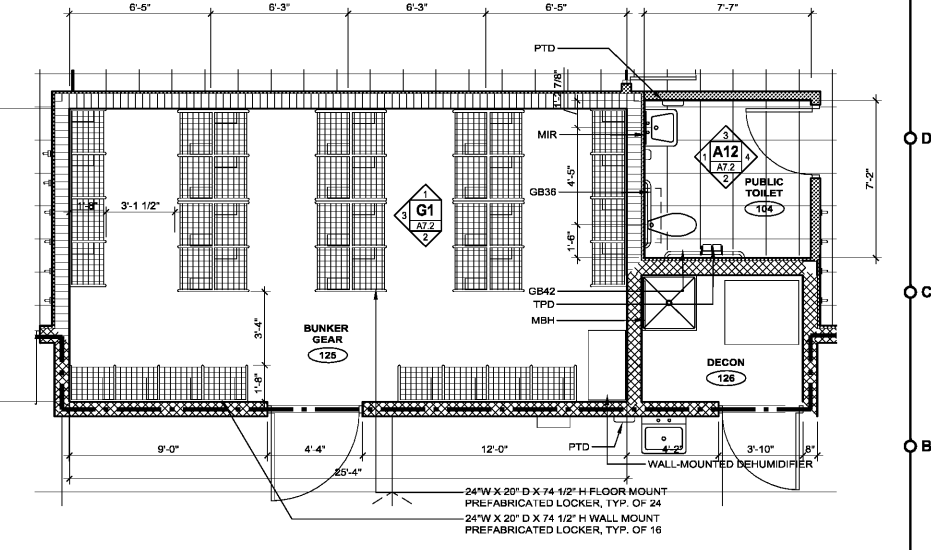
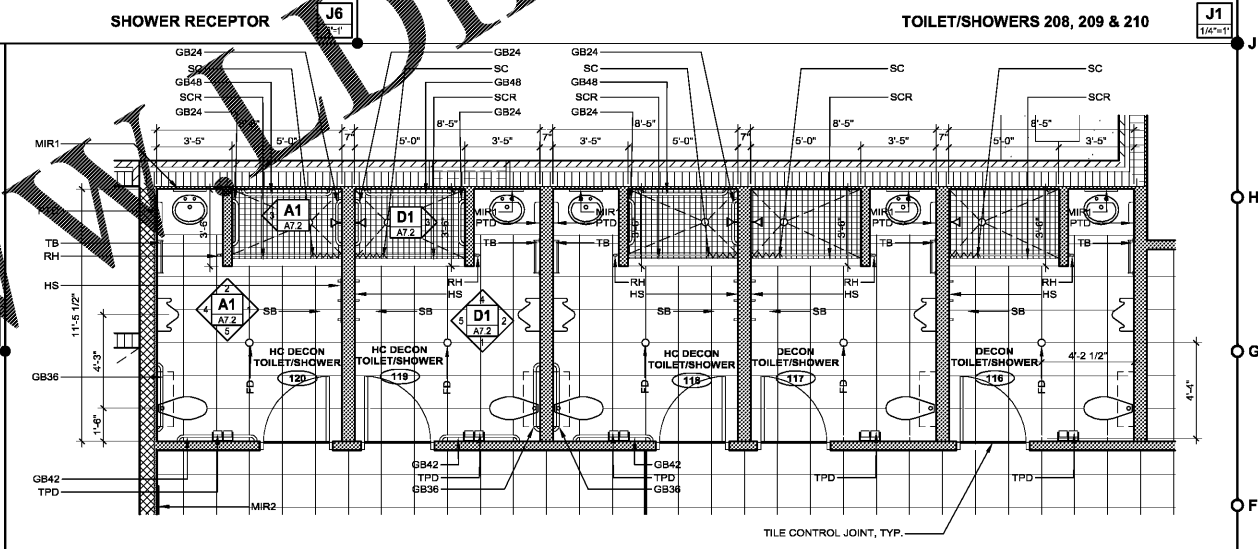
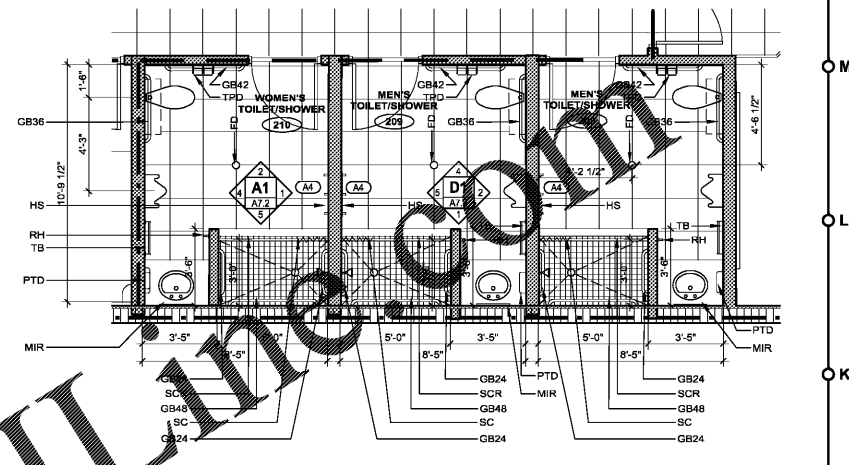
THIS DESIGN AND DRAWING IS THE SOLE PROPERTY OF FLEISCHMANGARCIA ARCHITECTS. NO PART OF THIS WORK MAY BE REPRODUCED OR TRANSMITTED IN ANY FORM OR BY ANY MEANS, ELECTRONIC OR MECHANICAL, WITHOUT THE WRITTEN PERMISSION OF FLEISCHMANGARCIA ARCHITECTS.

**FGA PROJECT NUMBER
 19039**

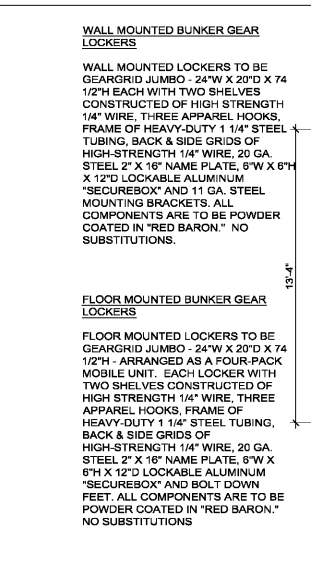
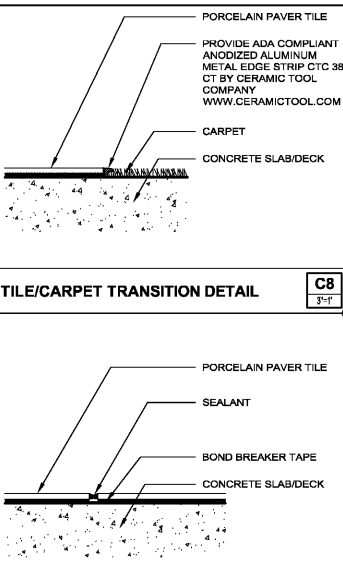
**ISSUE DATE
 05-25-20**

REVISIONS
 DATE: -
 DATE: -
 DATE: -

**SHEET NUMBER
 A2.5**



ITEM	DESCRIPTION
GB36	GRAB BAR 36"
GB42	GRAB BAR 42"
GB24	GRAB BAR 24"
GB48	GRAB BAR 48"
HS	STAINLESS STEEL HOOK STRIP
MBH	MOP AND BROOM HOLDER
MIR1	MIRROR - 18"W x 36"H
MIR2	MIRROR - 24"W x 72"H
PTD	PAPER TOWEL DISPENSER
RH	ROBE HOOK
SC	SHOWER CURTAIN
SCR	SHOWER ROD
TB	TOWEL BAR
TPD	TOILET PAPER DISPENSER
SB	SHOWER BENCH - WESTMINSTER TEAK #18625 "PACIFICA STYL" W/ NATURAL TEAK FINISH



RM NO.	ROOM NAME	FLOOR	BASE	WALL	CEILING	CLG HT	REMARKS
101	LOBBY	PT	PT	PNT	APC-1		
102	VESTIBULE	PT	PT	PNT	APC1	9'-0"	
103	STATION OFFICE	PT	PT	PNT	APC-1		
104	PUBLIC TOILET	PT	CT	CT/EP	EP	8'-0"	
105	STAIR 1	RFT	RES	PNT	APC1	VARIES	
106	ELEVATOR	RFT	NR	NR	NR	8'-0"	
107	CORRIDOR 1	PT	PT	PNT	APC-1	9'-0"	
107	STORAGE	PT	PT	PNT	APC-1	9'-0"	
108	STORAGE	CPT1	RES	PNT	APC1	9'-0"	
109	TRAINING ROOM	CPT	RES	PNT	APC-1	9'-0"	
110	JANITOR	PT	PT	EP	APC-1	9'-0"	
111	CARDIO ROOM	CPT-1	RES	PNT	APC-1	9'-0"	
112	EMS STORAGE	PT	PT	PNT	APC-1	9'-0"	
113	STATION STORAGE	PT	PT	PNT	APC-1	9'-0"	
114	WARM ZONE	PT	PT	EP	RP	9'-0"	
115	DECON LAUNDRY	PT	PT	EP	APC-1	9'-0"	
116	DECON TOILET/SHOWER	PT	CT	EP/CT	EP	8'-0"	
117	DECON TOILET/SHOWER	PT	CT	EP/CT	EP	8'-0"	
118	HC DECON TOILET/SHOWER	PT	CT	EP/CT	EP	8'-0"	
119	HC DECON TOILET/SHOWER	PT	CT	EP/CT	EP	8'-0"	
120	HC DECON TOILET/SHOWER	PT	CT	EP/CT	EP	8'-0"	
121	STAIR 2	RFT	RES	PNT	APC-1	VARIES	
123	EXTRACTOR	ICC-2/PDC	NR	EP	EP	9'-0"	
124	SCBA	ICC-2/PDC	NR	EP	EP	9'-0"	
125	BUNKER GEAR	ICC-2	NR	EP	EP	9'-0"	
128	DECON	ICC-2/PDC	NR	EP	EP	9'-0"	
127	MECHANICAL	ICC-1/PDC	NR	PNT	PS	VARIES	
128	TELECOM	ICC-1/PDC	NR	PNT	PNT	9'-0"	
129	OUTDOOR STORAGE	ICC-1/PDC	NR	PNT	PS	VARIES	
130	ELECTRICAL	ICC-1/PDC	NR	EP	PS	VARIES	
131	ELEVATOR MACHINE	ICC-1/PDC	NR	EP	PS	VARIES	
132	APPARATUS BAYS	ICC-2	NR	EP	PNT	21'-3 3/8"	
201	DAY ROOM	CPT/PT	RES/PT	PNT/SLT	APC	9'-0"	
202	KITCHEN/DINING	PT	PT	PNT	APC-1/APC-2	9'-0"	
203	PANTRY 1	PT	PT	PNT	PNT	8'-0"	
204	PANTRY 2	PT	PT	PNT	PNT	8'-0"	
205	PANTRY 3	PT	PT	PNT	PNT	8'-0"	
206	SERVICE PANTRY	PT	PT	PNT	APC-1	9'-0"	
207	CORRIDOR 2	PT	PT	PNT	APC-1	9'-0"	
208	MEN'S TOILET/SHOWER	PT	CT	EP/CT	EP	8'-0"	
209	MEN'S TOILET/SHOWER	PT	CT	EP/CT	EP	8'-0"	
210	WOMEN'S TOILET/SHOWER	PT	CT	EP/CT	EP	8'-0"	
211	BUNK 1	CPT-2	CT	PNT	APC-1	9'-0"	
212	BUNK 2	CPT-2	RES	PNT	APC-1	9'-0"	
213	BUNK 3	CPT-2	RES	PNT	APC-1	9'-0"	
214	BUNK 4	CPT-2	RES	PNT	APC-1	9'-0"	
215	SUPERVISORS' OFFICE	CPT-2	RES	PNT	APC1	9'-0"	
216	SUPERVISORS' BUNK	CPT-2	RES	PNT	APC1	9'-0"	
217	SUPERVISORS' OFFICE	CPT-2	RES	PNT	APC1	9'-0"	
218	SUPERVISORS' BUNK	CPT-2	RES	PNT	APC2	9'-0"	
219	BUNK 5	CPT-2	RES	PNT	APC-1	9'-0"	
220	BUNK 6	CPT-2	RES	PNT	APC-1	9'-0"	
221	BUNK 7	CPT-2	RES	PNT	APC-1	9'-0"	
222	BUNK 8	CPT-2	RES	PNT	APC-1	9'-0"	
223	BUNK 9	CPT-2	RES	PNT	APC-1	9'-0"	
224	BUNK 10	CPT-2	RES	PNT	APC-1	9'-0"	
225	FLEX SPACE	PT	PT	PNT	APC-1	9'-0"	
226	LAUNDRY	PT	PT	EP	APC-1	9'-0"	
227	JANITOR	PT	RES	PNT	APC-1	9'-0"	
227	MECHANICAL	PT	RES	PNT	PNT	9'-0"	
229	SCREEN PORCH	PT	PT	PNT	ALUM	9'-0"	
230	BALCONY	ICC-1/PDC	NR	PNT	-	-	

GENERAL FINISH NOTES:
 A. REFER TO WALL LEGEND, PLANS & OR SECTIONS FOR FINISH SUBSTRATE.
 B. WHERE 2 OR MORE FINISHES ARE SCHEDULED, SEE FLOOR PLAN, REFLECTED CEILING PLAN, OR INTERIOR ELEVATIONS FOR EXTENTS.
 C. WHERE 2 OR MORE CEILING HEIGHTS ARE SCHEDULED, SEE REFLECTED CEILING PLAN.
 D. ONLY FINISH NON PRE-FINISHED ITEMS.
 E. CEILING HEIGHTS INDICATE HEIGHT FROM FINISHED FLOOR.

LEGEND:
 ALUM ALUMINUM
 APC1 ACOUSTIC PANEL CEILING 1
 APC2 ACOUSTIC PANEL CEILING 2
 CPT-1 CARPET TILE, PATTERN 1
 CPT-2 CARPET TILE, PATTERN 2
 CT CERAMIC TILE
 EP EPOXY PAINT
 ICC-1 INTEGRALLY COLORED CONCRETE - COLOR 1
 ICC-2 INTEGRALLY COLORED CONCRETE - COLOR 2

ICPC-1 INTEGRALLY COLORED POLISHED CONCRETE - COLOR 1
 ICPC-2 INTEGRALLY COLORED POLISHED CONCRETE - COLOR 2
 NR NONE REQUIRED
 PDC POLYURETHANE DECK COATING
 PNT PAINT
 PT PORCELAIN TILE
 RES RESILIENT BASE
 RFT RUBBER FLOORING TILE

ROOM FINISH SCHEDULE	TOILET ACCESSORIES SCHEDULE	FLOOR TILE CONTROL JOINT
A12 N/A	D10 N/A	AB 3'-0"