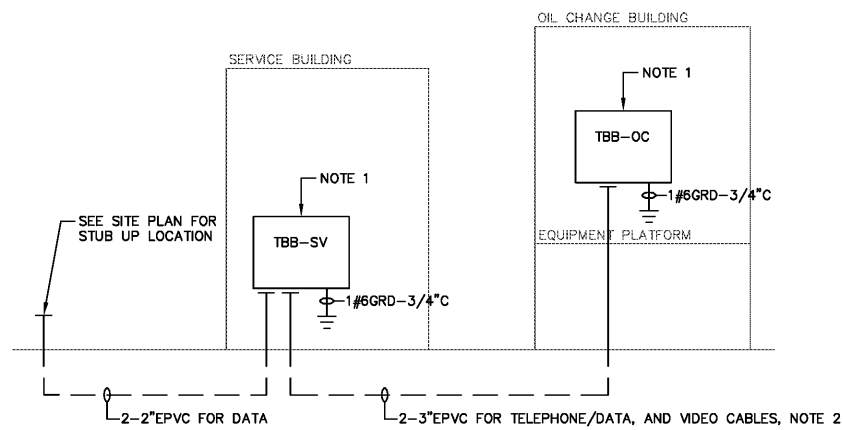
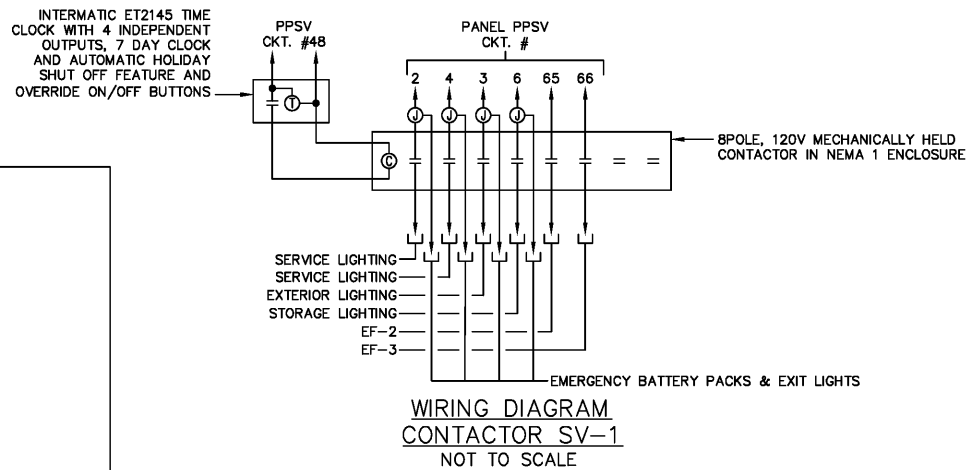


NOTES:

- 48"x48" FREE STANDING TELEPHONE BACKBOARD. PROVIDE ACCESS AS REQUIRED BY CLEAR COM.
- CONDUIT ELBOWS SHALL BE SWEEPING WITH NO HARD ANGLES.



SINGLE LINE DIAGRAM
AUXILIARY
NOT TO SCALE



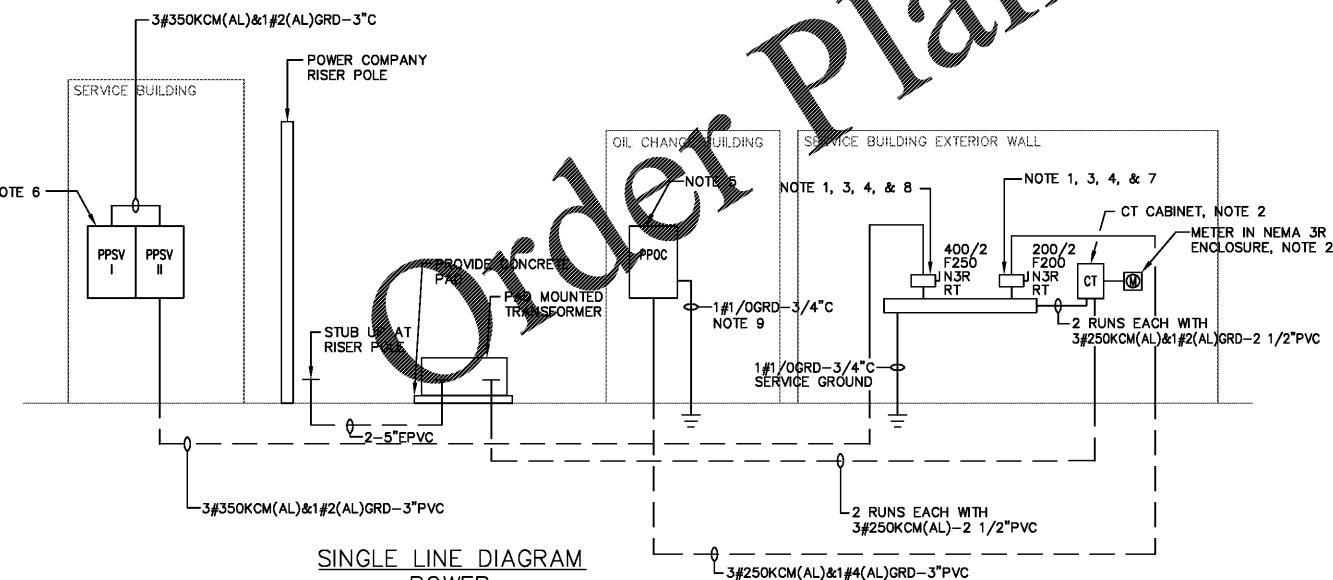
WIRING DIAGRAM
CONTACTOR SV-1
NOT TO SCALE



ARC FLASH HAZARD WARNING LABEL
NOT TO SCALE

GENERAL NOTES:

- COORDINATE SECONDARY SERVICE REQUIREMENTS WITH POWER COMPANY BEFORE BID. PROVIDE PER POWER COMPANY REQUIREMENTS.
- EQUIPMENT WITH ALUMINUM FEEDERS SHALL BE PROVIDED WITH DUAL RATED TERMINALS.
- DISCONNECT SWITCH, NEMA 3R ENCLOSURE.
- COORDINATE METERING WITH POWER COMPANY BEFORE ROUGHING IN.
- SERVICE DISCONNECTS SHALL BE MOUNTED SUCH THAT CENTER OF OPERATING HANDLE SHALL NOT BE LESS THAN 4' AND NOT MORE THAN 6'-7" ABOVE GRADE.
- PROVIDE ENGRAVED LABEL INDICATING MAXIMUM AVAILABLE FAULT CURRENT AND DATE OF CALCULATION. SEE DETAIL ON SHEET SV-E103.
- PROVIDE LABEL INDICATING LOCATION OF SERVICE DISCONNECT #1 FROM SERVICE DISCONNECT #1, LOCATED AT EXTERIOR OF OIL CHANGE BUILDING.
- PROVIDE LABEL INDICATING LOCATION OF SERVICE DISCONNECT #2 FROM SERVICE DISCONNECT #2, LOCATED AT EXTERIOR OF SERVICE BUILDING.
- PROVIDE LABEL "SERVICE DISCONNECT SWITCH #1 FOR OIL CHANGE BUILDING."
- PROVIDE LABEL "SERVICE DISCONNECT SWITCH #2 FOR SERVICE BUILDING."
- GROUND TO EQUIPMENT GROUND BUS BAR ONLY. DO NOT GROUND NEUTRAL.



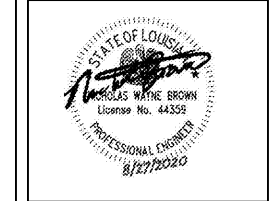
SINGLE LINE DIAGRAM
POWER
NOT TO SCALE

PANEL LOAD SUMMARY														
Panel PPSV (SECTION I)	Equipment	LIGHT	RCPT	OM	CB SIZE	CIRCUIT #	PHASE A	PHASE B	CIRCUIT #	CB SIZE	LIGHT	RCPT	OM	Equipment
	SPARE				201	1	380		22	60/2			3360	AIR COMPRESSOR #1
	SERVICE LIGHTING	500			201	2	480	380	23	201			3360	TOILET RECEPTAC
	EXTERIOR LIGHTING	300			201	3	480	800	24	201			196	SPARE
	SERVICE LIGHTING	500			201	4	480	800	25	201			300	SERVICE RECEPT
	SERVICE RECEPT		400		201 (GR)	5	750		26	201			1600	SERVICE RECEPT
	STORAGE LIGHTING	400			201	6	750	1400	27	201 (GR)			1600	SERVICE RECEPT
	ALIGNMENT CONTROL RECEPT		200		201 (GR)	7	740		28	201 (GR)			540	SERVICE RECEPT
	SERVICE DESK RECEPT		200		201 (GR)	8	400		29	201 (GR)			200	BRAKE LATHE RECEPT
	SERVICE STORAGE RECEPT		800		201 (GR)	9	1200		30	201 (GR)			1200	WHEEL BALANCER
	TBB-SV RECEPTACLE		400		201 (GR)	10	1600		31	201			1200	LIFT RECEPT
	ALIGNMENT LIFT			3300	50/2	11	3000	3000	32	201 (GR)			600	LIFT RECEPT
	10K LIFT			1440	20/2	13	2800	3000	33	201 (GR)			1440	10K LIFT
	10K LIFT			1440	20/2	14	1640	2800	34	201			200	LIFTING ROLLER
	10K LIFT			1440	20/2	15	1640	1440	35	201			1500	SPARE
	10K LIFT			1440	20/2	16	2340		36	201			1500	ALIGNMENT CONTROLLER
	TIRE CHANGER			500	20/2	17	1100		37	201			2250	BWH-1
	SPARE			500	20/2	18	1100		38	201			2250	Sub-Total
	Sub-Total	1700	2000	16400		21	2750	21400	47					19900

PANEL LOAD SUMMARY														
Panel PPSV (SECTION II)	Equipment	LIGHT	RCPT	OM	CB SIZE	CIRCUIT #	PHASE A	PHASE B	CIRCUIT #	CB SIZE	LIGHT	RCPT	OM	Equipment
	AIR COMPRESSOR #2			3360	50/2	43	3400		61	201			40	EF-1
	SPARE			3360	50/2	44	4250		62	201			504	EF-2
	SPARE			217	201	45	964		66	201			504	EF-3
	SPARE			217	201	46	1981		67	201			504	EF-4
	CONTACTOR SV-1			100	201	47	0		68	201			400	RETRACTABLE REEL
	SPARE			201	201	48	0		70	201				SPARE
	SPARE			201	201	49	0		71	50/1				SPARE
	SPARE			201	201	50	0		72	50/1				SPARE
	SPARE			201	201	51	0		73	50/1				SPARE
	SPARE			201	201	52	0		74	50/1				SPARE
	SPARE			201	201	53	0		75	50/1				SPARE
	SPARE			201	201	54	0		76	50/1				SPARE
	SPARE			201	201	55	0		77	50/1				SPARE
	SPARE			201	201	56	0		78	50/1				SPARE
	SPARE			201	201	57	0		79	50/1				SPARE
	SPARE			201	201	58	0		80	50/1				SPARE
	SPARE			201	201	59	0		81	50/1				SPARE
	SPARE			201	201	60	0		82	50/1				SPARE
	SPARE			201	201	61	0		83	50/1				SPARE
	SPARE			201	201	62	0		84	50/1				SPARE
	Sub-Total	0	0	7317			4254	5400			0	400	2632	Sub-Total

EQUIPMENT ELECTRICAL REQUIREMENTS SCHEDULE									
EQUIPMENT	LOCATION	KW	HP	AMP	CIRCUIT BREAKER	DISCONNECT SWITCH/FUSE	CONDUCTORS & CONDUIT	VOLTAGE	CONNECTION
(3) 10K LIFT	SERVICE 1	-	2	12.0	20/2	30/2, F20	2#12&1#12GRD-3/4"C	240V,1#	HARDWIRED
12K LIFT	SERVICE 1	-	2	12.0	20/2	30/2, F20	2#12&1#12GRD-3/4"C	240V,1#	HARDWIRED
(2)AIR COMPRESSOR	STORAGE 2	-	5	28.0	60/2	60/2, F40	2#8&1#10GRD-3/4"C	240V,1#	HARDWIRED
TIRE CHANGER	SERVICE 1	-	-	6.0	20/2	-	2#12&1#12GRD-3/4"C	240V,1#	NEMA 6-20R
WHEEL BALANCER	SERVICE 1	-	-	20.0	20/2	-	2#12&1#12GRD-3/4"C	240V,1#	NEMA 6-20R
BRAKE LATHE	SERVICE 1	-	1	15.0	20/1	-	2#12&1#12GRD-3/4"C	120V	NEMA 5-20R
ALIGNMENT LIFT	SERVICE 1	-	-	26.0	30/2	30/2, F30	2#10&1#10GRD-3/4"C	240V,1#	HARDWIRED

- NOTES:
- CONTRACTOR SHALL COORDINATE REQUIREMENTS SHOWN HERE WITH OWNER BEFORE ROUGHING IN. PROVIDE ELECTRICAL PER OWNER EQUIPMENT VENDOR REQUIREMENTS.



Express Oil Change & Tire Engineers
Service Building (Hurricane)
2265 O'Neal Lane
Baton Rouge, LA 70816

FINAL

No.	Description	Date
1		

© 2020 Aho Architects, LLC. All Rights Reserved.

Single Line Diagram & Panelboard Schedules

Project number	20025
Date	08/27/2020
Drawn by	TH
Checked by	NB

SV-E102

Scale: NO SCALE

