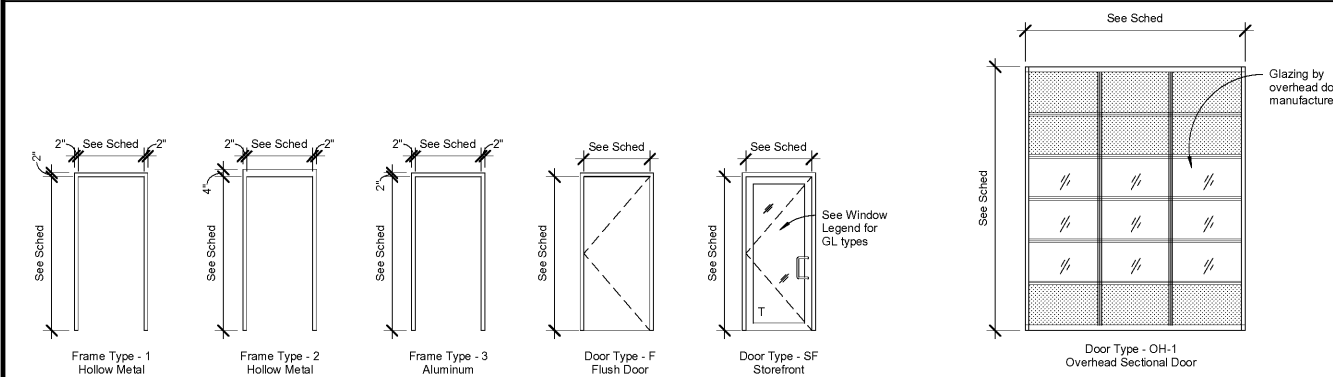


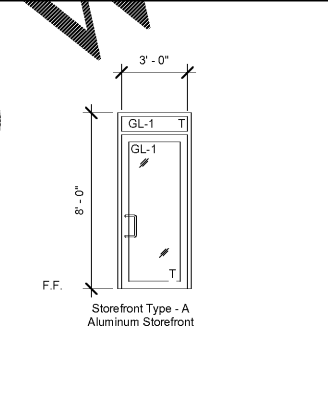
Number	Door			Frame			Glass	UL Label	Notes		
	Width	Height	Thickness	Door Type	Door Material	Door Finish				Frame Type	Frame Material
1	3'-0"	7'-0"	1 3/4"	SF	ALUM / GL	Clear Anodized	3	ALUM	Clear Anodized	Tempered	If req'd by the Fire Marshal or AHJ, add lettering that reads "This door must remain unlocked when business is occupied."
2	10'-0"	12'-0"	2 1/8"	OH-1	STEEL / GL	Factory Finish	N/A	STEEL	N/A		
3	10'-0"	12'-0"	2 1/8"	OH-1	STEEL / GL	Factory Finish	N/A	STEEL	N/A		
4	10'-0"	12'-0"	2 1/8"	OH-1	STEEL / GL	Factory Finish	N/A	STEEL	N/A		
5	10'-0"	12'-0"	2 1/8"	OH-1	STEEL / GL	Factory Finish	N/A	STEEL	N/A		
6	10'-0"	12'-0"	2 1/8"	OH-1	STEEL / GL	Factory Finish	N/A	STEEL	N/A		
7	4'-0"	7'-0"	1 3/4"	F	HM	Painted	2	HM	Painted	N/A	
8	3'-0"	7'-0"	1 3/4"	F	HM	Painted	2	HM	Painted	N/A	
9	3'-0"	7'-0"	1 3/4"	F	HM	Painted	1	HM	Painted	N/A	
10	3'-0"	7'-0"	1 3/4"	F	HM	Painted	2	HM	Painted	N/A	

DOOR AND FRAME LEGEND



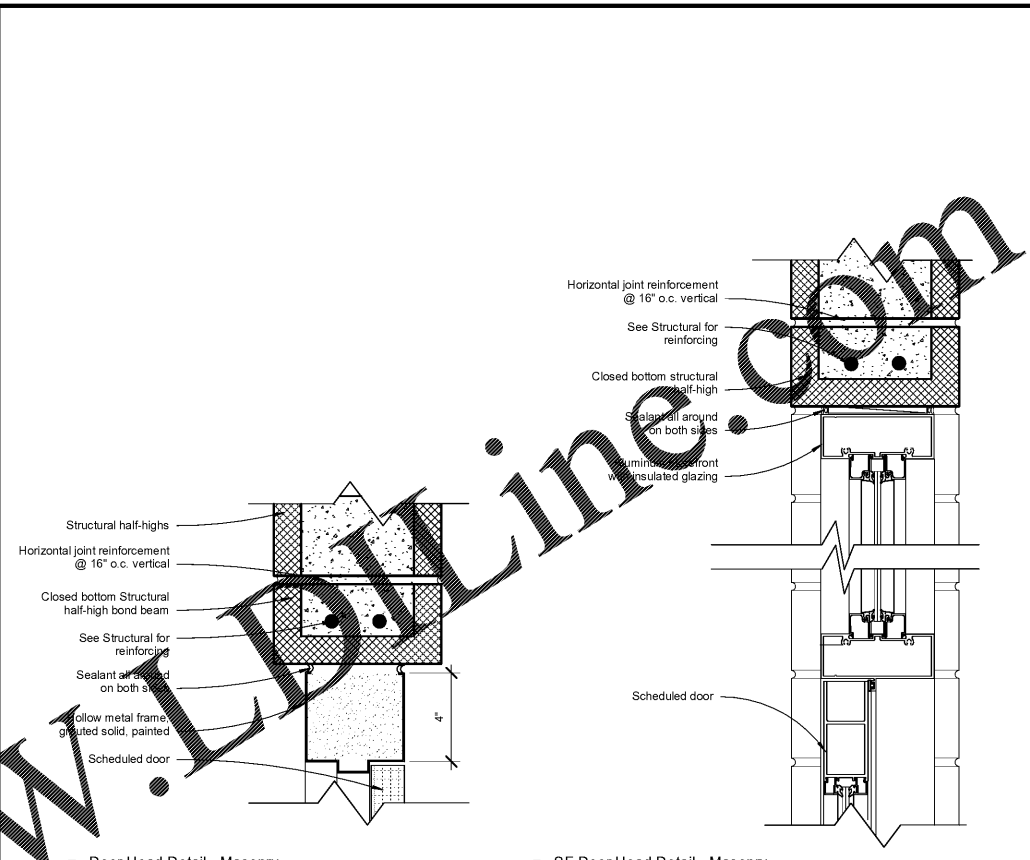
Material Schedule							
Abbreviation	Material Description	Manufacturer	Style Name or Number	Color (Description)	Size	Finish	Material Notes
P-1	Paint - Color 1	Sherwin Williams	See Paint Schedule on G202	SW 6966 Blueblood	N/A	See Paint Schedule on G202	
P-2	Paint - Color 2	Sherwin Williams	See Paint Schedule on G202	Custom Color Dover Gray	N/A	See Paint Schedule on G202	
P-3	Paint - Color 3	Sherwin Williams	See Paint Schedule on G202	SW 7669 Summit Gray	N/A	See Paint Schedule on G202	
P-4	Paint - Color 4	Sherwin Williams	See Paint Schedule on G202	SW 6959 Blue Chip	N/A	See Paint Schedule on G202	
P-5	Paint - Color 5	Sherwin Williams	See Paint Schedule on G202	Safety Yellow	N/A	See Paint Schedule on G202	
P-6	Paint - Color 6	Sherwin Williams	See Paint Schedule on G202	Safety Red	N/A	See Paint Schedule on G202	
P-7	Paint - Color 7	Sherwin Williams	See Paint Schedule on G202	SW7006 Extra White	N/A	See Paint Schedule on G202	
RB	Rubber Base	Ropee	Pinnacle	175 Slate	4"	N/A	
SC	Sealed Concrete	Sherwin Williams	See Paint Schedule on G202	Haze Gray	N/A	See Paint Schedule on G202	Add Shark Grip for added slip resistance.

WINDOW LEGEND



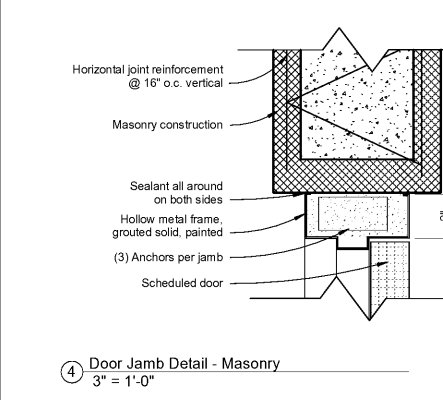
Number	Name	Area	Floor Finish	Base Finish	Finish Schedule				Ceiling Finish	Remarks
					Rear	Right	Front	Left		
1	Service	2188 SF	SC	None / RB	P-3	P-3	P-1 / P-4	Plywood & Batten Strips P-7	Paint P-1 up to 7'-4" and P-4 from 7'-4" to ceiling.	
2	Toilet	47 SF	SC	None / RB	P-3 / CT	P-3 / CT	P-3 / CT	Gyp. Bd. P-7	CT wainscot on wet wall. 4'-0" high.	
3	Storage	419 SF	SC	None	P-3	P-3	None	Plywood & Batten Strips P-7		
4	Tire Storage	431 SF	SC	None	P-3	P-3	None	Plywood & Batten Strips P-7		

- Finish Schedule for Additional Items:
- Doors & Frames: Paint P-3
 - Steel Bollards: P-6
 - Colling Doors: White
 - Downspouts/Gutters: Match roof
 - Electrical covers to be brushed aluminum
 - Paint all louvers to match adjacent finish
 - Keynote 16&17: P-1
 - Keynote 19 & 40: P-3
 - Keynote 15: P-1
 - Epoxy Grout: Mapel 47 charcoal
 - Roof: Berridge Royal Blue
 - Soffit: P-1
 - Door Hardware: Satin Chrome
 - Window Gaskets: Light Gray
 - Aluminum Storefront: Clear Anodized

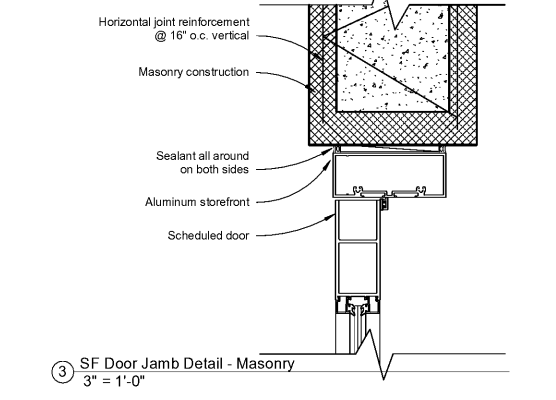


2 Door Head Detail - Masonry 3" = 1'-0"

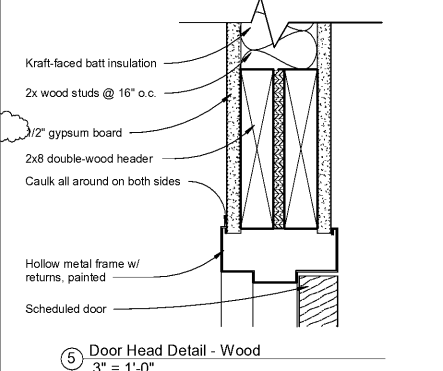
1 SF Door Head Detail - Masonry 3" = 1'-0"



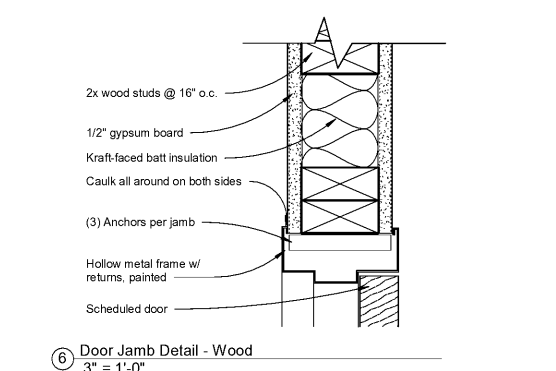
4 Door Jamb Detail - Masonry 3" = 1'-0"



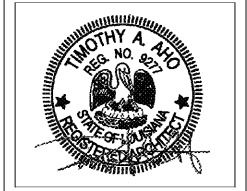
3 SF Door Jamb Detail - Masonry 3" = 1'-0"



5 Door Head Detail - Wood 3" = 1'-0"



6 Door Jamb Detail - Wood 3" = 1'-0"



Express Oil Change & Tire Engineers
 Service Building (Hurricane)
 2265 O'Neal Lane
 Baton Rouge, LA 70816

FINAL

No.	Description	Date
1	ASI #1	09/23/2020

© 2020 Aho Architects, LLC. All Rights Reserved.

Schedules

Project number	20025
Date	08/27/2020
Drawn by	ARC
Checked by	TAA
Scale	As indicated