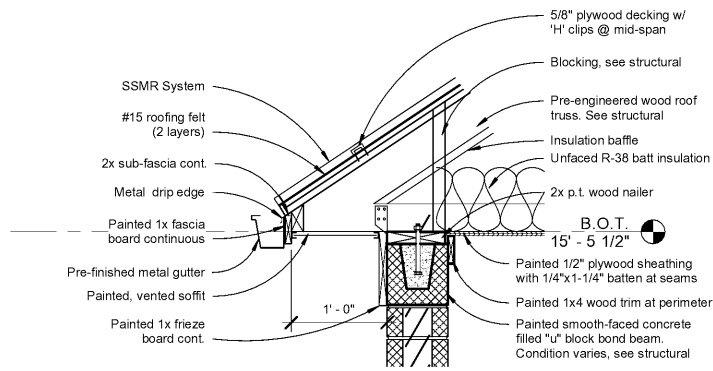
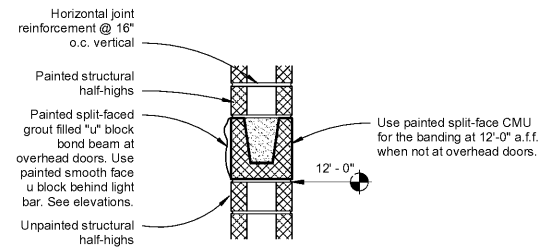


NOTE:

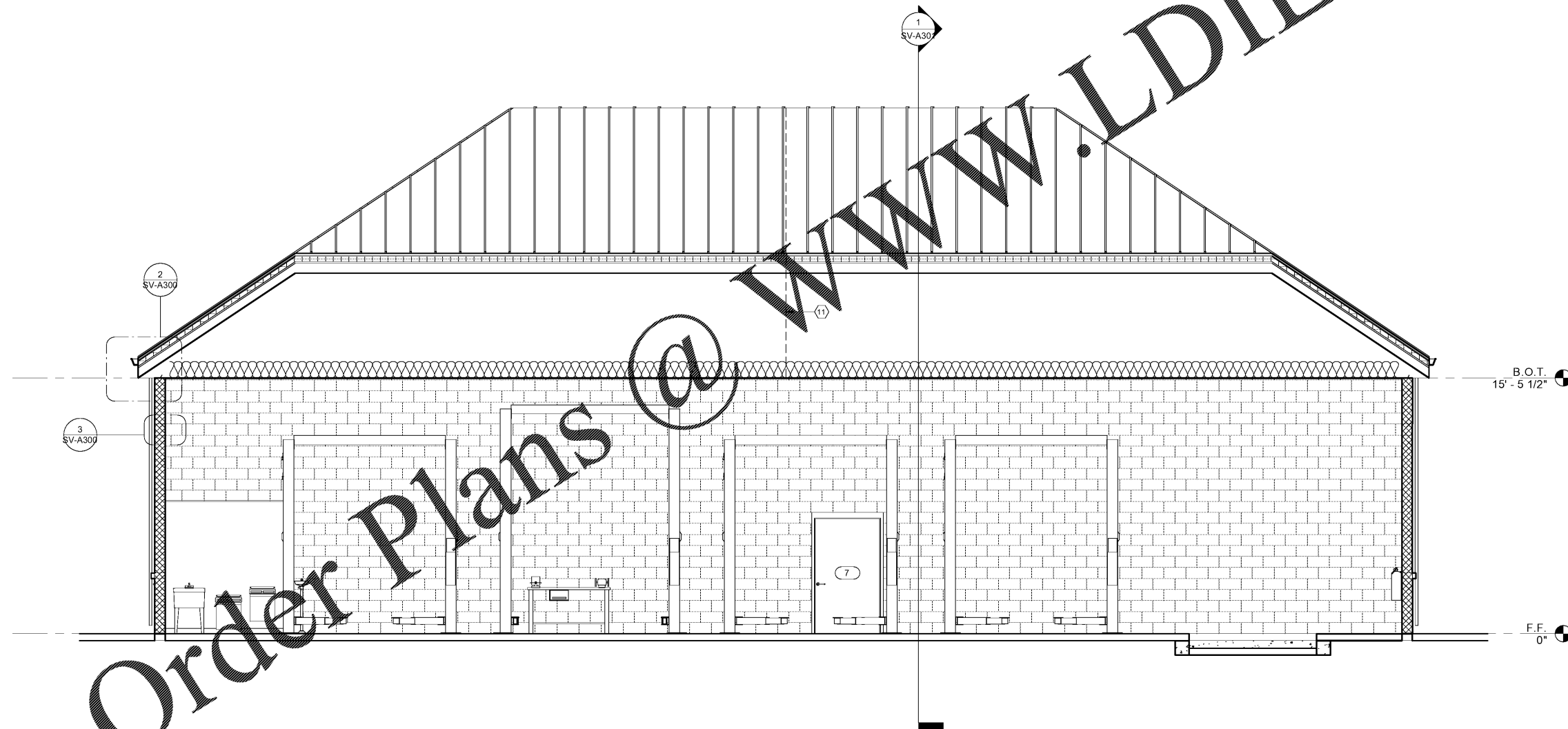
For clarity, typical or repetitive detail components / notes may not be shown on all wall sections or detail drawings. Refer to large-scale details, drawings of similar conditions, or typical wall sections and specifications for these items.



2 Typical Eave Detail  
1" = 1'-0"



3 Typical Accent Course  
1" = 1'-0"



1 Section 1  
1/4" = 1'-0"



Express Oil Change & Tire Engineers  
Service Building (Hurricane)  
2265 O'Neal Lane  
Baton Rouge, LA 70816

FINAL

No.	Description	Date

© 2020 Aho Architects, LLC.  
All Rights Reserved.

Building Sections

Project number 20025  
Date 08/27/2020  
Drawn by EM  
Checked by TAA

SV-A300

Scale As indicated