



Express Oil Change & Tire Engineers
 Right Hand Oil Change Building (Hurricane)
 2265 O'Neal Lane
 Baton Rouge, LA 70816

FINAL

No.	Description	Date

© 2020 Aho Architects, LLC. All Rights Reserved.

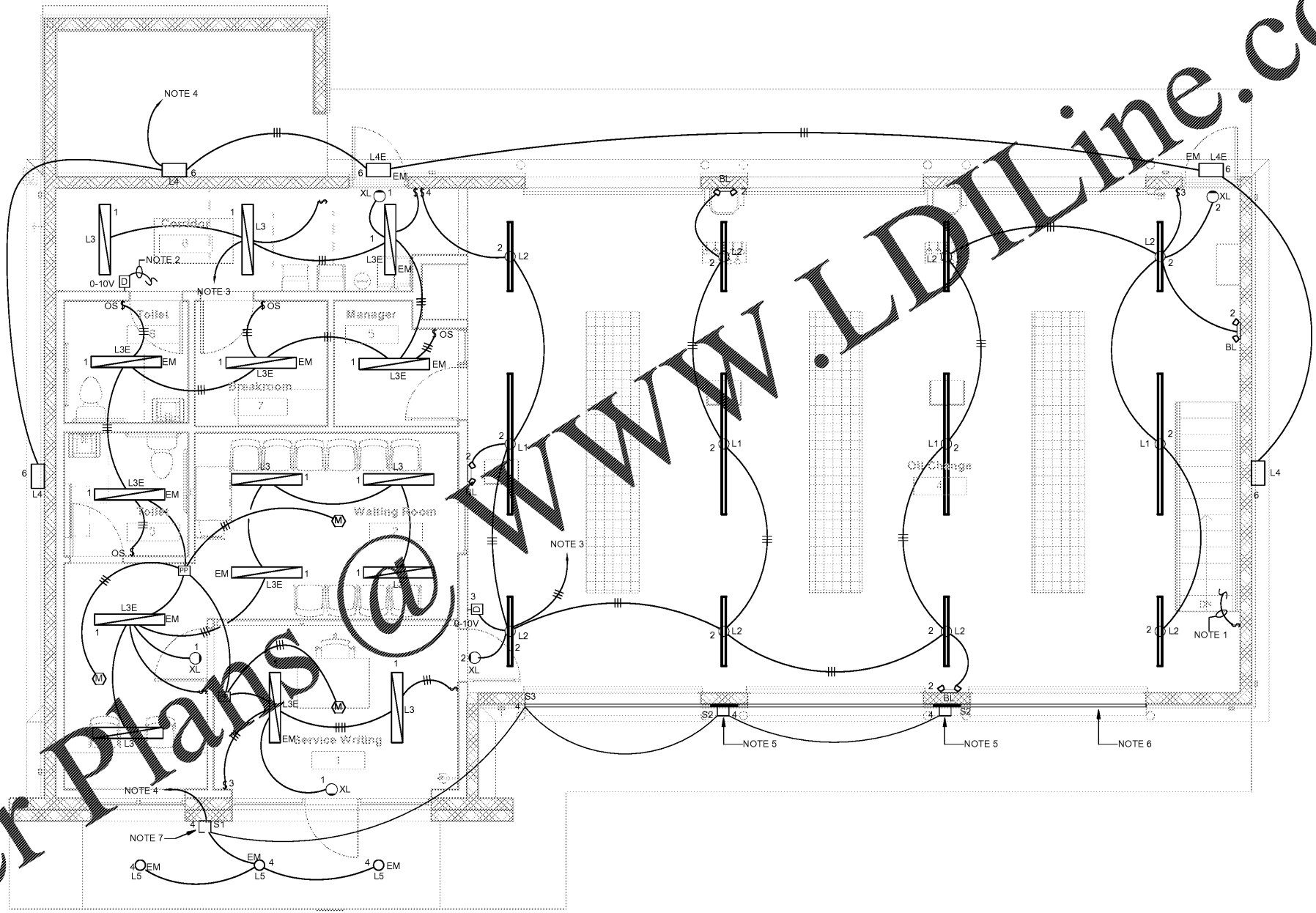
Ground Floor Plan - Lighting

Project number	20025
Date	08/27/2020
Drawn by	TH
Checked by	NB

OC-E200
 Scale 1/4" = 1'-0"



- GENERAL NOTES:**
- CONNECT ALL "BL" AND "XL" LIGHT FIXTURE TO UNSWITCHED HOT LEG OF CIRCUIT.
 - GENERAL OFFICES, STORAGE, AND BREAK ROOM OCCUPANCY SENSORS SHALL BE SET TO MANUAL ON.
 - OIL CHANGE BUILDING IS CLASSIFIED AS MINOR REPAIR GARAGE.
- NOTES:**
- CONNECT TO PIT LIGHTING. SEE SHEET OC-E201 FOR CONTINUATION
 - CONNECT TO EQUIPMENT PLATFORM LIGHTING. SEE SHEET OC-E201 FOR CONTINUATION.
 - HOMERUN TO 20A 1POLE CIRCUIT BREAKER IN PANELBOARD PPOC THROUGH LIGHTING CONTACTOR OC-1. SEE DETAIL ON SHEET OC-E102.
 - HOMERUN TO 20A 1POLE CIRCUIT BREAKER IN PANELBOARD PPOC THROUGH LIGHTING CONTACTOR OC-2. SEE DETAIL ON SHEET OC-E102.
 - JUNCTION BOX FOR SIGN COMPANY PROVIDED FIXTURE SHALL BE FLUSH MOUNTED AT 60" ABOVE GRADE ON CENTER.
 - JUNCTION BOX FOR SIGN COMPANY PROVIDED FIXTURE SHALL BE MOUNTED 6" TO 8" INSIDE OF CLOSED BAY DOOR. COORDINATION WITH SIGN LIGHTING INSTALLER BEFORE ROUGHING IN.
 - COORDINATION LOCATION OF JUNCTION BOX SIGN COMPANY PROVIDED FIXTURE WITH SIGN LIGHTING INSTALLER BEFORE ROUGHING IN.



Order Plans @ www.LDILine.com

1 Ground Level - Lighting
 1/4" = 1'-0"

