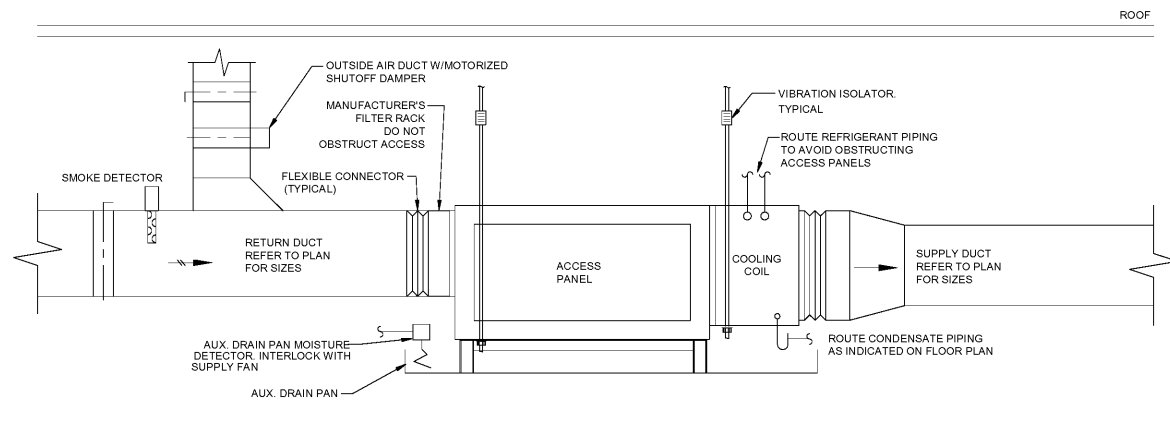




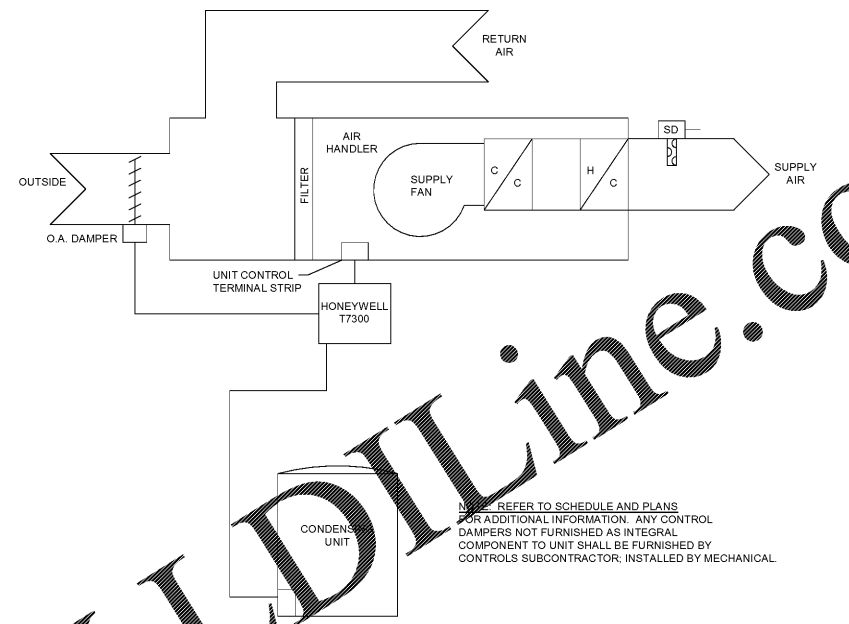
Engineering & Design Consultants  
 2111 Parkway Office Circle, Suite 125  
 Birmingham, AL 35244  
 (205) 733-6912 FAX: (205) 733-6913  
 Job No. 20163



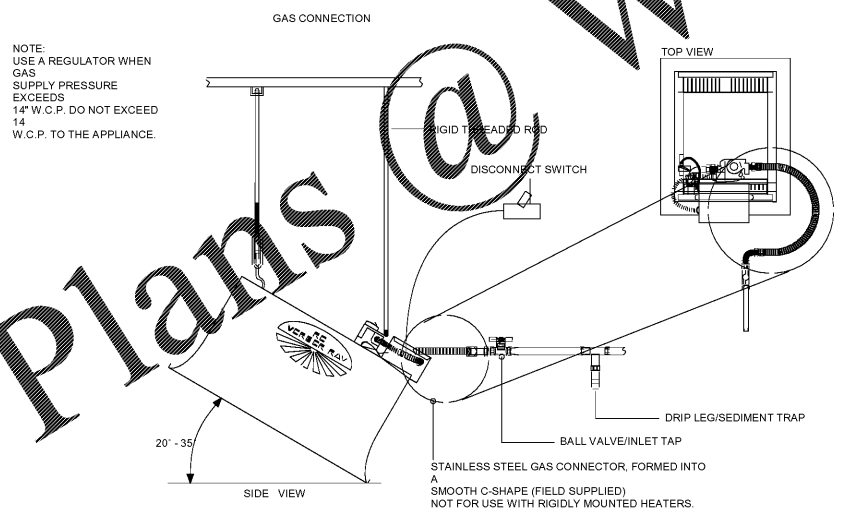
08/27/2020



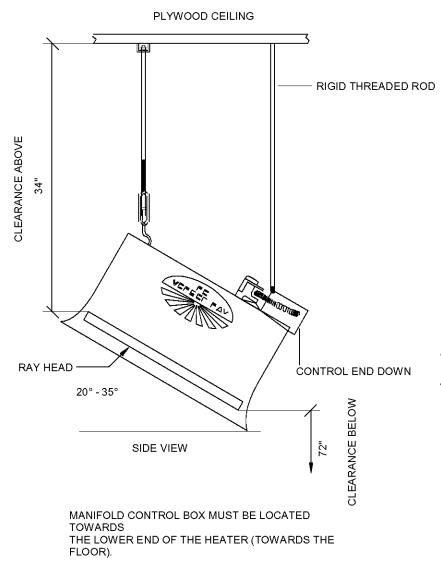
3 INDOOR AHU UNIT DETAIL  
 M2.02 NO SCALE



1 HAC CONTROL DIAGRAM  
 M2.02 NO SCALE



4 RADIANT HEATER GAS CONNECTION DETAIL  
 M2.02 NO SCALE



DISTANCE TO COMBUSTIBLES				
MODEL NO.	SIDES	BACK	TOP	BELOW/FRONT
DR 50	30	18	34	72

2 RADIANT HEATER MOUNTING DETAIL  
 M2.02 NO SCALE

Order Plans @ WWW.LDILine.com

Express Oil Change & Tire Engineers  
 Right Hand Oil Change Building (Hurricane)  
 2265 O'Neal Lane  
 Baton Rouge, LA 70816

FINAL

No.	Description	Date

© 2020 Aho Architects, LLC. All Rights Reserved.

Mechanical Details

Project number	20025
Date	08/27/2020
Drawn by	CA
Checked by	JB
<b>OC-M2.02</b>	
Scale	12" = 1'-0"