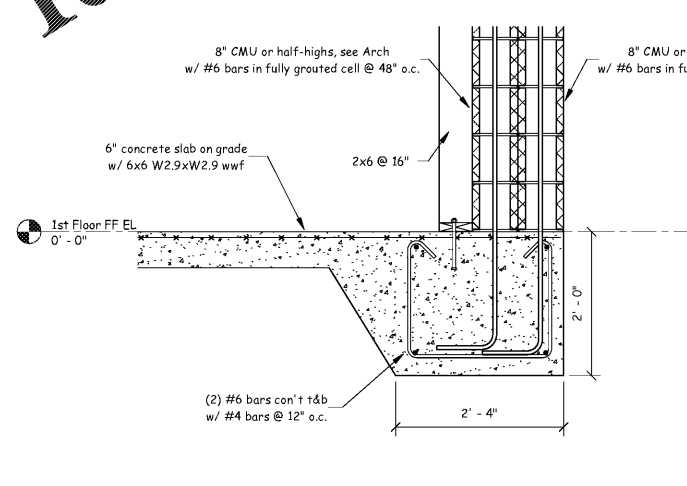
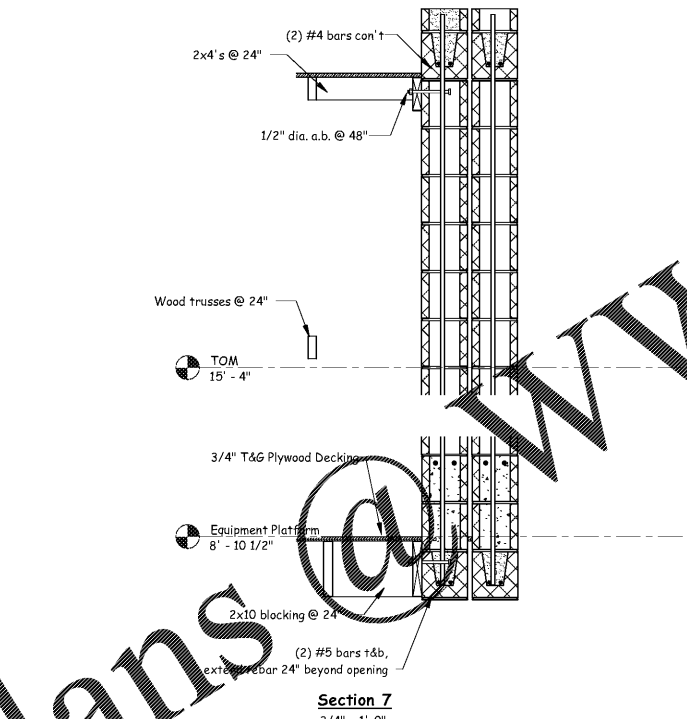
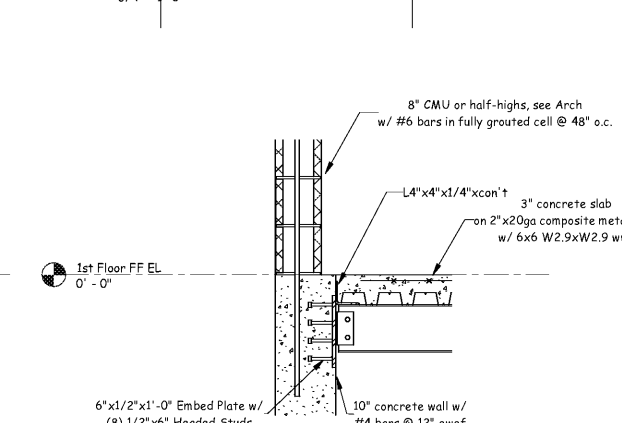
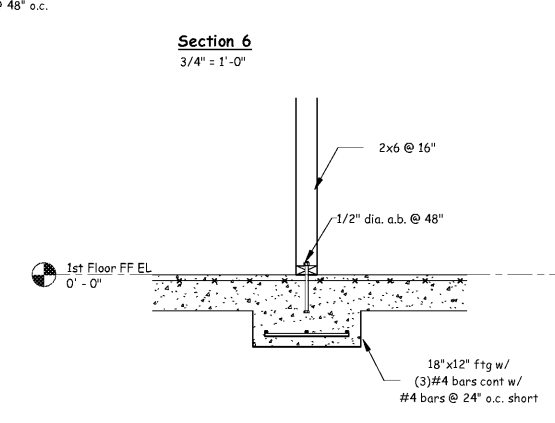
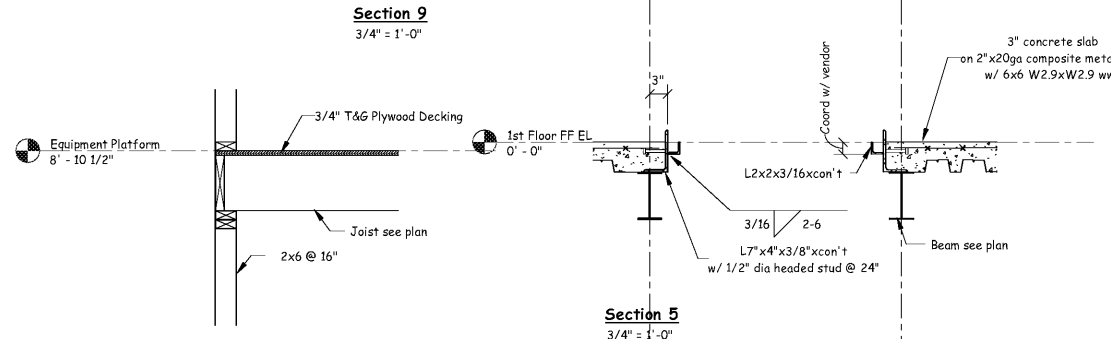
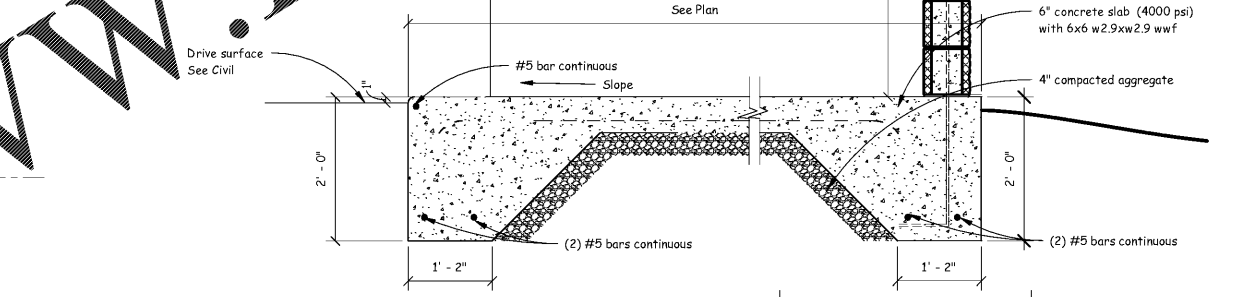
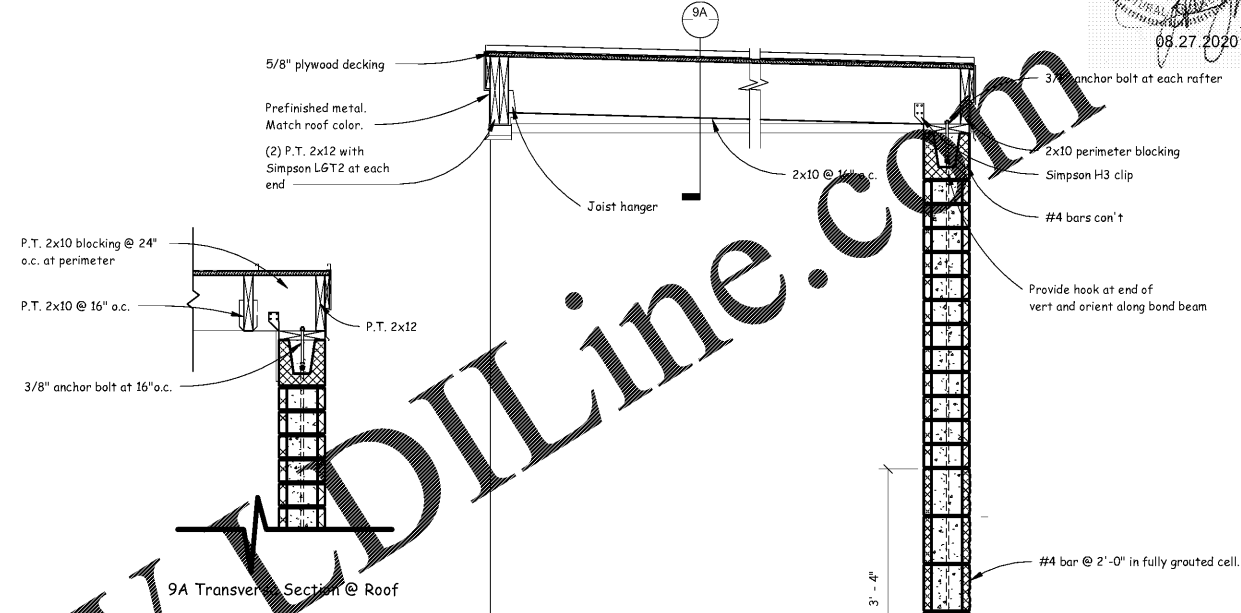


Dumpster Enclosure Plan
1/4" = 1'-0"



Section 3
3/4" = 1'-0"

Section 6
3/4" = 1'-0"

Section 1
3/4" = 1'-0"

Order Plans @ www.LDLine.com

Express Oil Change & Tire Engineers
Right Hand Oil Change Building (Hurricane)
2265 O'Neal Lane
Baton Rouge, LA 70816

FINAL

No.	Description	Date

© 2020 Aho Architects, LLC. All Rights Reserved.

Sections and Details

Project number	20025
Date	08.27.2020
Drawn by	jcj
Checked by	jd
OC-S5.2	
Scale	As indicated