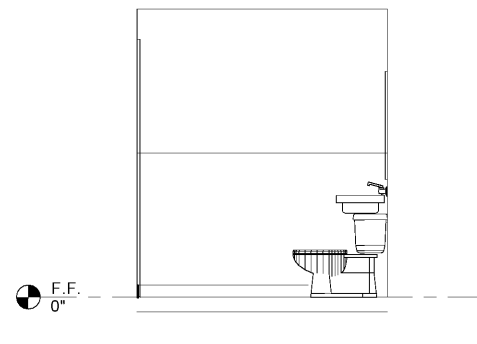
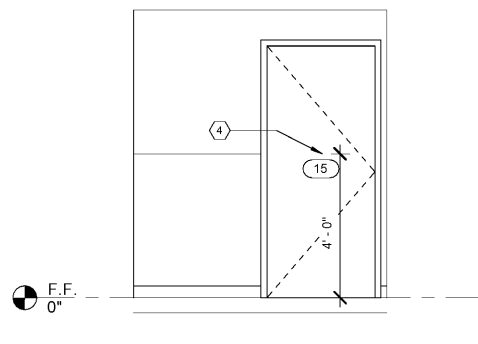
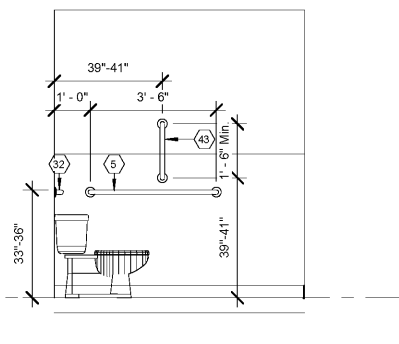
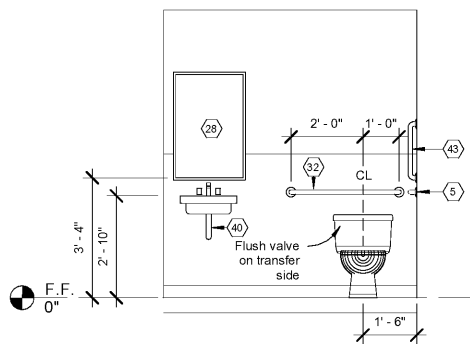


Note: All toilet accessories such as toilet paper dispensers, paper towel dispensers, and soap dispensers are by Owner.

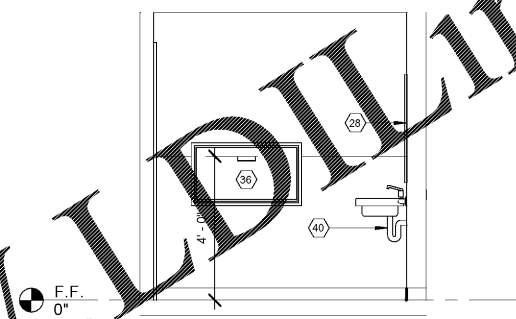
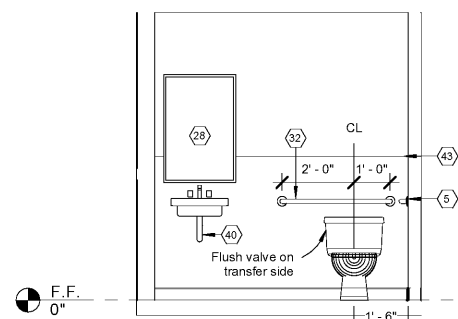
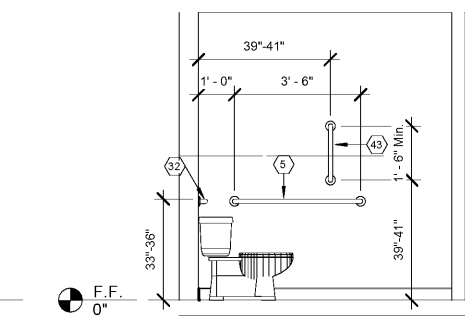
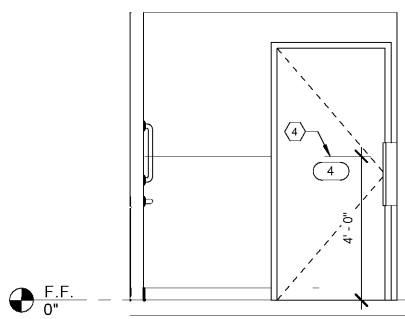


1 Interior Elevation (Front @ Toilet 8)  
3/8" = 1'-0"

2 Interior Elevation (Left @ Toilet 8)  
3/8" = 1'-0"

3 Interior Elevation (Rear @ Toilet 8)  
3/8" = 1'-0"

4 Interior Elevation (Right @ Toilet 9)  
3/8" = 1'-0"

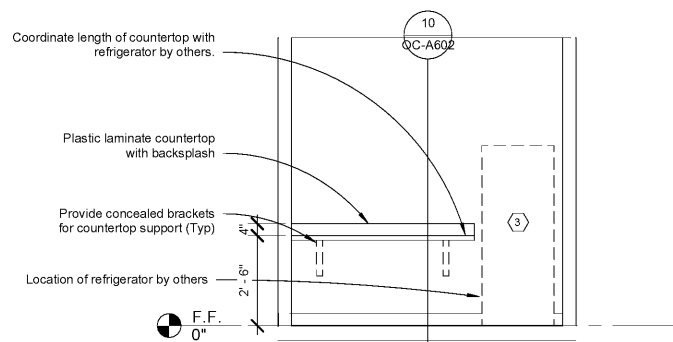


5 Interior Elevation (Front @ Toilet 3)  
3/8" = 1'-0"

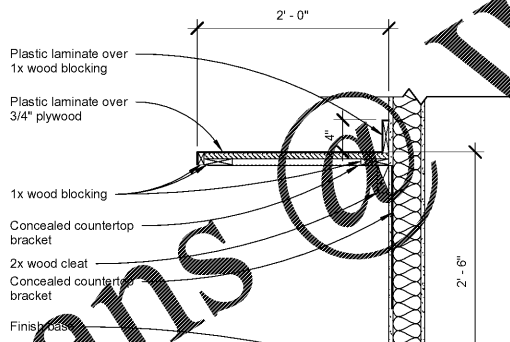
6 Interior Elevation (Right @ Toilet 3)  
3/8" = 1'-0"

7 Interior Elevation (Rear @ Toilet 3)  
3/8" = 1'-0"

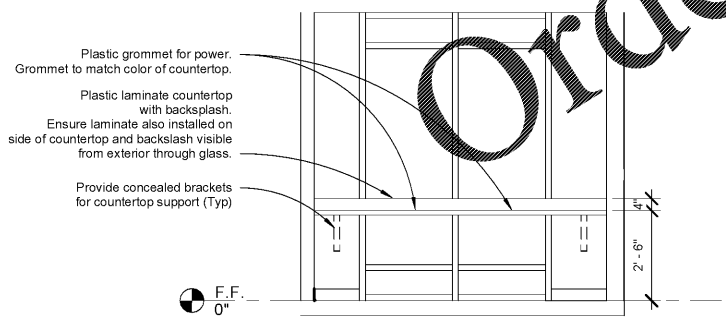
8 Interior Elevation (Left @ Toilet 3)  
3/8" = 1'-0"



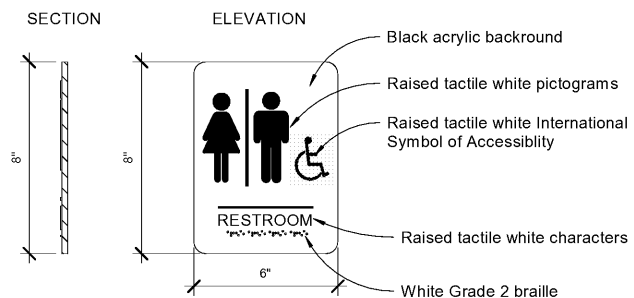
9 Breakroom Elevation  
3/8" = 1'-0"



10 Countertop Section  
1" = 1'-0"

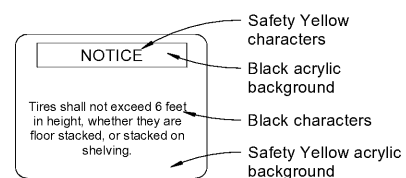
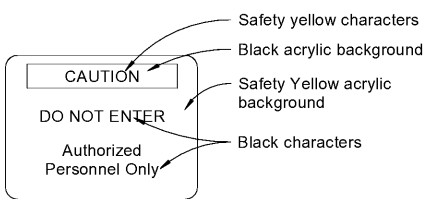
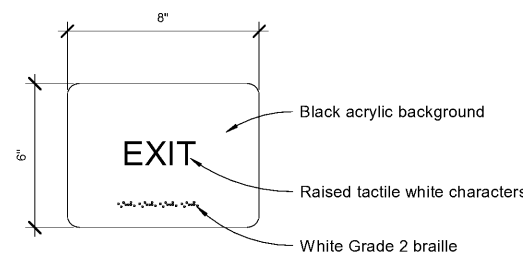


11 Waiting Room Countertop  
3/8" = 1'-0"



12 Interior Signage  
3" = 1'-0"

Signage shall comply with Section 703 of the 2017 ICC/ANSI A117.1



Express Oil Change & Tire Engineers  
Right Hand Oil Change Building (Hurricane)  
2265 O'Neal Lane  
Baton Rouge, LA 70816

FINAL

No.	Description	Date

© 2020 Aho Architects, LLC. All Rights Reserved.

Interior Elevations	
Project number	20025
Date	08/27/2020
Drawn by	ARC
Checked by	TAA
<b>OC-A602</b>	
Scale	As indicated