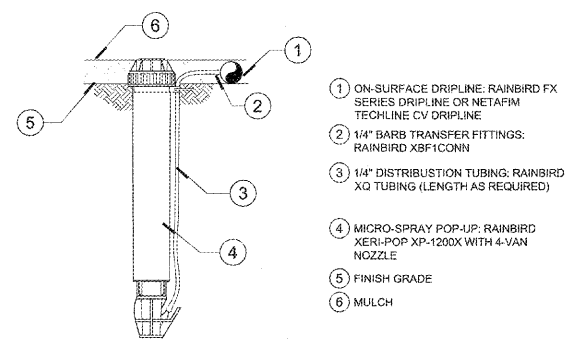
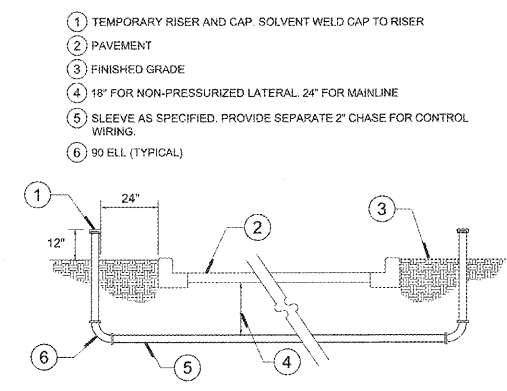
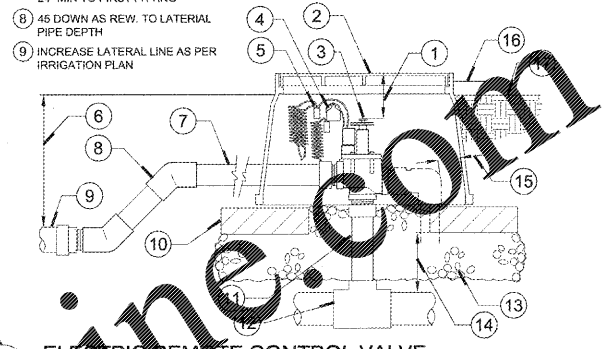


**DETAIL NOTES:**  
 1. ALL P.V.C. PIPING SHALL BE SNAKED IN TRENCHES.  
 2. ALL WIRING TO BE INSTALLED PER LOCAL CODES.  
 3. ALL WIRING TO BE BUNDLED AND TAPED AT 10' INTERVALS.  
 4. ALL MAIN SUPPLY LINES TO BE INSTALLED AS PER MANUFACTURER'S SPECIFICATIONS.  
 5. PROVIDE PIPE AND WIRE SLEEVING UNDER ALL PAVED SURFACES. WIRE SHALL BE WITHIN SEPARATE 2" ELECTRICAL CHASE.



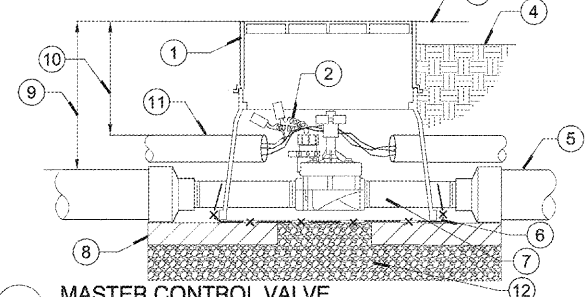
**NOTE:**  
 1. USE XERIMAN TOOL XM-TOOL TO INSERT BARB TRANSFER FITTING DIRECTLY INTO DRIPLINE TUBING.  
 2. VAN NOZZLE MAY BE SET TO CLOSED, OR IF IT IS DESIRED TO SEE SPRAY FROM THE NOZZLE, SET THE ARC TO 1/2" PATTERN. THE FLOW FROM THE NOZZLE, 0.3 GPM, SHOULD BE ACCOUNTED FOR IN THE SYSTEM DESIGN.

- 1 2" MIN, 4" MAX BELOW TOP OF BOX
- 2 10X15 RECTANGULAR VALVE BOX
- 3 REMOTE CONTROL VALVE, ONE PER BOX
- 4 PLASTIC I.D. TAG AT EACH VALVE
- 5 WATER PROOF CONNECTION: DBY WIRE CONNECTOR (RAINBIRD OR 3M) ON 30" LOOPED WIRES
- 6 12" BELOW GRADE
- 7 OUTLET PIPE SAME SIZE AS VALVE, 24" MIN TO FIRST FITTING
- 8 45 DOWN AS REV. TO LATERAL PIPE DEPTH
- 9 INCREASE LATERAL LINE AS PER IRRIGATION PLAN
- 10 CONCRETE BRICK SUPPORT, TWO ON EACH SITE
- 11 SCHEDULE 80 RISER
- 12 MAIN LINE
- 13 6" THICK LAYER OF PEA GRAVEL
- 14 4" CLEARANCE
- 15 2" CLEARANCE
- 16 3/4" ABOVE FINISH GRADE AT LAWN
- 17 2" ABOVE FINISH GRADE AT SHRUBS



**1 TRENCHING DETAIL**  
 N.T.S. DDG-GE-IR-01

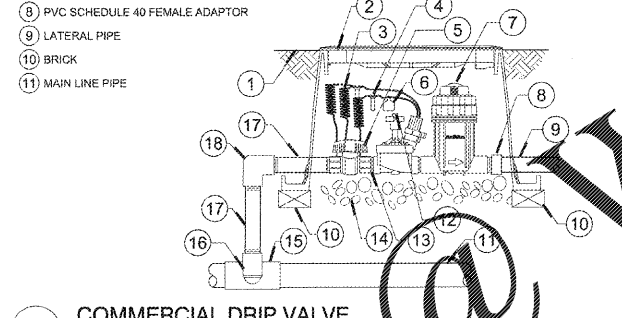
- 1 A.E.P. RECTANGULAR BOX #1015 WITH 6" EXTENSIONS AS NEEDED
- 2 WATER PROOF CONNECTION: DBY WIRE CONNECTOR (RAINBIRD OR 3M) ON 30" LOOPED WIRES
- 3 SET BOX FLUSH TO GRADE AT TURF
- 4 SET BOX 2" ABOVE GRADE AT SHRUBS
- 5 PVC MAIN LINE
- 6 1/2" WIRE CLOTH GOPHER SCREEN. WRAP UP SIDES
- 7 SMT SCHEDULE 80 NIPPLES VALVE INLET SIZE
- 8 CONCRETE BLOCK CAPS, ONE EACH SITE
- 9 18" MINIMUM BELOW GRADE
- 10 12" MINIMUM BELOW GRADE
- 11 PVC CONDUIT FOR CONTROLLER WIRES
- 12 6" THICK LAYER OF PEA GRAVEL



**5 MASTER CONTROL VALVE**  
 N.T.S. DDG-GE-IR-05

**2 SLEEVE INSTALLATION DETAIL**  
 N.T.S. DDG-GE-IR-02

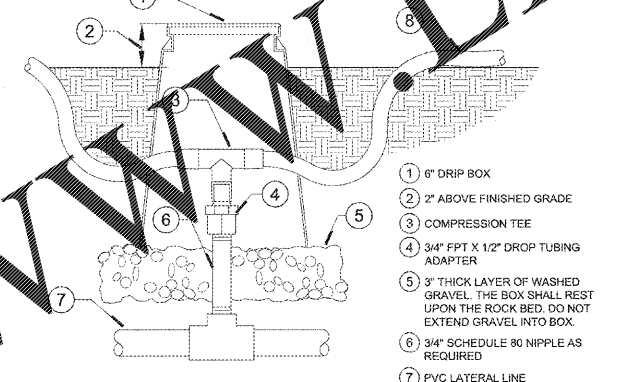
- 1 FINISH GRADE / TOP OF MULCH
- 2 VALVE BOX WITH COVER: HEAVY DUTY STANDARD BOX (1 VALVE) OR JUMBO BOX (2 VALVES)
- 3 30" LENGTH OF WIRE, COILED
- 4 WATER PROOF CONNECTION: DBY WIRE CONNECTOR (RAINBIRD OR 3M)
- 5 BALL VALVE TO MATCH VALVE SIZE (INCLUDED IN KIT)
- 6 ID TAG
- 7 PRESSURE REGULATING QUICK CHECK BASKET FILTER (INCLUDED IN KIT)
- 8 PVC SCHEDULE 40 FEMALE ADAPTOR
- 9 LATERAL PIPE
- 10 BRICK
- 11 MAIN LINE PIPE
- 12 REMOTE CONTROL VALVE, REF. IRRIGATION SCHEDULE FOR MODEL (INCLUDED IN KIT)
- 13 PVS SCHEDULE 80 NIPPLE, CLOSE (INCLUDED IN KIT)
- 14 3" MINIMUM DEPTH OF 3/4" WASHED GRAVEL
- 15 PVC SCHEDULE 40 TEE OR ELL
- 16 PVS SCHEDULE 80 NIPPLE (2" LENGTH, HIDDEN) AND PVC SCHEDULE 40 ELL
- 17 PVC SCHEDULE 80 NIPPLE (LENGTH AS REQUIRED)
- 18 PVC SCHEDULE 40 ELL



**6 COMMERCIAL DRIP VALVE**  
 N.T.S. DDG-GE-IR-06

**3 DRIPLINE OPERATION INDICATOR**  
 N.T.S. DDG-GE-IR-03

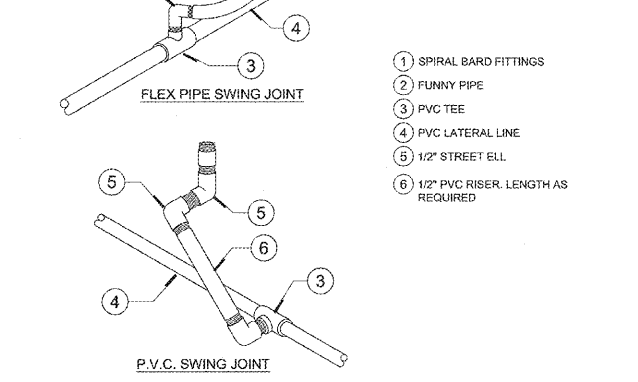
- 1 6" DRIP BOX
- 2 2" ABOVE FINISHED GRADE
- 3 COMPRESSION TEE
- 4 3/4" FPT X 1/2" DROP TUBING ADAPTER
- 5 3" THICK LAYER OF WASHED GRAVEL. THE BOX SHALL REST UPON THE ROCK BED. DO NOT EXTEND GRAVEL INTO BOX
- 6 3/4" SCHEDULE 80 NIPPLE AS REQUIRED
- 7 PVC LATERAL LINE
- 8 TYPICAL 1/2" DRIP TUBING



**7 DRIP ZONE CONTROL**  
 N.T.S. DDG-GE-IR-07

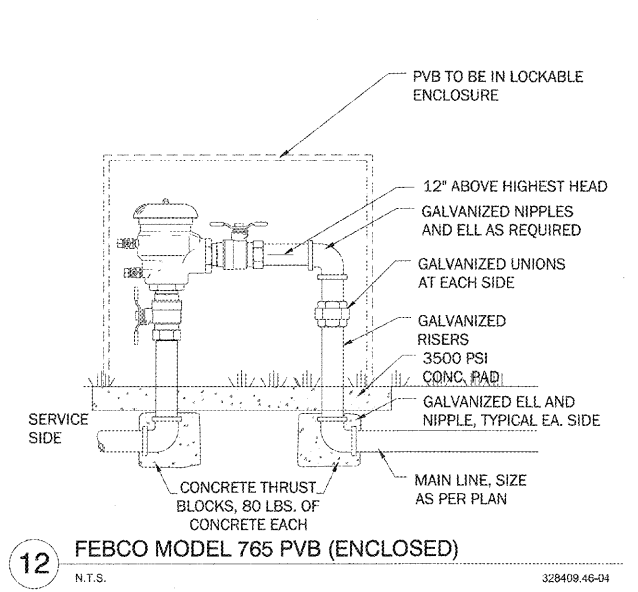
**4 ELECTRIC REMOTE CONTROL VALVE**  
 N.T.S. DDG-GE-IR-04

- 1 SPIRAL BARB FITTINGS
- 2 FUNNY PIPE
- 3 PVC TEE
- 4 PVC LATERAL LINE
- 5 1/2" STREET ELL
- 6 1/2" PVC RISER, LENGTH AS REQUIRED



**8 HEAD TO LATERAL CONNECTION**  
 N.T.S. DDG-GE-IR-08

- 1 RAIN BIRD ESP-SMT4 OUTSIDE WALL MOUNT
- 2 1-INCH PVC SCH 40 CONDUIT AND FITTINGS
- 3 WIRES TO REMOTE CONTROL VALVES AND SENSOR
- 4 OPTIONAL MODULES FOR 15-STATION CONTROLLER
- 5 CONNECTION FOR WIRES FROM SENSOR
- 6 JUNCTION
- 7 1/2-INCH PVC SCH 40 CONDUIT TO P.V.C. CONDUIT TO REMOTE CONTROL VALVE
- 8 WIRE CONNECTOR (OPTIONALLY)



- 1 RAIN BIRD WR2 WIRELESS SENSOR CONTROLLER INTERFACE
- 1. FOR BEST PERFORMANCE, THE CONTROLLER INTERFACE SHOULD BE INSTALLED AT LEAST FIVE FEET ABOVE THE GROUND.
- 2. IT IS RECOMMENDED THAT THE CONTROLLER INTERFACE BE INSTALLED AWAY FROM SOURCES OF ELECTRICAL INTERFERENCE (SUCH AS TRANSFORMERS, GENERATORS, PUMPS, FANS, ELECTRICAL METER BOXES) AND METAL OBJECTS TO MAXIMIZE COMMUNICATION RANGE.
- 3 RAIN BIRD WR2 SENSOR
- 1. SENSOR SHOULD BE INSTALLED ON BUILDING OR LIGHT POST, AT MINIMUM 15 FEET IN HEIGHT.
- 2. SENSOR SHOULD NOT BE MOUNTED UNDER TREES, EAVES, OR IN AREAS AFFECTED BY SPRINKLER SYSTEM OPERATION.

**9 SMART CONTROLLER: ESP-4ME**  
 1" = 1'-0" DDG-GE-IR-17

- 1 TURF POP UP HEAD, 1/2" MARLEX STREET ELL, BARB ELL X MIPT, 1/2" MARLEX STREET ELL
- 2 1/2" POLYETHYLENE FLEXIBLE TUBING, LENGTH AS REQUIRED.
- 3 PVC TEE (5X5XT) OR ELL
- 4 LATERAL LINE

**10 RAIN BIRD WR2 WIRELESS SENSOR**  
 N.T.S. DDG-GE-IR-62

- 1 PVB TO BE IN LOCKABLE ENCLOSURE
- 2 12" ABOVE HIGHEST HEAD
- 3 GALVANIZED NIPPLES AND ELL AS REQUIRED
- 4 GALVANIZED UNIONS AT EACH SIDE
- 5 GALVANIZED RISERS
- 6 3500 PSI CONC. PAD
- 7 GALVANIZED ELL AND NIPPLE, TYPICAL EA. SIDE
- 8 MAIN LINE, SIZE AS PER PLAN
- 9 CONCRETE THRUST BLOCKS, 80 LBS. OF CONCRETE EACH

**11 TURF SPRAY FLEX ASSEMBLY**  
 N.T.S. 326403.13-02

**12 FEBCO MODEL 765 PVB (ENCLOSED)**  
 N.T.S. 326409.46-04

REVISION	BY

8352 Bluebonnet Blvd.  
 Baton Rouge, La 70810  
 Office: 225-751-4490  
 Fax: 225-751-4495  
 www.ddgpc.com



Signature: *[Signature]*  
 DATE: 9/8/2020

PROPOSED EXPRESS OIL CHANGE  
 BATON ROUGE, LOUISIANA  
 EAST BATON ROUGE PARISH  
 FOR EXPRESS OIL CHANGE  
 BIRMINGHAM, ALABAMA

DRAWN CTV
CHECKED CDD
ISSUED DATE 09-09-2020
ISSUED FOR PERMIT
PROJECT NO. 20-197
FILE 20-197 L-2 Irrigation Plan

SHEET  
**L-2.2**

CALL LOUISIANA ONE CALL - 1-800-272-3020  
 LOUISIANA STATE LAW, SECTION R.S. 48:1742.12, REQUIRES EXCAVATORS & DEMOLISHERS TO NOTIFY A REGIONAL NOTIFICATION CENTER BY TELEPHONE 48 HOURS IN ADVANCE OF ANY EXCAVATION OR DEMOLITION ACTIVITY. THE OWNERS/OPERATORS OF ANY UNDERGROUND FACILITY MUST THEN MARK THE AREA OR PROVIDE INFORMATION THAT WILL ENABLE AN EXCAVATOR OR DEMOLISHER TO DETERMINE THE LOCATION OF UNDERGROUND FACILITIES.

**IRRIGATION DETAILS**

L:\PROJECTS\20-000\20-197 Express Oil, BTR\103-80-80-187 L-2 Irrigation Plans.dwg