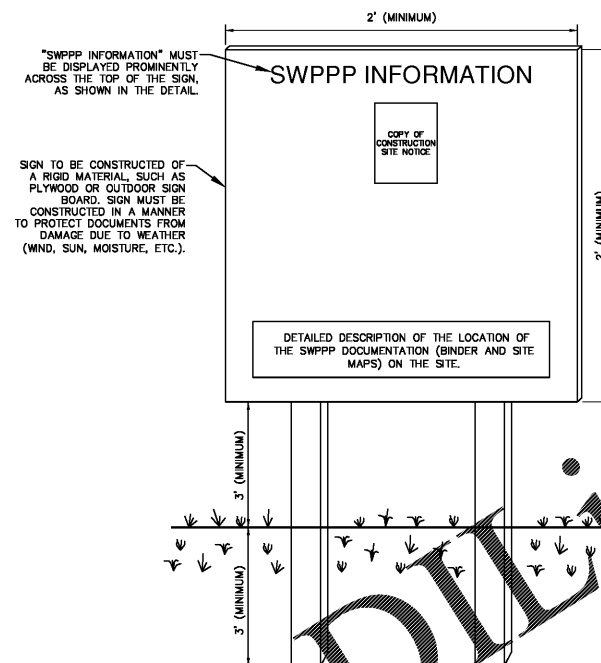
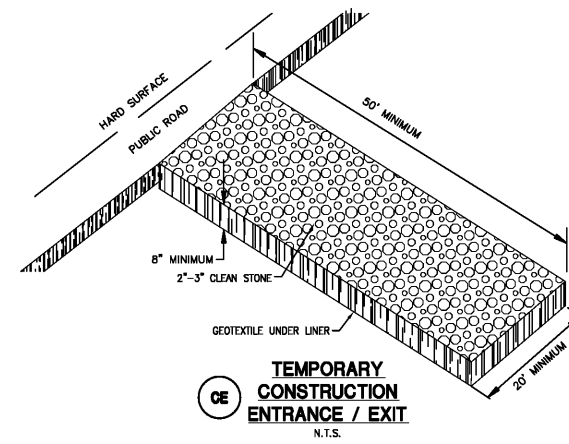


Order Plans @ www.onlinedesign.com

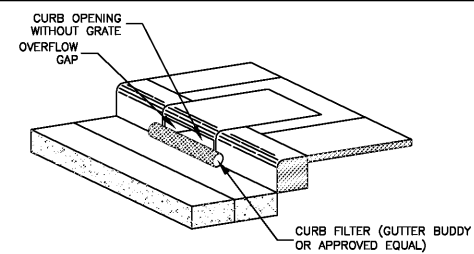


- NOTES:
1. THE SWPPP INFORMATION SIGN MUST BE LOCATED IN A PROMINENT, PUBLICLY ACCESSIBLE LOCATION NEAR THE MAIN ENTRANCE OF THE SITE, SUCH THAT THE DOCUMENTATION CAN BE READ WITHOUT ACCESSING THE JOBSITE, BUT NOT OBSTRUCTING VEHICLES TO CAUSE A TRAFFIC SAFETY HAZARD.
 2. ALL POSTED DOCUMENTS MUST BE MAINTAINED IN A CLEARLY READABLE CONDITION AT ALL TIMES THROUGHOUT CONSTRUCTION AND UNTIL THE PROJECT COMPLETION REPORT (PCR) IS FILED FOR THE PERMIT.
 3. ALL PAGES OF NOTICES OF INTENT AND PERMIT AUTHORIZATIONS MUST BE POSTED. THE CONTRACTOR MAY UTILIZE ACCESSIBLE WATERPROOF FOLDERS TO STORE THESE DOCUMENTS IF IT WILL BE DIFFICULT TO POST ALL PAGES INDIVIDUALLY.
 4. CONTRACTOR SHALL POST OTHER STORMWATER AND/OR EROSION AND SEDIMENT CONTROL RELATED PERMITS ON THE SIGN AS REQUIRED BY THE GOVERNING AGENCIES.
 5. SUBSEQUENT PERMIT MODIFICATION REQUESTS OR RENEWAL APPLICATIONS AND THEIR ASSOCIATED AUTHORIZATION CONDITIONS SHALL BE POSTED ON THE SWPPP SIGN.
 6. SIGN SHALL BE LOCATED OUTSIDE OF PUBLIC RIGHT-OF-WAY AND EASEMENTS UNLESS APPROVED BY THE GOVERNING AGENCY.
 7. CONTRACTOR IS RESPONSIBLE FOR ENSURING STABILITY OF THE SWPPP INFORMATION SIGN.

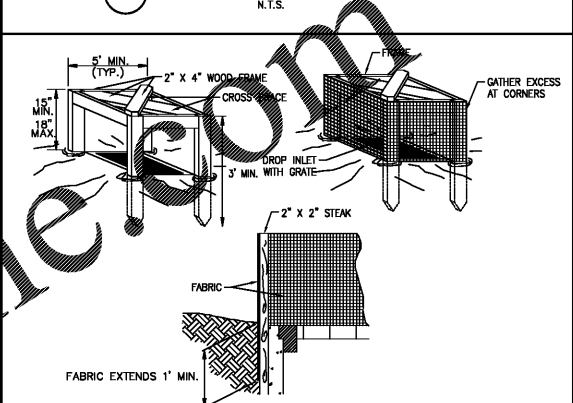
88 SWPPP INFORMATION SIGN
N.T.S.



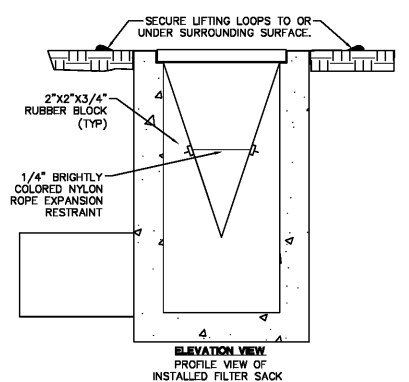
CE TEMPORARY CONSTRUCTION ENTRANCE / EXIT
N.T.S.



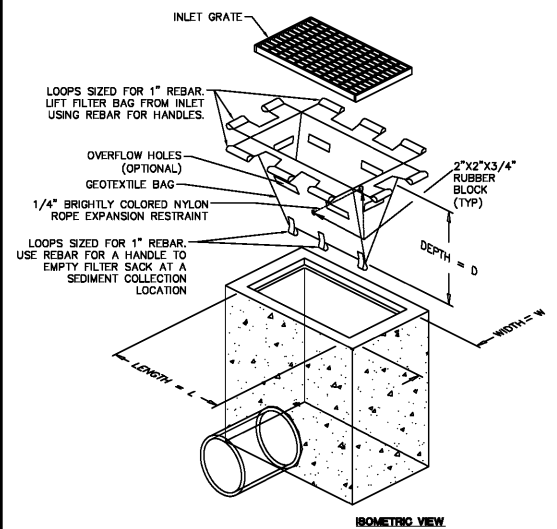
P CURB INLET PROTECTION
N.T.S.



P SILT FENCE INLET PROTECTION- UNPAVED AREAS
N.T.S.



ELEVATION VIEW PROFILE VIEW OF INSTALLED FILTER SACK



P INLET PROTECTION - PAVED AREAS

EROSION DETAILS



REVISION	BY

314 E. Bayou Road
Thibodaux, LA 70301
Office: 985.447.0090
Fax: 985.447.7009
www.ddgpc.com

Signature: *[Signature]*
DATE: 09-27-2020

PROPOSED EXPRESS OIL CHANGE
BATON ROUGE, LOUISIANA
EAST BATON ROUGE PARISH
FOR EXPRESS OIL CHANGE
BIRMINGHAM, ALABAMA

DRAWN GJP
CHECKED BAB
ISSUED DATE 09-27-2020
ISSUED FOR PERMIT
PROJECT NO. 20-197
FILE 20-197 C-5 DETAILS
SHEET C-5