

3 TRACK LIGHT STRIP SECTION
E-HUB1 NTS

LIGHTING FIXTURE SCHEDULE						
TYPE	DESCRIPTION	MOUNTING	VOLT	VA	LAMPS	REMARKS/NOTES
TR	LED TRACK LIGHT, SISTEMALUX JUNO TRACK FLOOD #1620J-SFS013902	TRACK HEAD	120	28.5	INCLUDED WITH UNIT	MOUNT ON JUNO TRACK. EC TO VERIFY TRACK LENGTH.
EM	SURFACE MOUNT EMERGENCY LITHONIA #ELM2 LED	SURF MTD	120	1	INCLUDED WITH UNIT	

GENERAL LIGHTING NOTES

- REPAIR/REPLACE ALL DAMAGED OR INOPERABLE EXISTING EXIT AND EMERGENCY LIGHT FIXTURES AND RECONNECT.
- CLEAN ALL LIGHTING FIXTURES. RELAMP AS NEEDED.
- ALL LIGHTING FIXTURES AND LAMPS PROVIDED AND INSTALLED BY THE EC.
- GC SHALL BE RESPONSIBLE TO MAINTAIN ALL AUXILIARY SYSTEMS
- AOR TO DO DUE DILIGENCE ON ALL EXISTING SPACES FOR ANNUNCIATORS AND PROBE LOCATIONS. GC TO VERIFY LOCATIONS WITH LOCAL FIRE MARSHAL OR REVIEWER.

(ALARM, MUSIC, CAMERAS, ETC.) IN AREAS OF CEILING REMOVAL/REWORK, INDEPENDENTLY SUPPORT EQUIPMENT UNTIL CEILING WORK IS COMPLETE AND REINSTALL. COORDINATE WITH CVS PM FOR PLACEMENT.

SYMBOL LEGEND (THIS SHEET ONLY)

SYMBOL	DESCRIPTION	MOUNTING HEIGHT
[Grid Pattern]	2X4 LIGHTS	
[Grid Pattern with Diagonal Lines]	2X4 LIGHTS WITH EMERGENCY BALLAST	
[Line with Arrow]	TRACK LIGHT	
[Dot]	MONOPOINT SPOT LIGHT	
[Circle with X]	SURFACE MOUNTED EMERGENCY LIGHT FIXTURE	
[Circle with X]	SURFACE MOUNTED EXIT FIXTURE LIGHT	
[Circle with S]	CEILING MOUNTED OCCUPANCY SENSOR	
[Circle with S]	OCCUPANCY SENSOR (COOPER CONTROLS #ONW-0-1001-DMV-W) SET TIME DELAY FOR 30 MINUTES	42" AFF UON
[Circle with S]	DIMMING SWITCH WITH OCCUPANCY SENSOR	42" AFF UON
NOT LABELED	EXISTING TO REMAIN	- N NEW LIGHT FIXTURE
R	EXISTING TO BE RELOCATED	- D DEMOLISHED

KEYED NOTES - HEALTH HUB LIGHTING

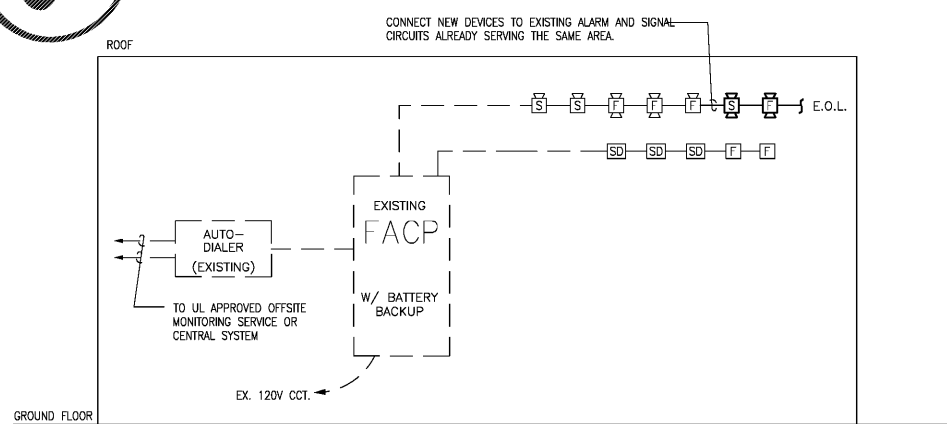
(L1) INSTALL NEW TRACK LIGHT(S) PER LARGE STRETCH OF WALL RECEIVING WALL COVERING TYPE W26 AT THE MINIMUM DISTANCE FROM 48" TO 53" OFF THE WALL. CENTER FIXTURE(S) TO THE WALL. TWIST THE FRONT FACE OF THE TRACK HEAD TOWARDS THE WALL GRAPHIC. CONNECT TO EMS ALONG WITH OTHERS RETAIL LIGHTING. DO NOT PROJECT TOWARD MONITORS OR DOORS. **COORDINATE EXACT LOCATION WITH PROJECT MANAGER PRIOR TO ROUGH-IN.**

(L2) INSTALL NEW TRACK LIGHT. CONNECT TO EMS/TIMER ALONG WITH OTHER RETAIL LIGHTING. REFER TO ARCH A-HUB2 FOR INSTALLATION SECTIONS.

(L3) PROVIDE TRELLIS/TRACK LIGHTING WITH A 3 AMP CURRENT LIMITER.

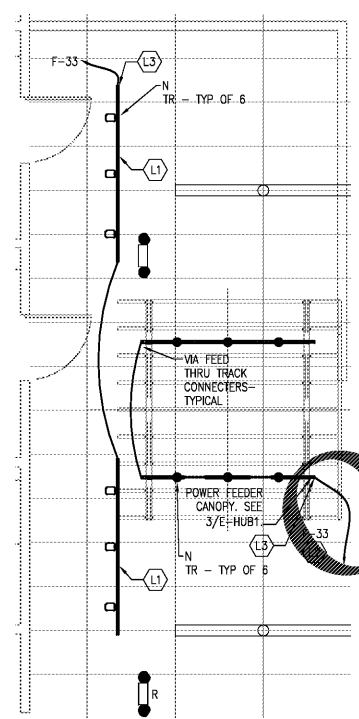
FIRE ALARM SYSTEM SYMBOL SCHEDULE

[S]	FIRE ALARM SYSTEM STROBE ONLY INDICATING DEVICE. ADA COMPLIANT. MOUNT 80" A.F.F. TO BOTTOM OF STROBE OR 6" BELOW FINISHED CEILING TO TOP OF STROBE, WHICHEVER IS LOWER. SUBSCRIPT INDICATES CANDELA RATING OF STROBE. ALL STROBES SHALL BE 110 CANDELA UNLESS OTHERWISE NOTED.
[S]	FIRE ALARM SYSTEM COMBINATION HORN/SPEAKER INDICATING DEVICE. ADA COMPLIANT. IF WALL-MOUNTED, MOUNT 80" A.F.F. TO BOTTOM OF STROBE OR 6" BELOW FINISHED CEILING TO TOP OF STROBE, WHICHEVER IS LOWER. SUBSCRIPT INDICATES CANDELA RATING OF STROBE. ALL STROBES SHALL BE 110 CANDELA UNLESS OTHERWISE NOTED.



2 PARTIAL FIRE ALARM RISER DIAGRAM
E-HUB1 SCALE: NOT TO SCALE

- FIRE ALARM RISER DIAGRAM NOTES:**
- ALL DEVICE QUANTITIES SHALL BE TAKEN OFF OF THE FLOOR PLANS. THE RISER DIAGRAM IS DIAGRAMMATIC ONLY.
 - ALL NEW FIRE ALARM INITIATING DEVICES SHALL MATCH EXISTING FIRE ALARM SYSTEM EQUIPMENT.
 - ALL FIRE ALARM WIRING SHALL BE PER MANUFACTURER'S RECOMMENDATIONS AND N.E.C. REQUIREMENTS.
 - INSTALLATION OF ALL WIRING, CONDUIT AND DEVICES SHALL BE IN ACCORDANCE WITH ALL APPLICABLE CITY CODES AND NFPA CODES.
 - PROVIDE ADDITIONAL CONTROL CARDS, POWER SUPPLIES, EXTENDER CABINET(S), etc. AS NEEDED TO ACCOMMODATE NEW DEVICES SHOWN ON PLANS. ANY ADDITIONAL CABINETS REQUIRED SHALL BE LOCATED AS DIRECTED BY OWNER.
 - ALL ITEMS SHOWN DASHED ARE EXISTING TO REMAIN.
 - UPON COMPLETION OF INSTALLATION, NEW SYSTEM DEVICES SHALL BE TESTED AND THE SYSTEM RE-CERTIFIED THAT IT IS IN FULL AND PROPER OPERATION. COORDINATE TESTING SCHEDULE WITH OWNER IN WRITING PRIOR TO TESTING.



1 ENLARGED LIGHTING PLAN
E-HUB1 1/4" = 1'-0"



HEALTH HUB/Rx CONSULTATION
STORE NUMBER: 4176

11 RIVER RIDGE DRIVE, OAKLEY PLAZA
ASHEVILLE, NC 28803
CAP CODE: 90

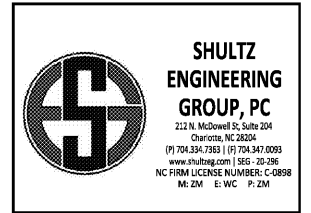
CS PROJECT NUMBER: 146740

ARCHITECT OF RECORD:

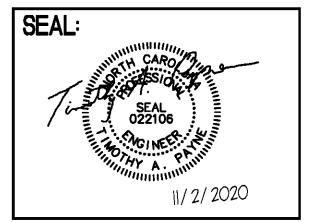


This drawing and the design shown are the property of Little Architectural Consulting. The reproduction, copying or other use of this drawing without their written consent is prohibited and any infringement will be subject to legal action.

Little 2019



DEVELOPER:



REVISIONS:

DRAWING BY: WC

CVS PROJECT MANAGER: RJ

DATE: 11-02-2020

JOB NUMBER: 121-14217-08

TITLE:

HEALTH HUB LIGHTING PLANS

SHEET NUMBER:

E-HUB1

COMMENTS: